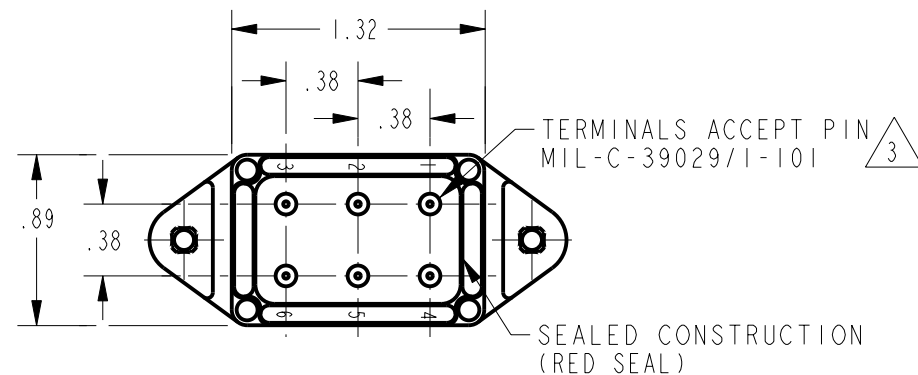
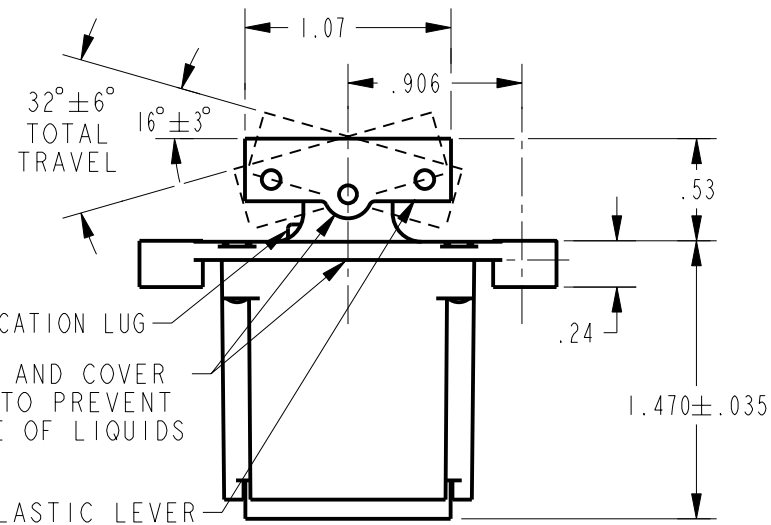
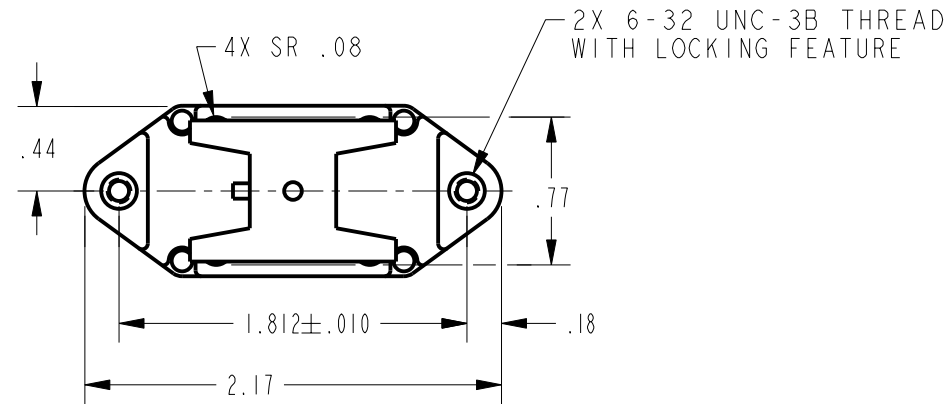
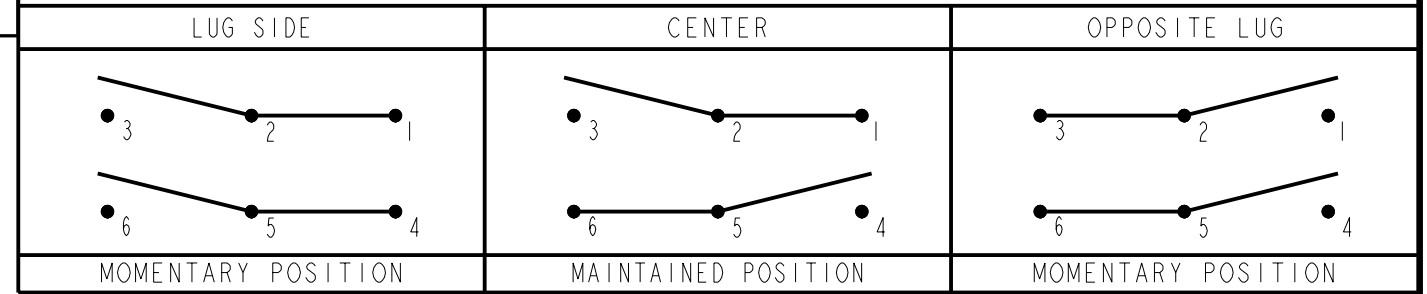


**SWITCH-TOGGLE
ABOVE PANEL MOUNT**

CATALOG LISTING
102TP82-70

THIS DRAWING COVERS A PROPRIETARY ITEM AND IS THE PROPERTY OF MICRO SWITCH. A DIVISION OF HONEYWELL. THIS DRAWING IS NOT TO BE COPIED OR USED WITHOUT THE APPROVAL OF MICRO SWITCH

CIRCUIT MADE WITH TOGGLE LEVER IN



ELECTRICAL DATA

L192 10A 125, 250, 277 VAC
1/4HP 125 VAC
1/2HP 250, 277 VAC
3A 125 VAC "L"

- NOTES
- 1 - CIRCUIT DESIGNATION AND MICRO SWITCH CATALOG LISTING MARKED ON SIDE OF SWITCH
 - 2 - SWITCHES ARE CAPABLE OF WITHSTANDING A TEMPERATURE OF 160°F CONTINUOUSLY AT FULL RATED LOAD
 - 3 - THE SEALING GROMMET SHALL SEAL ON A SMOOTH WIRE INSULATION OF ϕ .040 TO ϕ .083 (16-20 GAGE)
 - 4 - UNUSED TERMINAL HOLES MAY BE SEALED WITH PLUGS M83723/28-20

THIRD ANGLE PROJECTION

SCALE FULL

DO NOT SCALE PRINT

UNLESS OTHERWISE SPECIFIED TOLERANCES ARE

ONE PLACE	(.0)	±.030
TWO PLACE	(.00)	±.015
THREE PLACE	(.000)	±.005
ANGLES		±
WEIGHT		

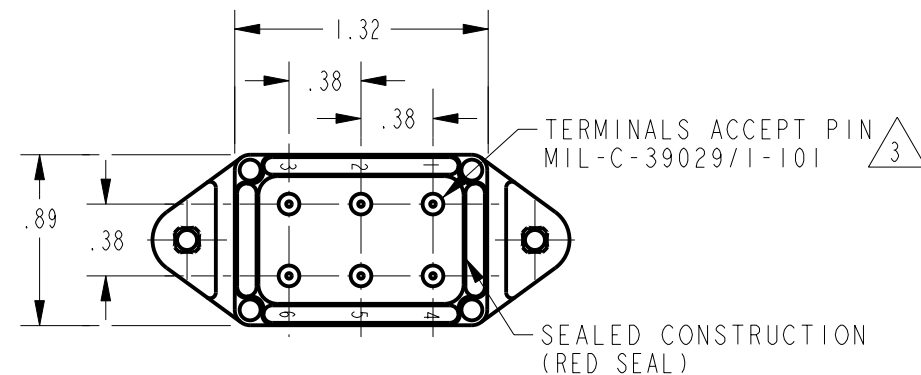
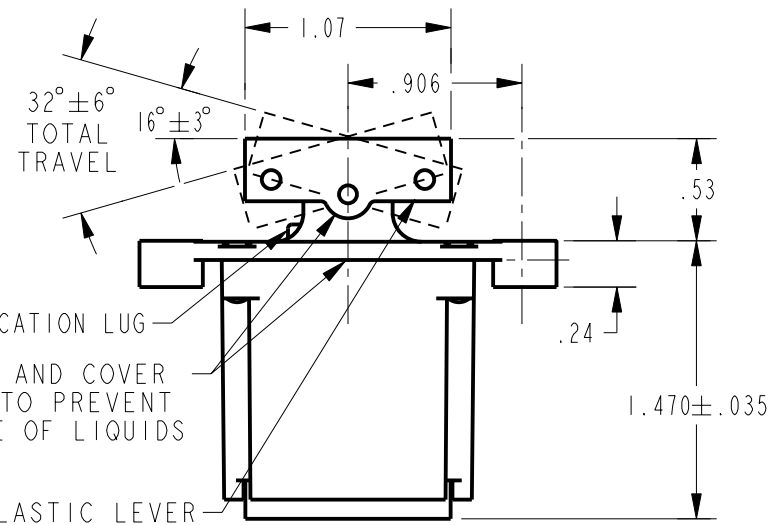
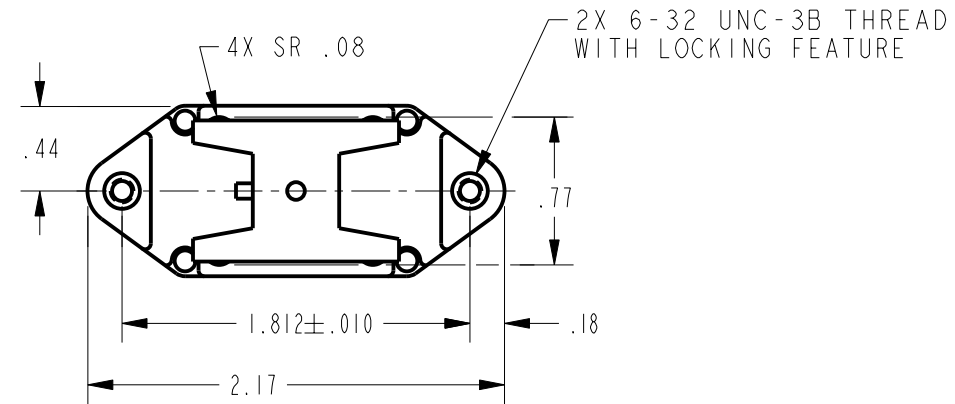
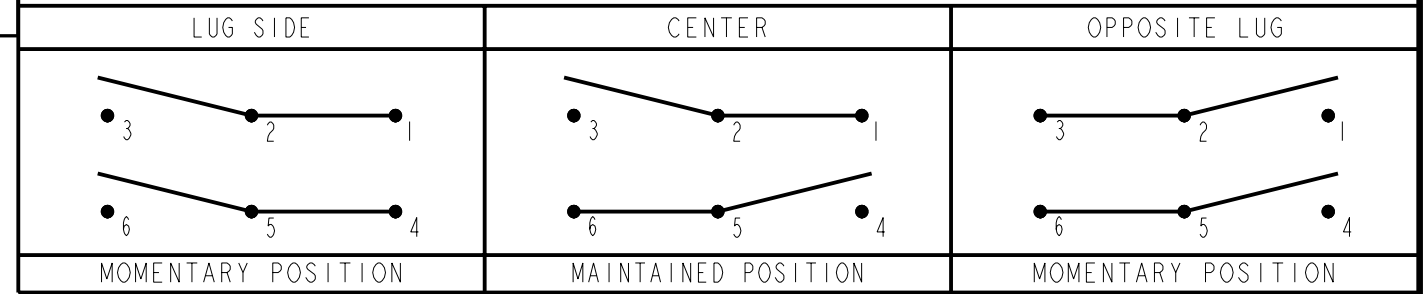
102TP82-70
 CATALOG LISTING
 PAGE 1 OF 1
 RELEAS NO. PR-20331
 ISSUE 4
 REVISIONS
 A 204633 TRF 08 JAN02
 PTC/CAD 2D
 DRAWN JLH
 CHECK IODECO1
 SAV IODECO1
 CHECK IODECO1

**SWITCH-TOGGLE
ABOVE PANEL MOUNT**

CATALOG LISTING
102TP82-70

THIS DRAWING COVERS A PROPRIETARY ITEM AND IS THE PROPERTY OF MICRO SWITCH. A DIVISION OF HONEYWELL. THIS DRAWING IS NOT TO BE COPIED OR USED WITHOUT THE APPROVAL OF MICRO SWITCH

CIRCUIT MADE WITH TOGGLE LEVER IN



ELECTRICAL DATA

L192 10A 125, 250, 277 VAC
1/4HP 125 VAC
1/2HP 250, 277 VAC
3A 125 VAC "L"

- NOTES
- 1 - CIRCUIT DESIGNATION AND MICRO SWITCH CATALOG LISTING MARKED ON SIDE OF SWITCH
 - 2 - SWITCHES ARE CAPABLE OF WITHSTANDING A TEMPERATURE OF 160°F CONTINUOUSLY AT FULL RATED LOAD
 - 3 - THE SEALING GROMMET SHALL SEAL ON A SMOOTH WIRE INSULATION OF ϕ .040 TO ϕ .083 (16-20 GAGE)
 - 4 - UNUSED TERMINAL HOLES MAY BE SEALED WITH PLUGS M83723/28-20

THIRD ANGLE PROJECTION

SCALE FULL

DO NOT SCALE PRINT

UNLESS OTHERWISE SPECIFIED TOLERANCES ARE

ONE PLACE	(.0)	±.030
TWO PLACE	(.00)	±.015
THREE PLACE	(.000)	±.005
ANGLES		±
WEIGHT		

PTC/CAD 2D
 DRAWN JLH
 IODECO1
 CHECK IODECO1
 SAV
 CHECK SAV
 IODECO1
 CHECK IODECO1
 TRF 08 JAN02
 A 204633
 REVISIONS
 CHECK
 ISSUE 4
 M
 CATALOG LISTING
 102TP82-70
 PAGE 1 OF 1
 RELEASE NO. PR-20331
 REPLACES -