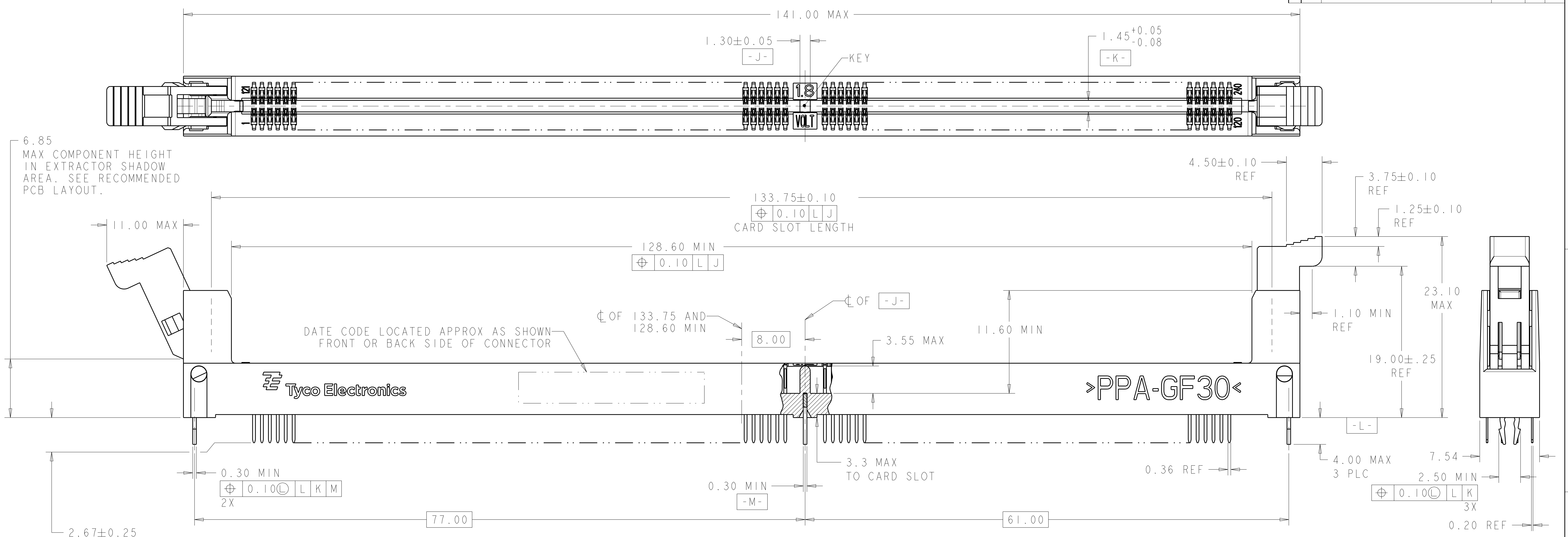
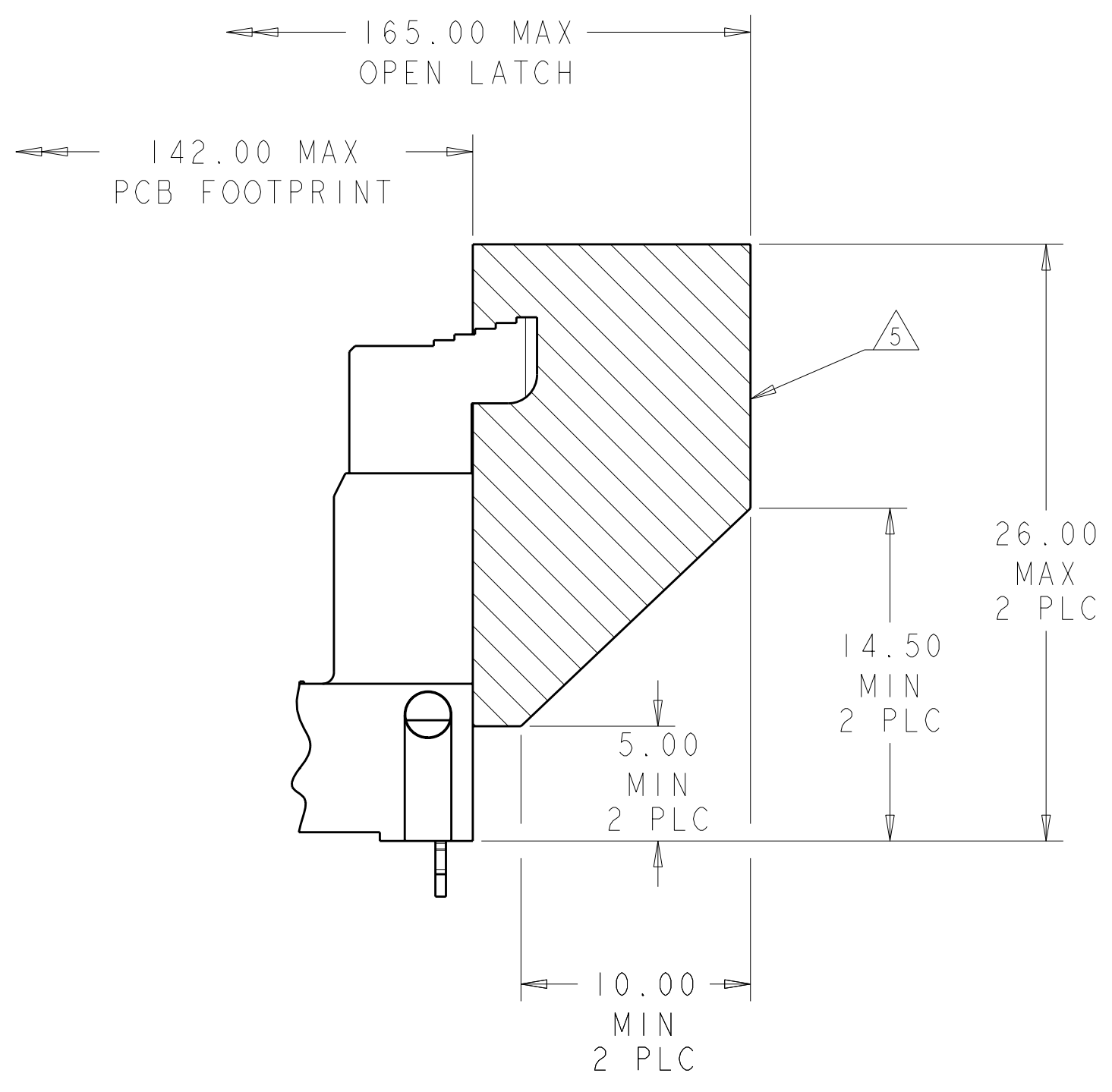


LOC	DIST	REV	DATE	BY	CHK	APPD
GP	00	A	20SEP2005	DRR	MY	
		B	06DEC2005	DRR	LZ	
		B2	12JUL10	D.S.	S.Y.	
		B3	27JUN2011	D.P.	C.W.	



- 2.67±0.25 FOR 1.60 (.063") THK PCB
- 3.18±0.25 FOR 2.36 (.093") THK PCB
- 4.00±0.25 FOR 3.18 (.125") THK PCB

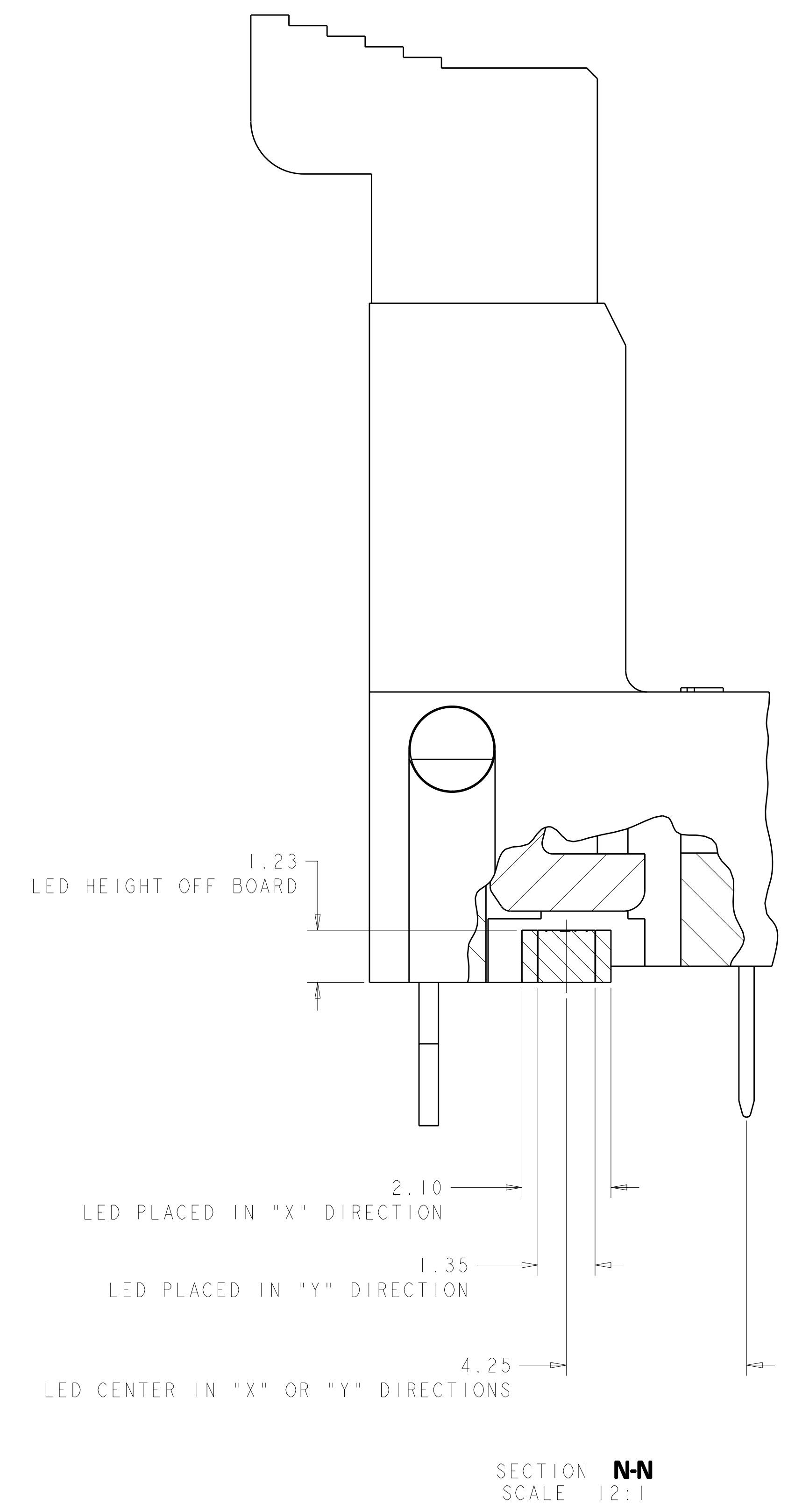
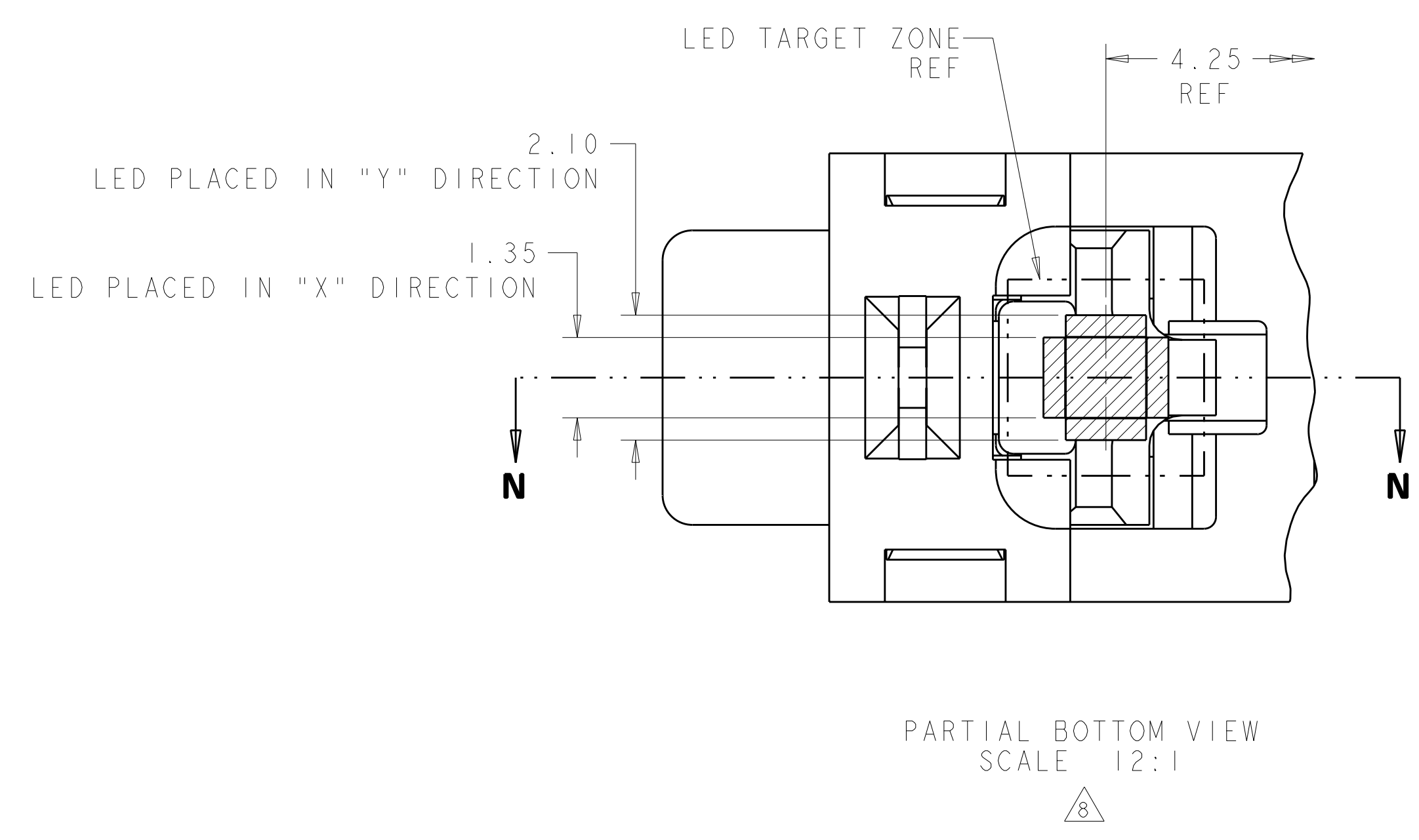


- MATERIALS:**
 HOUSING: HIGH TEMPERATURE NYLON, BLACK, UL94 V-0
 EXTRACTOR: HIGH TEMPERATURE THERMOPLASTIC
 CONTACTS: COPPER ALLOY
 RETENTION BARB: STAINLESS STEEL
- INTERFACE FINISH:**
 (1) 0.00076 MIN THK GOLD OVER 0.00127 MIN THK NICKEL
 (2) 0.00038 MIN THK GOLD OVER 0.00127 MIN THK NICKEL
 (3) 0.00008 MIN THK GOLD OVER 0.00127 MIN THK NICKEL
- FINISHED HOLE SIZE:** 0.15 MAXIMUM ANNULAR RING.
- KEEP OUT ZONE.**
- KEEP OUT AREA RESERVED FOR SOCKET EXTRACTORS, BOTH ENDS.**
- SOLDERTAIL FINISH:**
 0.00300 MIN THK BRIGHT TIN-LEAD OVER 0.00127 MIN THK NICKEL.
- SOLDERTAIL FINISH:**
 0.00300 MIN THK MATTE TIN OVER 0.00127 MIN THK NICKEL.
- LED LOCATION AS APPLICABLE PER CUSTOMER.**
- DATUM -G- IS CONNECTOR SIDE SURFACE OF PCB.**
- OBsolete PARTS: OBsolete CIS STREAMLINING PER D.RENAUD/D.SINISI**

Color	Finish	Thickness	Length	Part Number
BLACK	△	0.00038 MIN	4.00	2-1761024-4
BLACK	△	0.00038 MIN	3.18	2-1761024-3
BLACK	△	0.00038 MIN	2.67	2-1761024-2
BLACK	△	0.00038 MIN	4.00	2-1761024-1
BLACK	△	0.00038 MIN	3.18	2-1761024-0
BLACK	△	0.00038 MIN	2.67	1-1761024-9
BLACK	△	0.00038 MIN	4.00	1-1761024-8
BLACK	△	0.00038 MIN	3.18	1-1761024-7
BLACK	△	0.00038 MIN	2.67	1-1761024-6
BLACK	△	0.00038 MIN	4.00	1-1761024-5
OBsolete	△	0.00038 MIN	3.18	1-1761024-4
OBsolete	△	0.00038 MIN	2.67	1-1761024-3
OBsolete	△	0.00038 MIN	4.00	1-1761024-2
OBsolete	△	0.00038 MIN	3.18	1-1761024-1
OBsolete	△	0.00038 MIN	2.67	1-1761024-0
OBsolete	△	0.00038 MIN	4.00	1761024-9
OBsolete	△	0.00038 MIN	3.18	1761024-8
OBsolete	△	0.00038 MIN	2.67	1761024-7
OBsolete	△	0.00038 MIN	4.00	1761024-6
OBsolete	△	0.00038 MIN	3.18	1761024-5
OBsolete	△	0.00038 MIN	2.67	1761024-4
OBsolete	△	0.00038 MIN	4.00	1761024-3
OBsolete	△	0.00038 MIN	3.18	1761024-2
OBsolete	△	0.00038 MIN	2.67	1761024-1

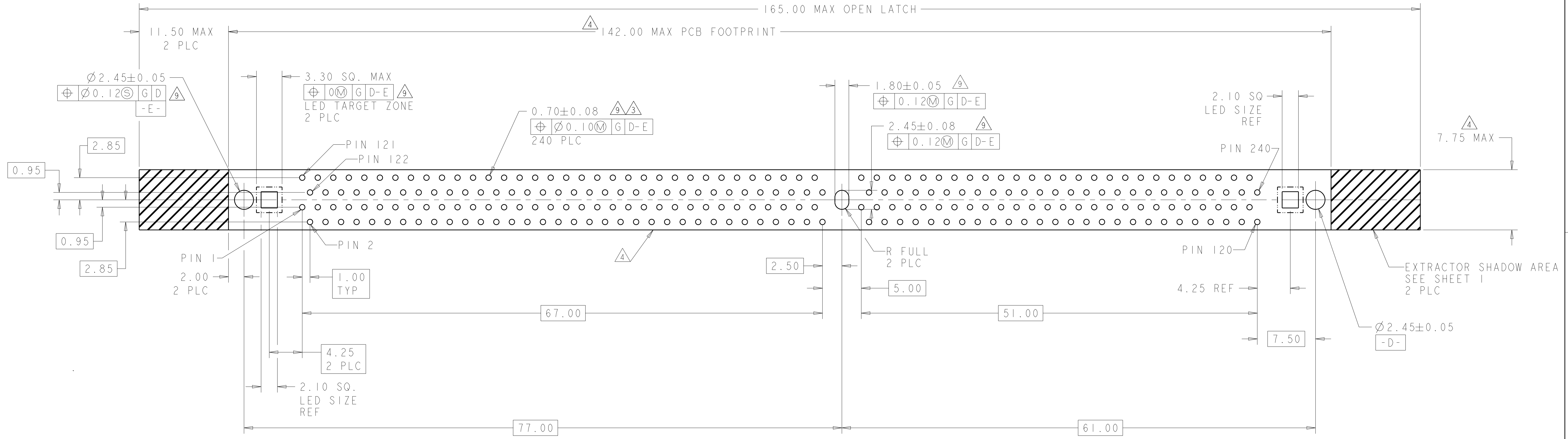
DIMENSIONS: mm 	TOLERANCES UNLESS OTHERWISE SPECIFIED: 9 PLC ±.5 5 PLC ±.13 4 PLC ±.013 ANGLES ±.0001	DWN: D. RINGLER 11FEB2004 CHK: M. CORRELL 18FEB2004 APPD: M. YEOMANS 20SEP2005	Tyco Electronics Harrisburg, PA 17105-3608
MATERIAL:	FINISH:	PRODUCT SPEC: 108-2214 APPLICATION SPEC: 114-13154 WEIGHT:	NAME: SOCKET ASSEMBLY, VERTICAL FB DIMM, SOLDER TAIL, 240 POSITION SIZE: A1 CAGE CODE: 00779 DRAWING NO: C=1761024 SHEET 1 OF 3 REV: B3

LOC	DIST	REVISIONS			
P	LTB	DESCRIPTION	DATE	DWN	APVD
GP	00	SEE SHEET 1	-	-	-

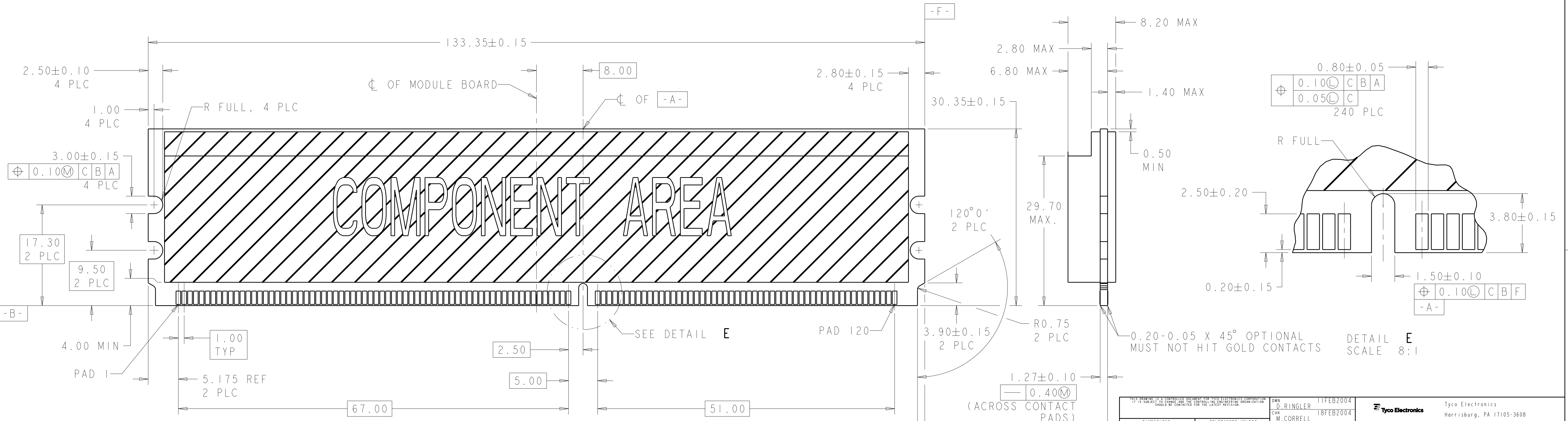


<small>THIS DRAWING IS UNPUBLISHED. RELEASED FOR PUBLICATION 20. THIS DRAWING IS UNPUBLISHED. RELEASED FOR PUBLICATION 20. THIS DRAWING IS UNPUBLISHED. RELEASED FOR PUBLICATION 20.</small>		DWN D. RINGLER 11FEB2004	Tyco Electronics Harrisburg, PA 17105-3608	
<small>THIS IS SUBJECT TO CHANGE WITHOUT NOTICE AND WITHOUT OBLIGATION. SHOULD BE CONTACTED FOR THE LATEST REVISION.</small>		CHK M. CORRELL 18FEB2004	Tyco Electronics	
<small>OTHERWISE SPECIFIED:</small>		APVD M. YEOMANS 20SEP2005	NAME SOCKET ASSEMBLY, VERTICAL FB DIMM, SOLDER TAIL, 240 POSITION	
<small>TOLERANCES UNLESS OTHERWISE SPECIFIED:</small>		PRODUCT SPEC 108-2214	RESTRICTED TO	
<small>0 PLC ±0.5</small> <small>1 PLC ±0.13</small> <small>2 PLC ±0.13</small> <small>3 PLC ±0.013</small> <small>4 PLC ±0.001</small> <small>ANGLES ±0.001</small>		APPLICATION SPEC 114-13154	SIZE CAGE CODE DRAWING NO A 00779 C-1761024	
<small>MATERIAL</small> -		WEIGHT -	SCALE 4:1 SHEET 2 OF 3 REV B3	
<small>FINISH</small> -		CUSTOMER DRAWING		

LOC		DIST		REVISIONS			
GP	00	P	LTB	DESCRIPTION	DATE	DWN	APVD
				SEE SHEET 1			



RECOMMENDED PCB LAYOUT
 VIEWED FROM CONNECTOR SIDE



RECOMMENDED MODULE LAYOUT
 SCALE 3:1

DIMENSIONS: mm 		TOLERANCES UNLESS OTHERWISE SPECIFIED: 9 PLC ±0.5 1 PLC ±0.13 5 PLC ±0.13 4 PLC ±0.001 ANGLES ±0.001		DWN: D. RINGLER 11FEB2004 CHK: M. CORRELL 18FEB2004 APVD: M. YEOMANS 20SEP2005 PRODUCT SPEC: 108-2214 APPLICATION SPEC: 114-13154 WEIGHT: - FINISH: -		Tyco Electronics Harrisburg, PA 17105-3608 NAME: SOCKET ASSEMBLY, VERTICAL FB DIMM, SOLDER TAIL, 240 POSITION SIZE: A11 CAGE CODE: 00779 DRAWING NO: 1761024 SCALE: 1:1 SHEET: 3 OF 3 REV: B3	
-----------------------	--	---	--	---	--	---	--