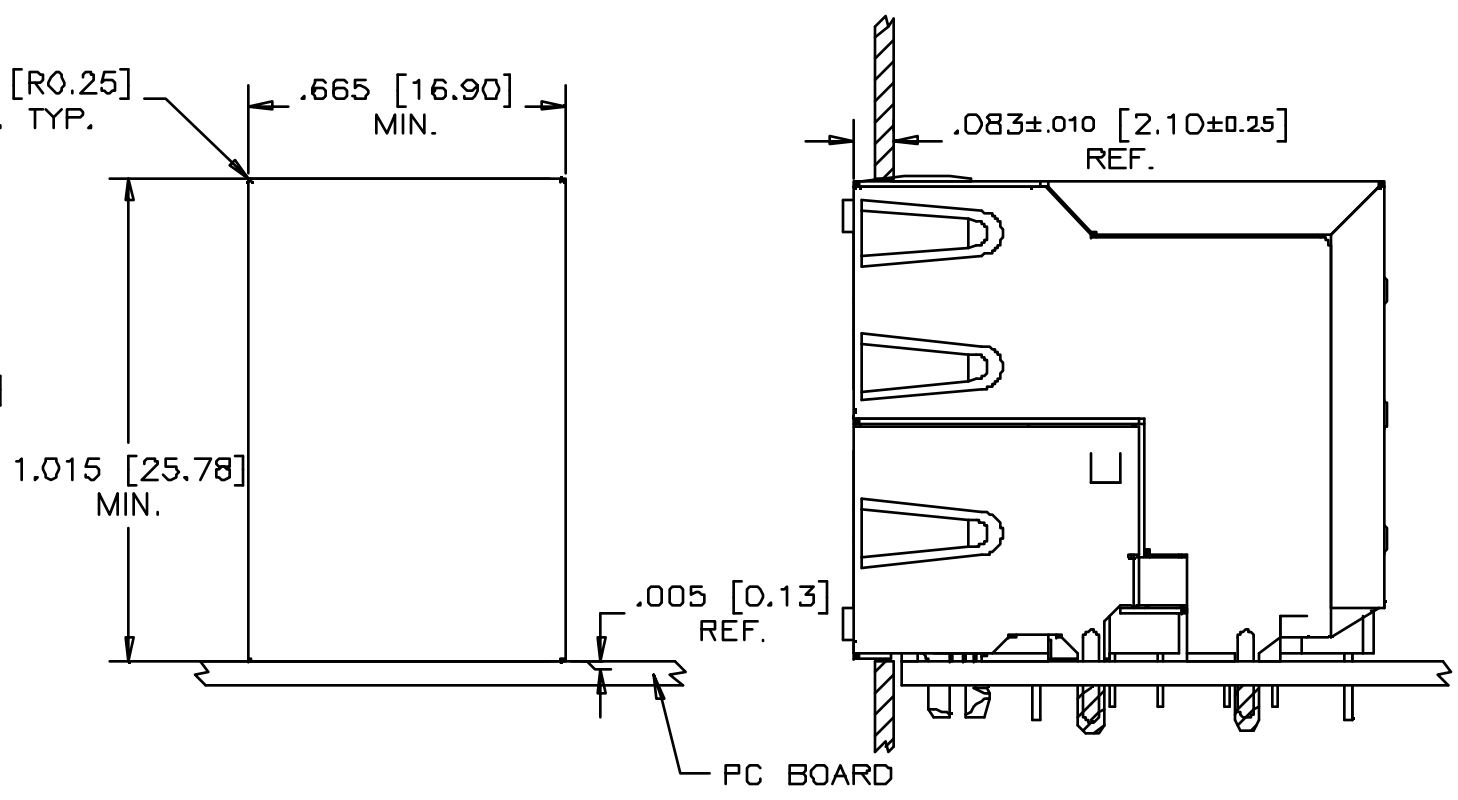
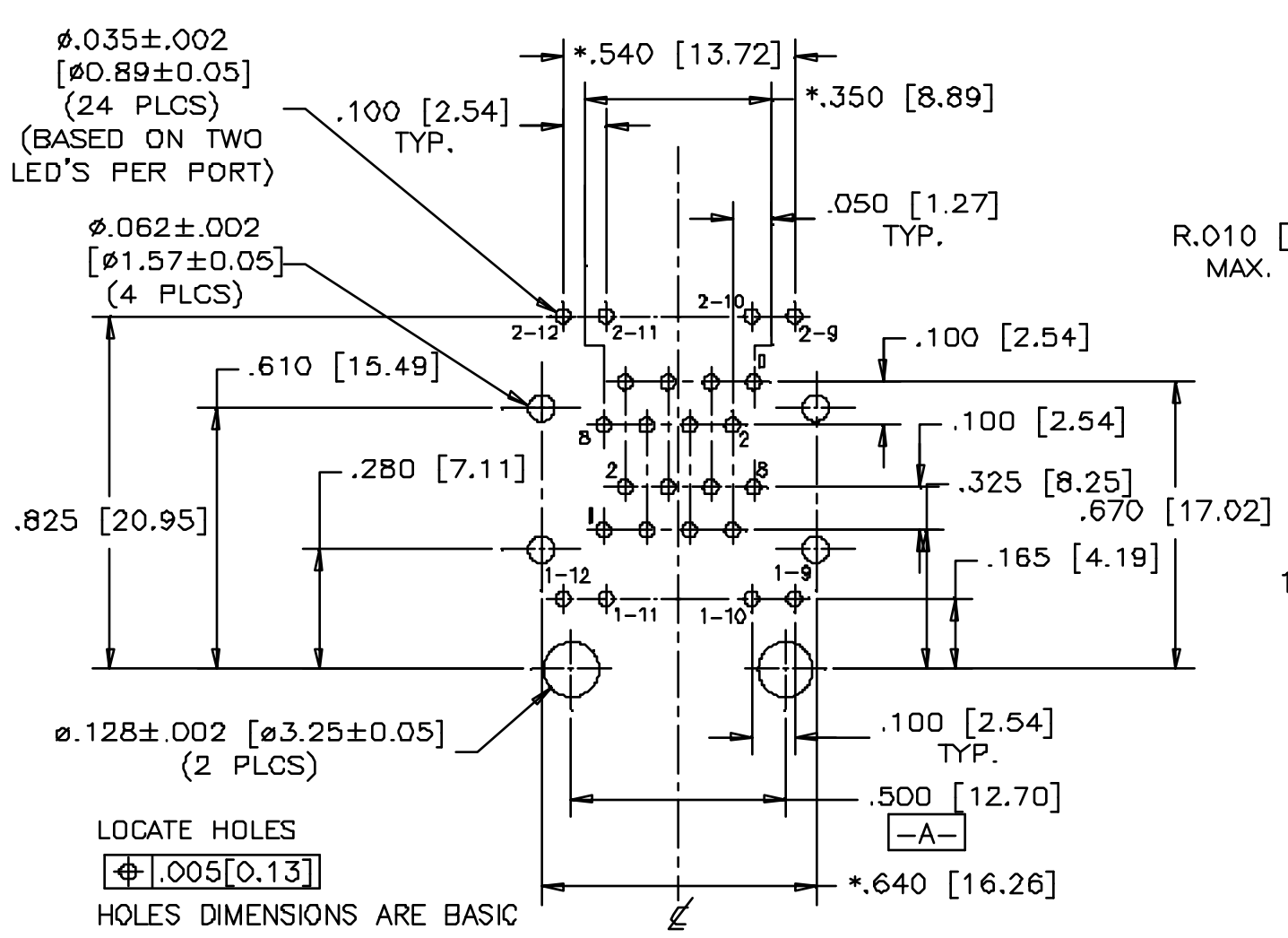
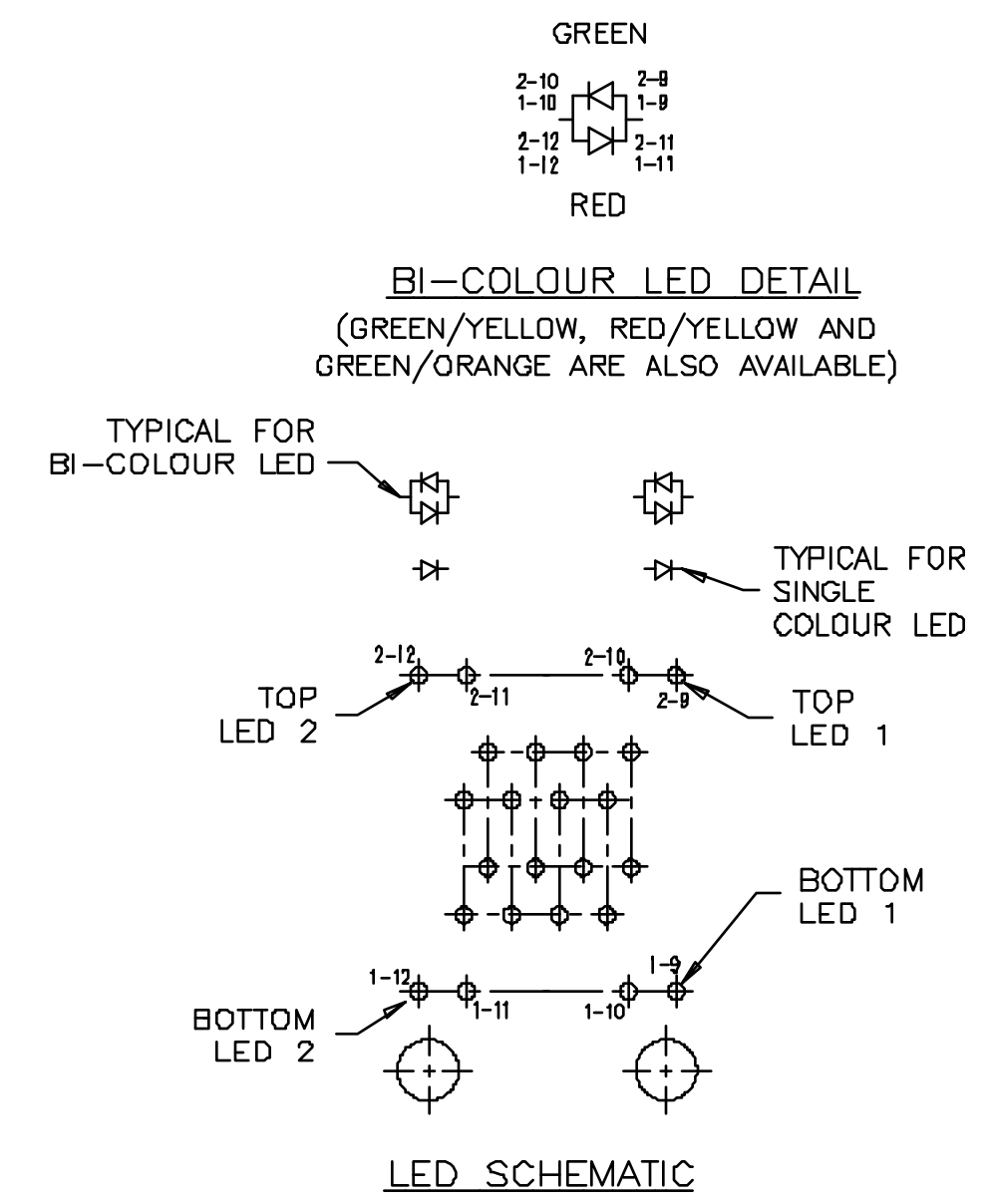
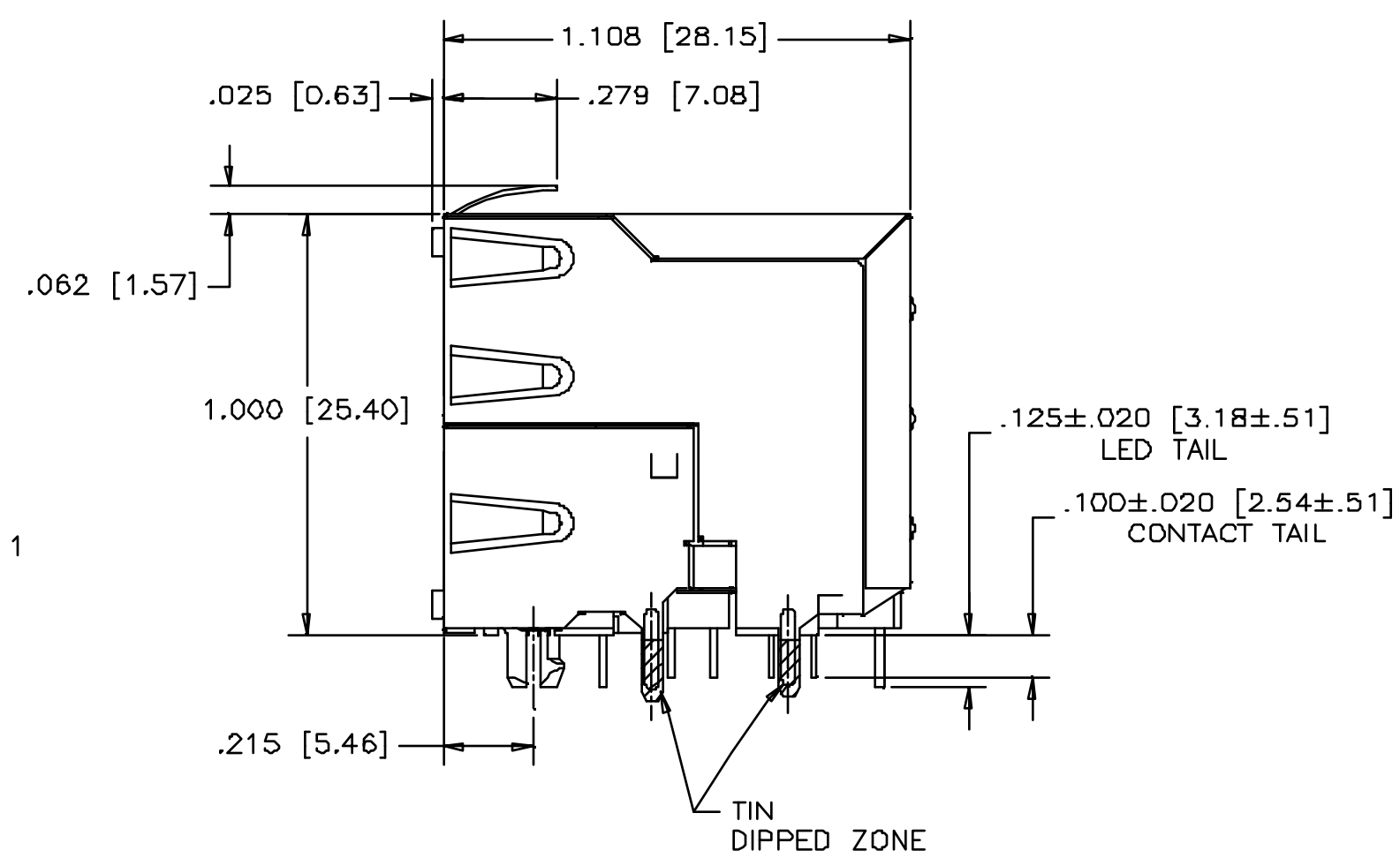
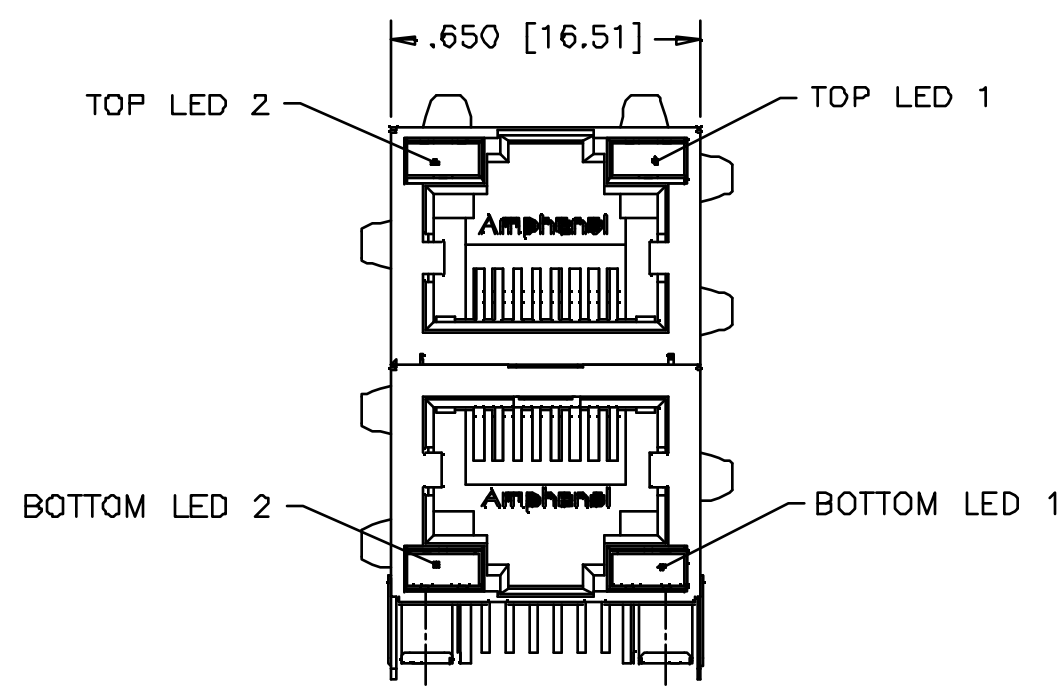


REVISIONS				
SYM	ZONE	ECN, ERN NO.	DATE	APPRD.
F		PROPOSAL	SEP 13/12	A.G.
G		ADD DISTANCE BETWEEN PANEL AND CONNECTOR	MAY 06/13	L.CHAN
H		ADD OPERATING TEMPERATURE	MAY 10/13	L.CHAN
J		ADD DIMENSION OF TAB AND LED LOCATION.	FEB.26/15	L.CHAN



**MATERIALS:**  
**CONTACTS:** PHOSPHOR BRONZE, SELECTIVELY PLATED WITH 50 MICROINCHES MIN. GOLD ON MATING AREAS. 50 MICROINCHES MIN. NICKEL OVERALL. 100 MICROINCHES MIN. MATTE TIN OR GOLD FLASH ON TAILS.  
**HOUSING:** HIGH TEMPERATURE THERMOPLASTIC FLAMMABILITY RATING UL 94V-0, BLACK  
**SHIELD:** COPPER ALLOY. PLATING: NICKEL WITH TIN DIPPED PCB TAILS.  
**RECOMMENDED SOLDERING TEMPERATURE:** WAVE SOLDERING AT 260°C MAXIMUM FOR 5 SEC MAXIMUM

AMPHENOL PART NO.: RJSAE-538X-02X  
 REFER TO LED OPTIONS DRAWING FOR ORDERING CODES

RECOMMENDED P.C.B. LAYOUT  
 (COMPONENT SIDE OF BOARD)

RECOMMENDED PANEL CUTOUT

DIMENSIONS MARKED WITH \* ARE SYMMETRICAL ABOUT CENTER LINE AS DEFINED BY DATUM -A-

UNLESS SPECIFIED OTHERWISE	DRAWN PAULW	APR19/06
PRIMARY UNITS INCHES	CHECKED	
SECONDARY MILLIMETERS	M.E. APP'D	
REFERENCE IN PARENTHESES	Q.A. APP'D	
1 DECIMAL PLACE	DWG APP'D CHIGOW	APR19/06
2 DECIMAL PLACES	ENG. REL. NO.	
3 DECIMAL PLACES ±0.015	REF.	
ANGULAR DEGREES ±1.5°	THIRD ANGLE PROJECTION	DO NOT SCALE DRAWING

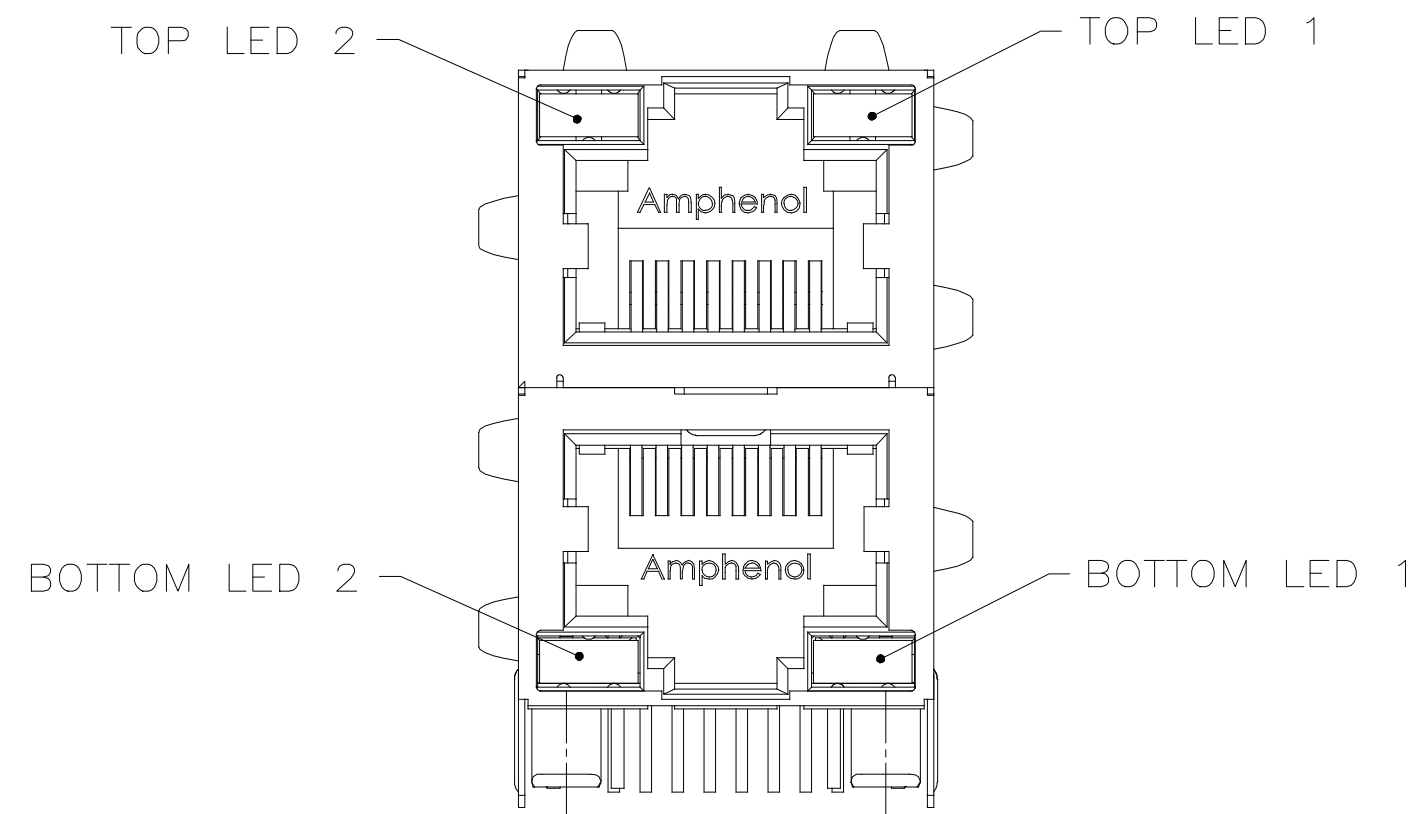
Amphenol Canada Corp.  
 www.amphenolcanada.com

STACKABLE 2x1 PORT MODULAR JACK,  
 8 POSITION, 8 CONTACTS, WITH LEDs,  
 SHIELDED- RoHS COMPLIANT

DWG NO. P-RJSAE-538X-02X

CODE ID NO. 03554 | DWG SIZE | SCALE | SHEET 1 OF 1

REVISIONS				
SYM	ZONE	ECN, ERN NO.	DATE	APPRD.
H		PROPOSAL	JUL04/12	L.CHAN
J		UPDATE ROHS STAMP	JAN21/13	L.CHAN



LED SPECIFICATIONS:  
 FORWARD VOLTAGE: 2.1 VOLTS TYP.  
 REVERSE VOLTAGE: 5.0 VOLTS MIN.  
 LUMINOUS INTENSITY: 0.5 mCd MIN.  
 (AT If=2mA)  
 STORAGE TEMPERATURE: -40° TO 85° C  
 PLATING ON TAILS: TIN OR TIN/COPPER ALLOY OVER SILVER



**EXAMPLE:1**

PART NUMBER RJS AE-\*\*\*X-\*\*  
 SEE NOTE 2 (pointing to asterisks)  
 LED COLOR CODE

**EXAMPLE:2**

PART NUMBER RJS AE-\*\*\*U-\*\*-XX  
 SEE NOTE 2 (pointing to asterisks)  
 SPECIAL CODE FOR TOP & BOTTOM LEDS CONFIGURATION  
 BOTTOM ASSY LED (SAME AS STD CODE)  
 TOP ASSY LED (SAME AS STD CODE)  
 SEE NOTE 2 (pointing to 'U' and 'XX')

PRIMARY COLOR FOR BI-COLOR LEDS IN STANDARD ANODE/CATHODE CONFIGURATION IS:  
 RED-GREEN= RED  
 RED-YELLOW= RED  
 GREEN-YELLOW= GREEN  
 GREEN-ORANGE= GREEN

CODE	LED 2 (LEFT)	LED 1 (RIGHT)	CODE	LED 2 (LEFT)	LED 1 (RIGHT)	CODE	LED 2 (LEFT)	LED 1 (RIGHT)
0	BLOCKED	BLOCKED	9	GREEN	BLOCKED	J	BiC RD/GR	YELLOW
1	YELLOW	GREEN	A	BiC GR/YE	BiC GR/YE	K	YELLOW	BiC GR/OR
2	BLOCKED	GREEN	B	BiC RD/GR	BiC RD/GR	L	BiC GR/YE	RED
3	YELLOW	BLOCKED	C	BiC RD/GR	BiC GR/YE	M	RED	YELLOW
4	GREEN	YELLOW	D	GREEN	BiC GR/YE	N	BiC GR/RD	BiC GR/YE
5	GREEN	GREEN	E	YELLOW	BiC GR/YE	P	GREEN	BiC RD/GR
6	YELLOW	YELLOW	F	BiC GR/YE	YELLOW	R	BiC GR/OR	GREEN
7	RED	GREEN	G	BiC GR/OR	BiC GR/OR	T	RED	RED
8	GREEN	RED	H	BiC GR/YE	GREEN	V	BiC RD/GR	GREEN
			W	ADDITIONAL OPTIONS		U	SPECIAL CODE FOR TOP & BOTTOM LEDS CONFIGURATION	

**LEGEND**

BiC=BI-COLOR LED  
 LOWC=LOW CURRENT LED  
 YE=YELLOW  
 GR=GREEN  
 RD=RED  
 OR=ORANGE

**EXAMPLE:3**

PART NUMBER RJS AE-\*\*\*W-\*\*X  
 SEE NOTE 2 (pointing to asterisks)  
 ADDITIONAL LED COLOR CODE  
 DENOTES ADDITIONAL LED OPTIONS TO BE USED

CODE	LED 2 (LEFT)	LED 1 (RIGHT)	CODE	LED 2 (LEFT)	LED 1 (RIGHT)	CODE	LED 2 (LEFT)	LED 1 (RIGHT)
0	DO NOT USE		5	BLOCKED	YELLOW	A	LOWC YE	LOWC YE
1	RED	BLOCKED	6	RED	BiC RD/GR	B	LOWC YE	LOWC GR
2	BiC GR/OR	YELLOW	7			C	LOWC GR	LOWC YE
3	YELLOW	RED	8	BiC RD/GR	BLOCKED	D	LOWC GR	LOWC GR
4	BLOCKED	RED	9	BiC GR/YE	BLOCKED	M	LOWC RD	LOWC YE
						N	GREEN	BiC GR/OR
						E	GREEN	ORANGE
						F	ORANGE	GREEN
						P	BiC RD/YE	GREEN
						R	BiC RD/YE	BiC RD/YE
						T	BiC GR/YE	BiC RD/GR

**EXAMPLE:4**

PART NUMBER RJS AE-\*\*\*X-\*\*XX\*  
 SEE NOTE 2 (pointing to asterisks)  
 LED COLOR CODE THE SAME AS EXAMPLE 1, 2, 3  
 LED COLOR CODE THE SAME AS EXAMPLE 1, 2, 3  
 SEE NOTE 2 (pointing to 'XX')

**NOTES:**

- THE TWO DIGITS PRECEDING THE ADDITIONAL LED CODE MUST BE USED IN THE PART NUMBER, WHEN ORDERING ANY OF THE ADDITIONAL LED OPTIONS.
- '\*' REPRESENT DIFFERENT OPTION OF CONNECTOR, DETAIL OPTION PLEASE SEE RELEVANT CONNECTOR DRAWING.

DRAWN PAUL WANG	DATE 05/07/22	<b>Amphenol Canada Corp.</b>		
DESIGNED				
CHECKED TERRY	05/07/22			
I. E. APPRD.				
Q. A. APPRD.		TITLE	LED OPTIONS FOR RJS AE, MULTI-PORT CONNECTORS - RoHS COMPLIANT	
DWG. APPRD.		DWG	DRAWING NO.	REV. J
ENG. REL. NO.			P-RJS AE-LEDS	
REF.		DIMENSIONS ARE IN INCHES [mm]	CODE ID. NO. 03554	SCALE
		WT. -----	SURF. -----	SHEET 1 OF 1

THIS DOCUMENT CONTAINS PROPRIETARY INFORMATION AND SUCH INFORMATION MAY NOT BE DISCLOSED TO OTHERS FOR ANY PURPOSE OR USED FOR MANUFACTURING PURPOSES WITHOUT WRITTEN PERMISSION FROM AMPHENOL CANADA CORP.