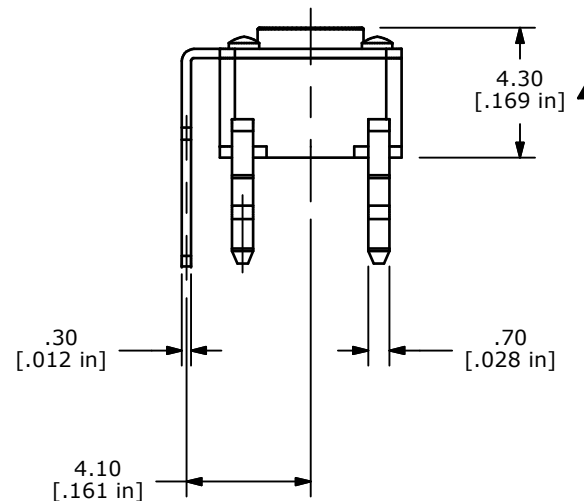
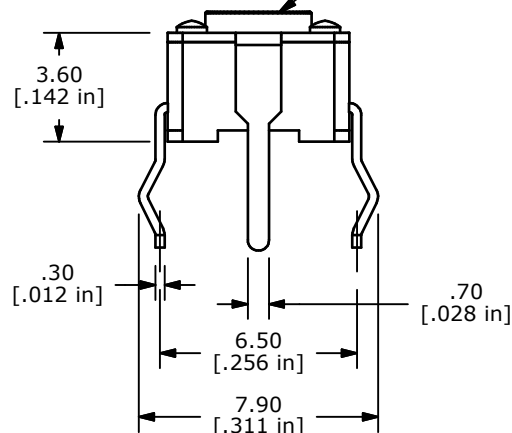


CIRCUIT: SPST

NOTES:

1. ALL DIMENSIONS IN MM [INCH]
2. GENERAL TOLERANCE: X.X=±0.4
X.XX=±0.25
3. TERM. NUMBERS FOR REF. ONLY.
4. RATING: 50mA @ 12VDC
- ▲ 5. OPERATING FORCE: 100± 50gf
6. TRAVEL: 0.25 +0.2/-0.1MM
7. CONTACT RESISTANCE: 100 mΩ MAX.
- ▲ 8. CONTACT MATERIAL: SILVER
9. DIELECTRIC STRENGTH: 250V RMS min.
10. INSULATION RESISTANCE: 100 MEGAΩ min.
11. ELECTRICAL LIFE: 100,000 CYCLES
12. ▲ DENOTES CRITICAL PARAMETER.
13. OPERATING TEMP: -20°C TO 70°C
14. 2002/95/EC (ROHS) COMPLIANT
15. PACKAGE: POLYBAG/ 750 PIECES PER BAG

ACTUATOR COLOR:
▲ BLACK



TITLE TLE1105F100Q

A	20812	RELEASED FOR PRODUCTION	10/10/12	EBP
REV	PCR NO	DESCRIPTION	DATE	BY

THE INFORMATION CONTAINED IN THIS DOCUMENT IS PROPRIETARY TO E-SWITCH AND IS NOT TO BE COPIED OR TRANSFERRED

SCALE	DATE	DR	DWG	REV
	10/10/2012	EBP	P010114	A