

REV	ECN	APP'D
-	5663	J. TON
A	5706	J. TON
B	5796	J. TON
C	5951	J. TON
D	6545	JT 6/25/10
E	6589	JT 10/12/10

NOTES:

1. MATERIALS:

HOUSING: PA 6/6
 CONTACT RETAINER: STAINLESS STEEL
 GROMMET: SILICONE RUBBER PER A-A-59588
 SEAL: SILICONE RUBBER PER A-A-59588

2. OPERATING RANGE:

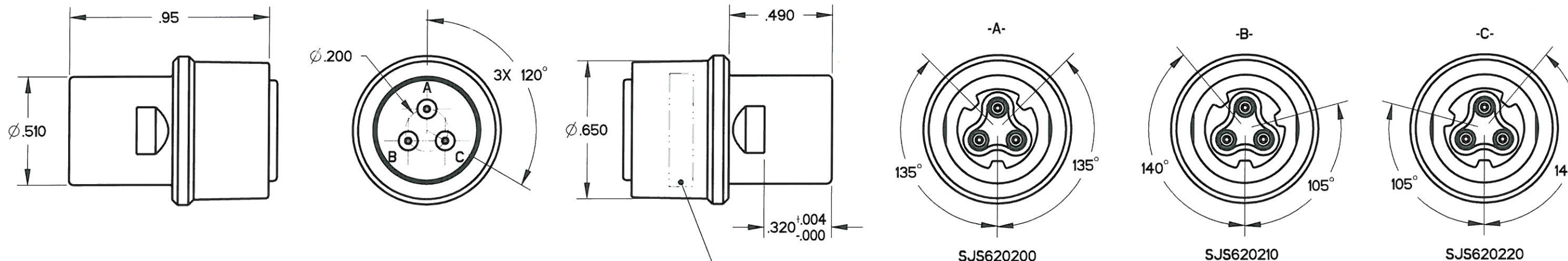
TEMPERATURE: -55 °C TO 95 °C
 INSULATION RESISTANCE: 5000 MEGOHMS MINIMUM
 DIELECTRIC WITHSTANDING VOLTAGE: 1500 VRMS SEA LEVEL
 600 VRMS @ 45,000 FT. ALTITUDE

CURRENT RATING: 7.5 AMPS

VIBRATION: PER EIA-364D METHOD 28, TEST CONDITION V.

3. ACCEPTS (3) M39029/58-363 PIN CONTACTS (NOT INCLUDED)

4. CONTACT RETENTION - 20 LBS EACH



KEY CONFIGURATION SEE TABLE 1

PART MARKING AS FOLLOWS:

BACC63DF0320PX APCD
 YYWW SJS6202XX

DATE
 CODE

SEE TABLE 1 FOR FULL PART NUMBERS

TABLE 1 - PART NUMBER SCHEME			
APCD PART#	BACC PART#	KEY	COLOR
SJS620200	BACC63DF0320PA	A	RED
SJS620210	BACC63DF0320PB	B	WHITE
SJS620220	BACC63DF0320PC	C	BLUE

DIMENSIONS ANSI Y14.5M UNITS: INCHES Pro/E FILE	TOLERANCES .XX ±0.01 .XXX ±0.005 ANGLES ±1.0°	PROJECTION 	Amphenol Pcd SPECIFICATION DRAWING		TITLE IN-LINE JUNCTION TRIPLE WIRE, SIZE 20 RECEPTACLE			
			ENGR S. STONE 10/19/05	SIZE B		DWG NO. SJS620200	REV E	
ORIGINAL 	THIS DOCUMENT CONTAINS PROPRIETARY INFORMATION WHICH IS THE CONFIDENTIAL PROPERTY OF AMPHENOL PCD INC., BEVERLY, MA			CHKD 10/12/10	APPD 10/12/10	CODE: 58982	SCALE: 2:1	SHEET 1 OF 1

SJS620200

SJS620200