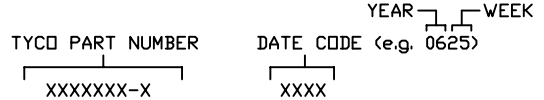


This drawing involves proprietary design rights of Tyco Electronics Corporation, and all design, manufacture, reproduction, use and sale rights regarding the same are expressly reserved. It is submitted for a specific purpose and the recipient by accepting this drawing, assumes custody and control and agrees to take reasonable precautions: (a) that this drawing will not be copied and reproduced, in whole or in part, or its contents revealed in any manner, or to any person, except to meet the purpose for which it was delivered and (b) that any special features peculiar to this design will not be incorporated in other projects without the expressed written permission of Tyco Electronics Corporation.

REVISIONS			
EC	REV	DESCRIPTION	DATE
CPR	A	NEW RELEASE	07/26/06

7. ITEMS PROVIDED TO THIS SPECIFICATION TO BE PERMANENTLY IDENTIFIED PER THE FOLLOWING IDENTIFIER:



8. CONNECTOR INFORMATION

CONNECTOR	TERMINATION TYPE	PC TAIL LENGTH	RECOMMENDED MOUNTING BOARD	MATING BOARD
SOCKET	SOLDER TAIL (STANDARD)	5.08 [.200] 4.06 [.160]	3.2 [.125] OR THINNER	1.6 [.062] THICK

6. EXAMPLE PCB CONFIGURATION.

THIS CONFIGURATION WITH 3 SEGMENT POWER CONNECTOR IS SHOWN FOR REFERENCE ONLY. COMBINATION OF MULTIPLE NUMBERS OF 2 AND 3 SEGMENT MODULES COULD BE USED PER USER PREFERENCE. OVERALL COMBINATION SHOULD NOT EXCEED 8.0" IN LENGTH.

4. SOCKET CONNECTOR ACCEPT 1.6 [.062]±10% THICK PCB.

3. FINISHES:

CONTACTS: SELECTIVE GOLD PLATED, .000030" MIN THICK OVER NICKEL PLATED, .000050" MIN THICK
 TERMINALS: TIN PLATED, MATTE FINISH, .000120" MIN THICK OVER NICKEL PLATED, .000050" MIN THICK

2. MATERIALS:

INSULATORS: THERMOPLASTIC, GLASS REINFORCED, COLOR-BLACK UL94V-0 FLAMMABILITY RATED.
 POWER CONTACTS: PHOSPHOR BRONZE ALLOY COPPER ALLOY

1. PART NUMBER CHANGES AND OR DESIGN CHANGES AFFECTING ITEM INTERCHANGEABILITY REQUIRE PRIOR TYCO APPROVAL AND AUTHORIZATION BY REVISION TO THIS DRAWING.

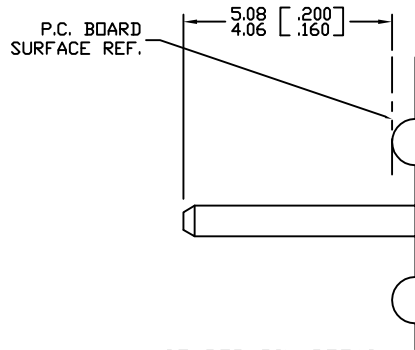
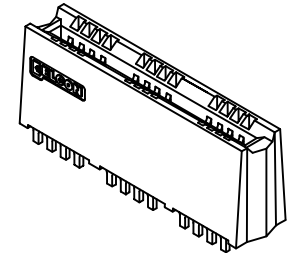
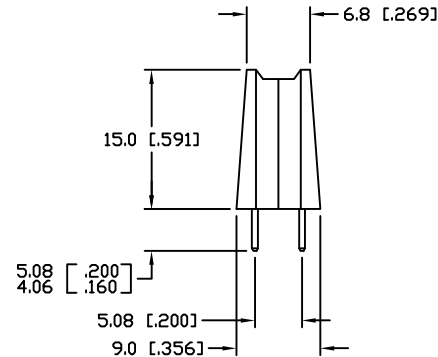
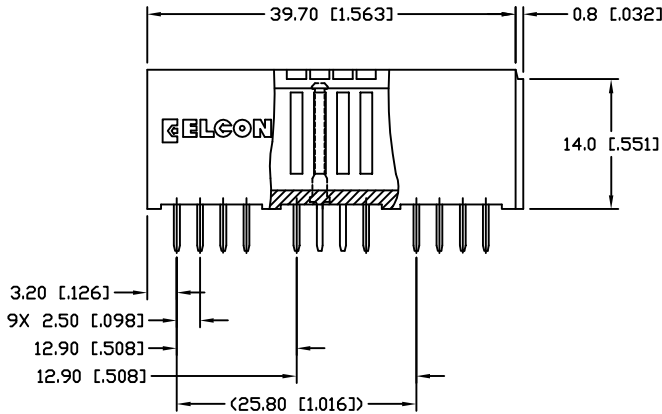
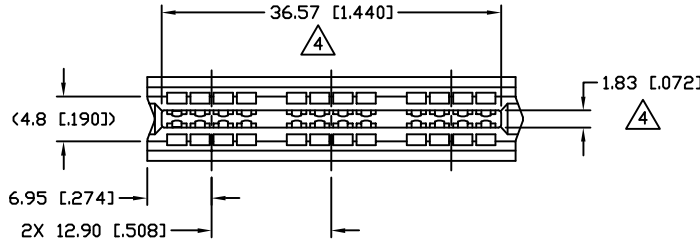
NOTES: UNLESS OTHERWISE SPECIFIED;

6651193-1	AS SHOWN
PART NUMBER	DESCRIPTION

 THIRD ANGLE PROJECTION	DRAWN HA NGUYEN	DATE 07/26/06	Tyco Electronics Corporation Menlo Park, Ca 94025	
	CHECKED			
UNLESS OTHERWISE SPECIFIED DIMENSIONS ARE IN METRIC [INCHES]	APPROVED		TITLE CONNECTOR, SOCKET STANDARD, SOLDER TAIL CROWN EDGE	
	APPROVED			
TOLERANCES	STEVE FLICKINGER	07/26/06	SIZE	DWG NUMBER
ANGLES ± .5'	DCA APPROVED		B	C = 6651193
DECIMALS	HA NGUYEN	07/26/06		REV. A
.XX ± .25 [.010]	ACAD FILE NUMBER	C6651193A.DWG		
.X ± .5 [.020]				DWG SCALE 2=1 SH 1 OF 3

This drawing involves proprietary design rights of Tyco Electronics Corporation, and all design, manufacture, reproduction, use and sale rights regarding the same are expressly reserved. It is submitted for a specific purpose and the recipient by accepting this drawing, assumes custody and control and agrees to take reasonable precautions: (a) that this drawing will not be copied and reproduced, in whole or in part, or its contents revealed in any manner, or to any person, except to meet the purpose for which it was delivered and (b) that any special features peculiar to this design will not be incorporated in other projects without the expressed written permission of Tyco Electronics Corporation.

REVISIONS			
EC	REV	DESCRIPTION	DATE
		SEE SHEET 1	



9. SOLDER PIN DETAIL
SCALE: 10 : 1

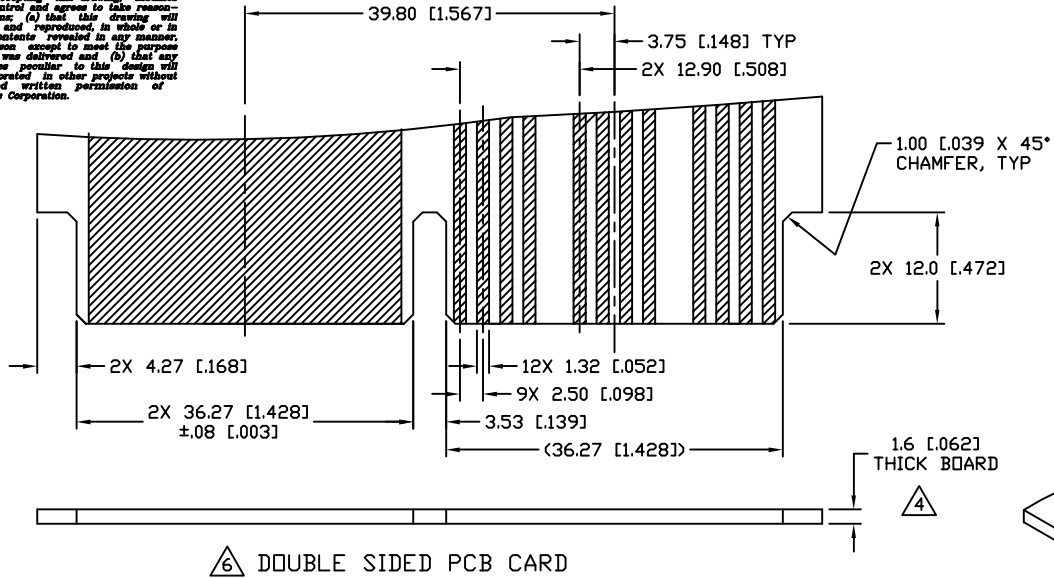
10 SOLDER TERMINATION AREA

SCALE: 40 : 1
 RECOMMENDED PRINTED CIRCUIT HOLE
 FINISHED HOLE: $\varnothing 1.02 \pm 0.08$ [$\varnothing 0.40 \pm 0.003$]
 DRILLED HOLE: $\varnothing 1.15 \pm 0.013$ [$\varnothing 0.453 \pm 0.005$]
 COPPER PLATE: 0.025 [0.010] MINIMUM (PER SURFACE)
 TIN PLATE: 0.008 [0.0003] MINIMUM (PER SURFACE)

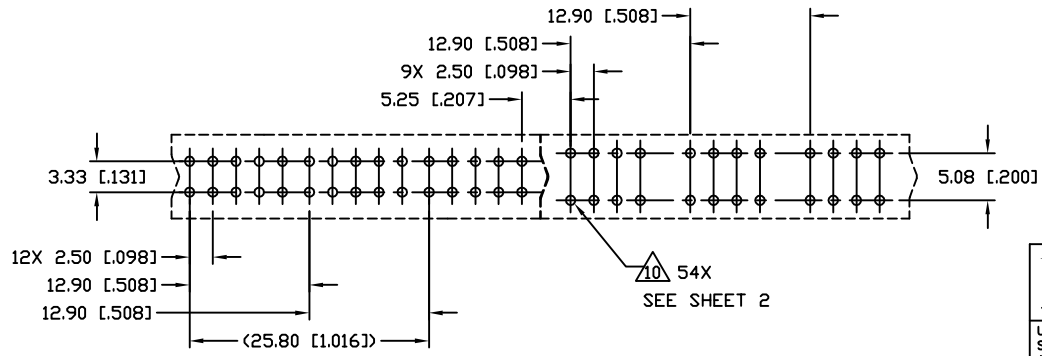
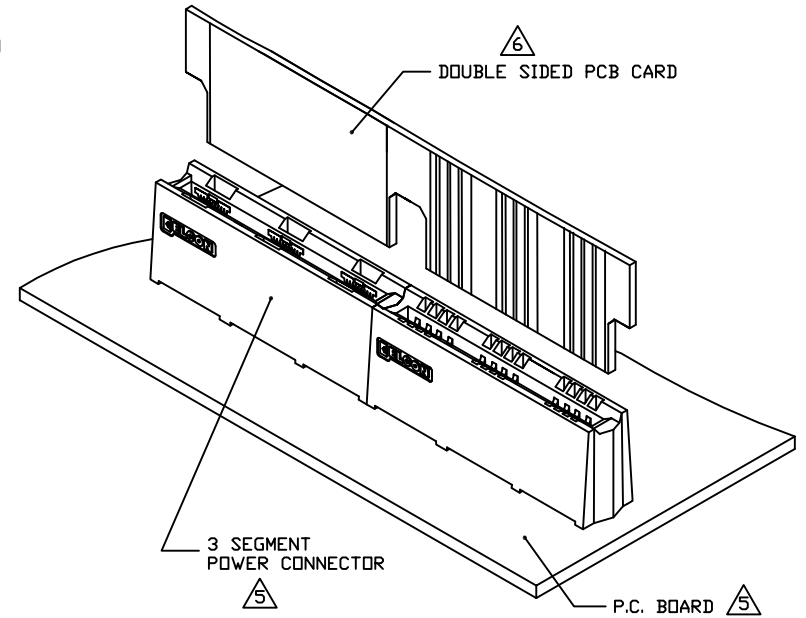
THIRD ANGLE PROJECTION UNLESS OTHERWISE SPECIFIED DIMENSIONS ARE IN METRIC [INCHES] TOLERANCES ANGLES $\pm .5^\circ$ DECIMALS .XX $\pm .25$ [0.10] .X $\pm .5$ [0.20]	DRAWN HA NGUYEN	DATE 07/26/06	Tyco Electronics Corporation Menlo Park, Ca 94025 	TITLE CONNECTOR, SOCKET STANDARD, SOLDER TAIL CROWN EDGE	SIZE DWG NUMBER B C = 6651193	REV. A
	CHECKED					
	APPROVED					
	APPROVED STEVE FLICKINGER DCA APPROVED HA NGUYEN	07/26/06				
ACAD FILE NUMBER	C6651193A.DWG		DWG SCALE	2=1	SH 2 OF 3	

This drawing involves proprietary design rights of Tyco Electronics Corporation, and all design, manufacture, reproduction, use and sale rights regarding the same are expressly reserved. It is submitted for a specific purpose and the recipient by accepting this drawing, assumes custody and control and agrees to take reasonable precautions: (a) that this drawing will not be copied and reproduced, in whole or in part, or its contents revealed in any manner, or to any person, except to meet the purpose for which it was delivered and (b) that any special features peculiar to this design will not be incorporated in other projects without the expressed written permission of Tyco Electronics Corporation.

REVISIONS			
EC	REV	DESCRIPTION	DATE
		SEE SHEET 1	



△ 6 DOUBLE SIDED PCB CARD



△ 5 RECOMMENDED PCB LAYOUT

MM OR MM [INCH]	DRAWN HA NGUYEN	DATE 07/26/06	Tyco Electronics Corporation Menlo Park, Ca 94025		
THIRD ANGLE PROJECTION	CHECKED		TITLE		
UNLESS OTHERWISE SPECIFIED DIMENSIONS ARE IN METRIC [INCHES]	APPROVED		USER INFORMATION RECOMMENDED PCB LAYOUT CROWN EDGE		
TOLERANCES	APPROVED		SIZE	DWG NUMBER	REV.
ANGLES ± .5°	STEVE FLICKINGER	07/26/06	B	C = 6651193	A
DECIMALS	DCA APPROVED				
.XX ± .25 [0.010]	HA NGUYEN	07/26/06			
.X ± .5 [0.020]	ACAD FILE NUMBER	C6651193A.DWG			
			DWG SCALE	2=1	SH 3 OF 3