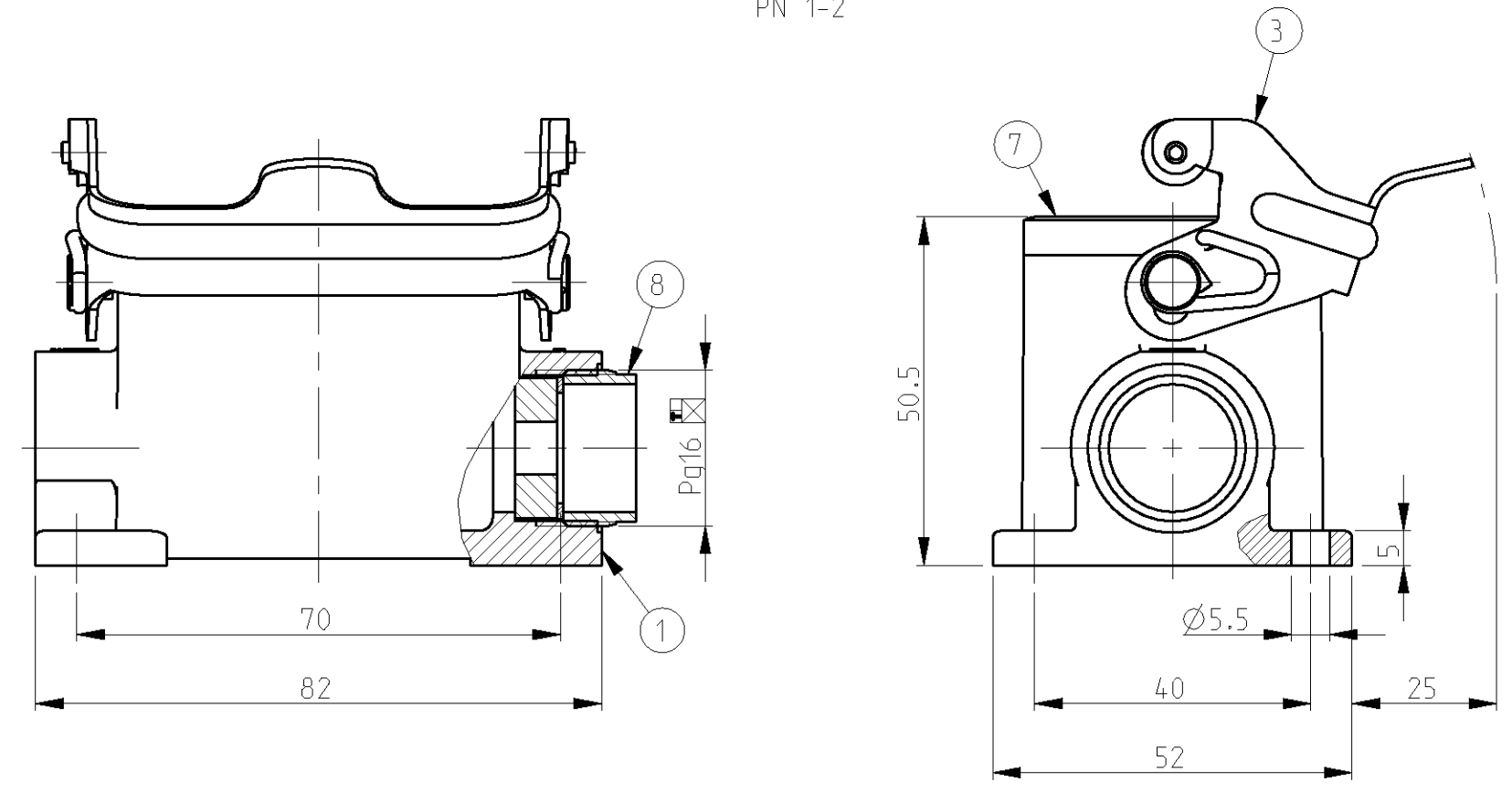
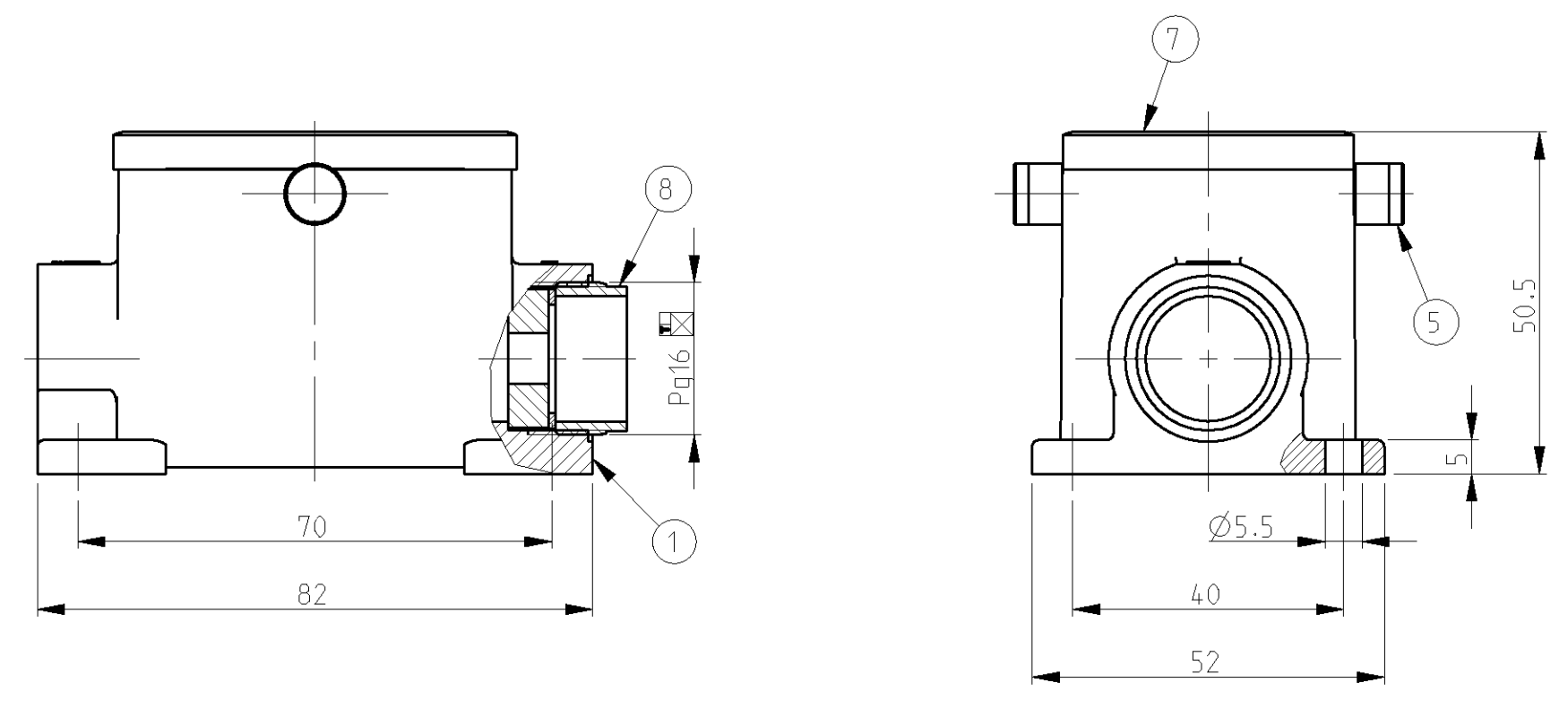


LOC	DIST	REVISIONS			
		REV	DATE	BY	APPV
A1	-	A3	Released as per ECR-08-018916	29.July.2008	SP TS
		A4	REVISED PER ECO-09-027197	29JAN10	KK HMR

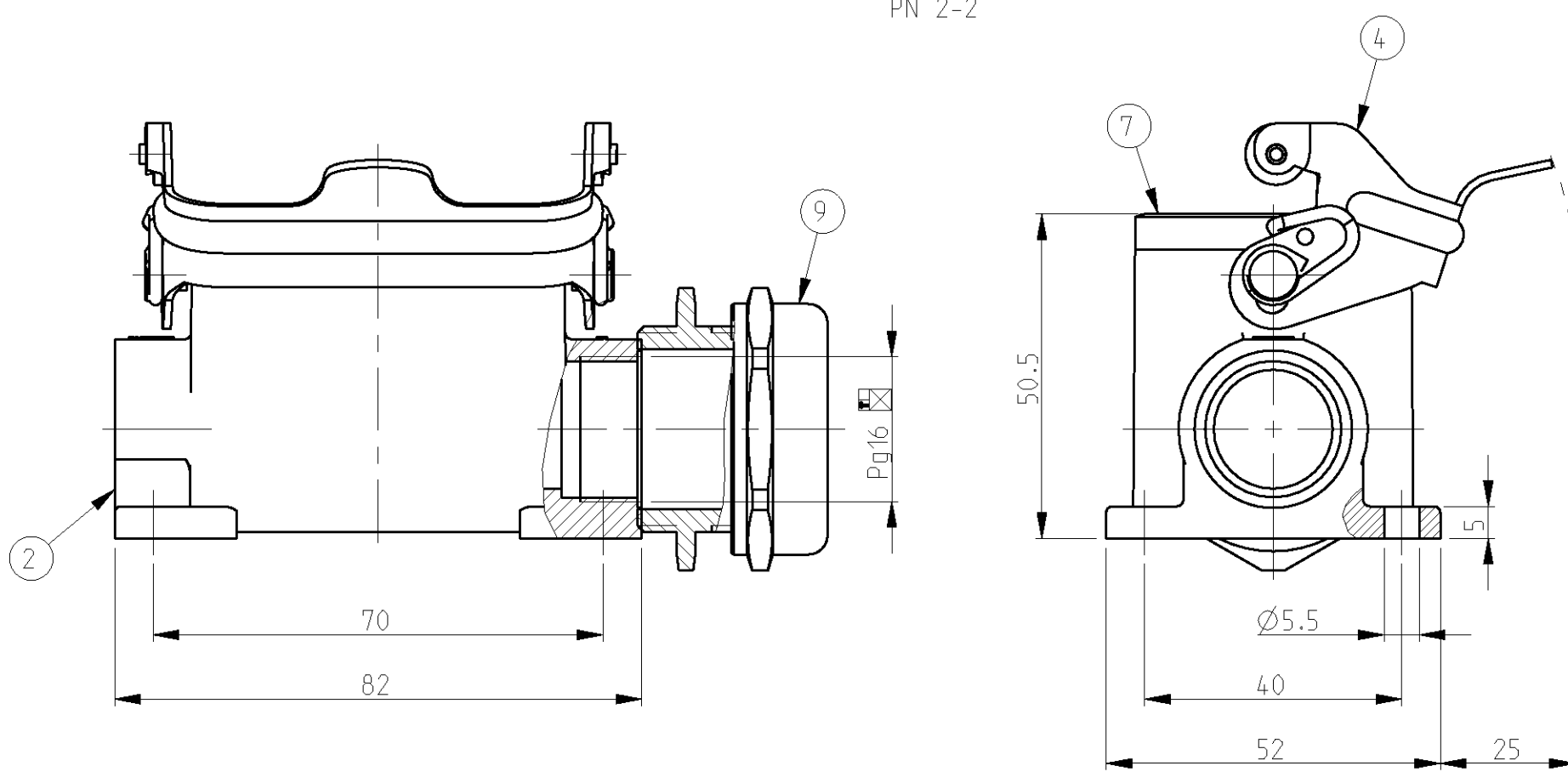
PN 1-2



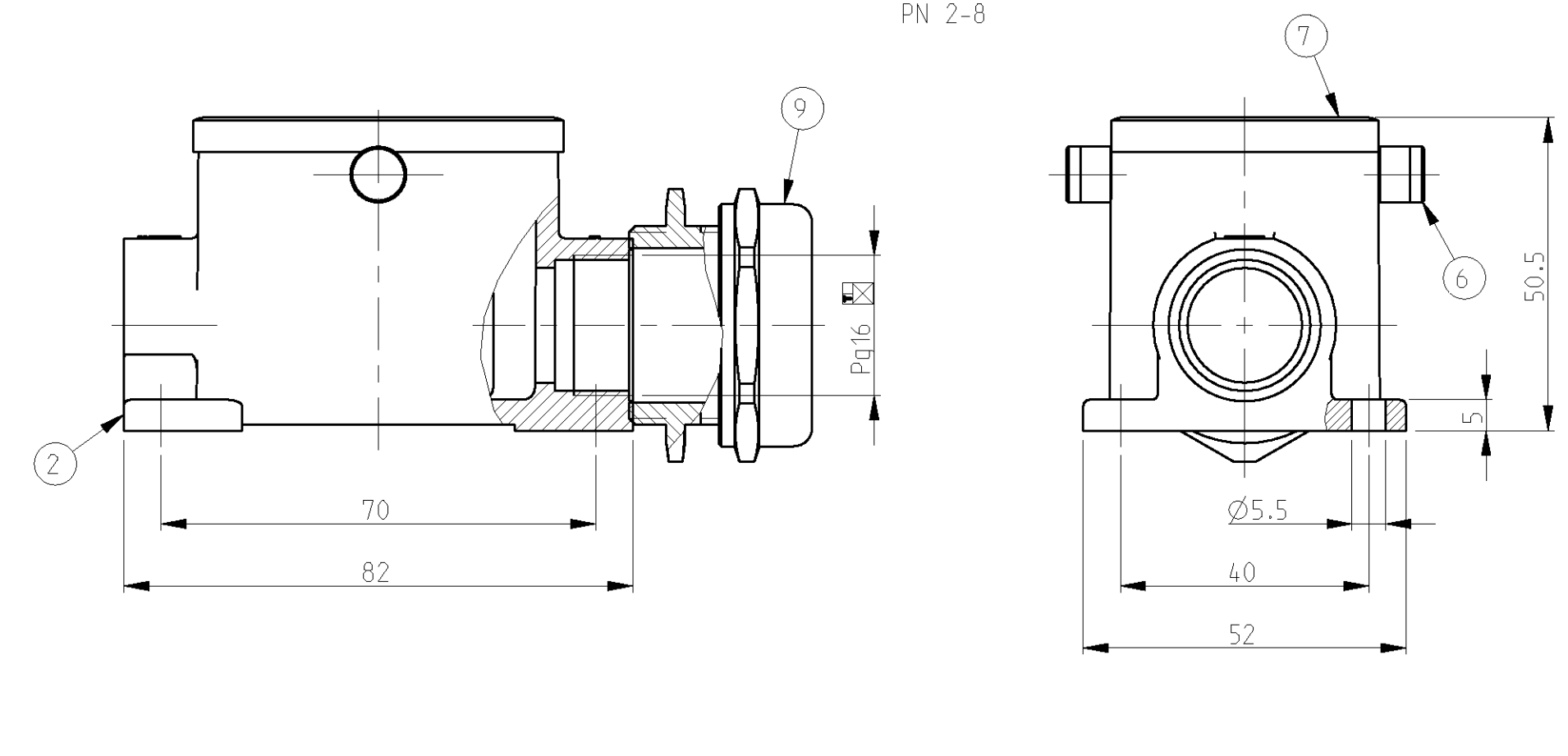
PN 1-8



PN 2-2

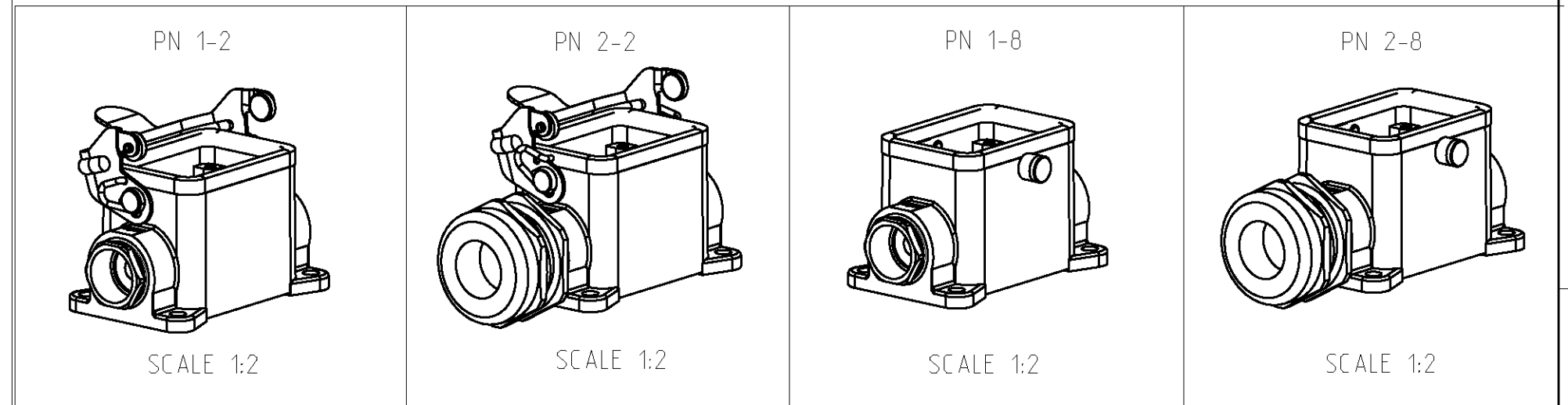


PN 2-8



NOTES.

- 1 Material:Housing:Aluminium Diecasting Alloy
Seals:Neoprene
 - 2 Surface:Varnish grey
-Aluminium Oxide +Varnish Black
 - 4 Packaging
Quantity 5 Pieces in a box
- OBSELETE PARTS: OBSELETE CIS STREAMLINING PER D.RENAUD/D.SINISI**



QTY	DESCRIPTION	MATERIAL	SURFACE	COLOR	ITEM NO	REMARKS
1	Gland Fitting Pg16	Brass	Nickel plated		9	
1	Cable fitting Pg16	Brass	Nickel plated		8	
1	Profile seal	Neoprene		Black	7	
2	ZB-Clip bolt	Stainless steel			6	
2	ZB-Clip bolt	Steel	Zinc plated	Blue	5	
1	LB-Side clip finished product	Stainless steel			4	
1	LB-Side clip finished product	Steel	Zinc plated	Blue	3	
1	Surface mounted housing side entry HB6.1.16	Aluminium	Aluminium oxide	Black RAL 9005	2	
1	Surface mounted housing side entry HB6.1.16	Aluminium		Grey RAL 7001	1	
6-2-2-8	DESCRIPTION	MATERIAL	SURFACE	COLOR	ITEM NO	REMARKS
1-8	ORDERING TEXT					
2-2	HB-6.SG-LB.1.16					
1-2	HB-K.6.SG-LB.1.16					
	HB-Z.6.SG-ZVGR.1.16					
	HB-K.2.6.SG-ZVGR.1.16					
	HB-6.SG-LB.1.16-S0					

DIMENSIONS: mm		TOLERANCES UNLESS OTHERWISE SPECIFIED: 0 PLC ± 1 PLC ± 2 PLC ± 3 PLC ± 4 PLC ± ANGLES ±		DWN Schneider 05.03.1999 CHK Schwaiger 05.03.1999		Tyco Electronics Tyco Electronics,AMP.GmbH 0-53819,Neunkirchen,Germany	
MATERIAL - FINISH -		PRODUCT SPEC - APPLICATION SPEC -		NAME Surface mounted housing side entry HB.6.1.16		SIZE CAGE CODE DRAWING NO RESTRICTED TO A1 00779 C=1102248 1 OF 1 REV A4	
CUSTOMER DRAW ING		WEIGHT -		SCALE 1:1		SHEET 1 OF 1	