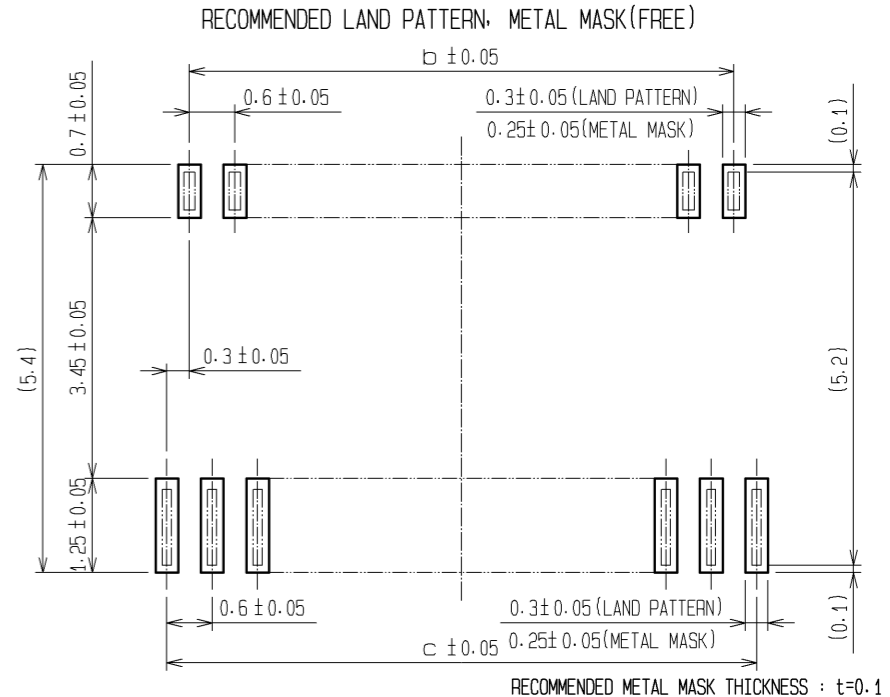


- NOTE
- ① DIMENSIONS FROM REFERENCE SURFACE C (BOTTOM SURFACE OF HOUSING).
  - ② LEAD CO-PLANARITY SHALL BE 0.1 MAX.
  - ③ LENGTH AFTER FPC IS INSERTED.
  - ④  $0.3 \begin{smallmatrix} +0.04 \\ -0.03 \end{smallmatrix}$  CAN BE APPLIED WITH LEAD PLATED.
  - ⑤ PREVENTIVE HOLES FOR SINK MARK ARE APPLIED TO POSITIONS OF 33 OR LARGER.
  - ⑥ NOTE THAT PREVENTIVE HOLE FOR SINK MARK COULD BE ADDED FOR IMPROVEMENT. THE QUALITY REMAINS GOOD, EVEN WITH THE DARK SPOTS, WHICH COULD OCCASIONALLY OCCUR ON MOLDED PLASTIC.



DIMENSION MATRIX

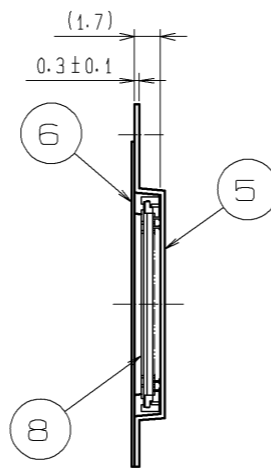
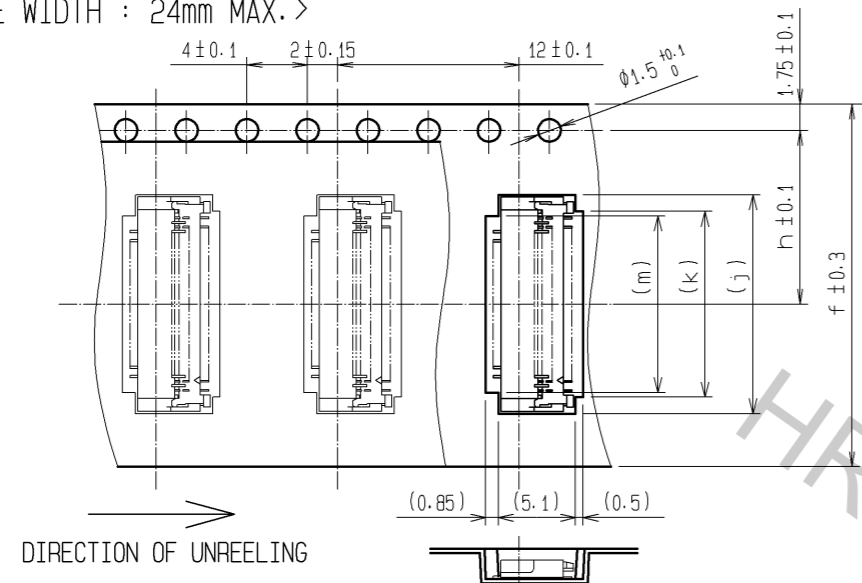
| PART NO.            | CODE NO.        | NO. OF CONTACT | a    | b    | c    | d     | e    |
|---------------------|-----------------|----------------|------|------|------|-------|------|
| FH23-15S-0.3SHW(10) | CL586-1317-0-10 | 15             | 7    | 3.6  | 4.2  | 4.83  | 4.8  |
| FH23-17S-0.3SHW(10) | CL586-1300-7-10 | 17             | 7.6  | 4.2  | 4.8  | 5.43  | 5.4  |
| FH23-21S-0.3SHW(10) | CL586-1314-1-10 | 21             | 8.8  | 5.4  | 6    | 6.63  | 6.6  |
| FH23-23S-0.3SHW(10) | CL586-1324-5-10 | 23             | 9.4  | 6    | 6.6  | 7.23  | 7.2  |
| FH23-25S-0.3SHW(10) | CL586-1322-0-10 | 25             | 10   | 6.6  | 7.2  | 7.83  | 7.8  |
| FH23-27S-0.3SHW(10) | CL586-1308-9-10 | 27             | 10.6 | 7.2  | 7.8  | 8.43  | 8.4  |
| FH23-31S-0.3SHW(10) | CL586-1302-2-10 | 31             | 11.8 | 8.4  | 9    | 9.63  | 9.6  |
| FH23-33S-0.3SHW(10) | CL586-1304-8-10 | 33             | 12.4 | 9    | 9.6  | 10.23 | 10.2 |
| FH23-37S-0.3SHW(10) | CL586-1335-1-10 | 37             | 13.6 | 10.2 | 10.8 | 11.43 | 11.4 |
| FH23-39S-0.3SHW(10) | CL586-1306-3-10 | 39             | 14.2 | 10.8 | 11.4 | 12.03 | 12   |
| FH23-45S-0.3SHW(10) | CL586-1318-2-10 | 45             | 16   | 12.6 | 13.2 | 13.83 | 13.8 |
| FH23-51S-0.3SHW(10) | CL586-1312-6-10 | 51             | 17.8 | 14.4 | 15   | 15.63 | 15.6 |
| FH23-61S-0.3SHW(10) | CL586-1310-0-10 | 61             | 20.8 | 17.4 | 18   | 18.63 | 18.6 |
| FH23-71S-0.3SHW(10) | CL586-1320-4-10 | 71             | 23.8 | 20.4 | 21   | 21.63 | 21.6 |

| ④   | PHOSPHOR BROZE | (CONTACT AREA- LEAD) GOLD 0.05μm MIN OVER NICKEL 1μm MIN.<br>(OTHER) NICKEL PLATING 1μm MIN. | 8   | (CONNECTOR) |                  |
|-----|----------------|--|-----|-------------|------------------|
| ③   | PHOSPHOR BROZE | (CONTACT AREA- LEAD) GOLD 0.05μm MIN OVER NICKEL 1μm MIN.<br>(OTHER) NICKEL PLATING 1μm MIN. | 7   | POLYSTYRENE |                  |
| ②   | LCP            | BLACK UL94V-0  | 6   | POLYESTER   |                  |
| ①   | LCP            | BEIGE UL94V-0  | 5   | POLYSTYRENE |                  |
| NO. | MATERIAL       | FINISH . REMARKS   | NO. | MATERIAL    | FINISH . REMARKS |

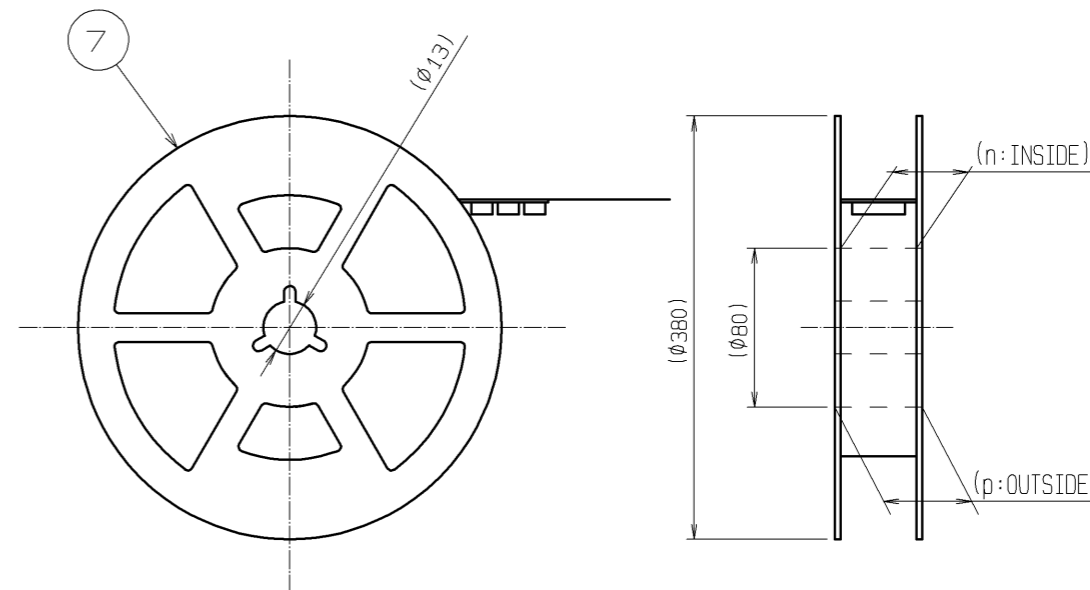
| UNITS                  | SCALE  | COUNT | DESCRIPTION OF REVISIONS | DESIGNED                    | CHECKED    | DATE     |
|------------------------|--------|-------|--------------------------|-----------------------------|------------|----------|
| mm                     | 10 : 1 | 12    | DIS-F-005191             | SG. CHAMURA                 | FN. TAMURA | 10.12.02 |
| APPROVED : MO. ISHIDA  |        |       | 05.01.05                 | DRAWING NO. EDC3-153547-04  |            |          |
| CHECKED : SS. WATANABE |        |       | 05.01.05                 | PART NO. FH23-*S-0.3SHW(10) |            |          |
| DESIGNED : TO. SHIBUYA |        |       | 05.01.05                 | CODE NO.                    |            |          |
| DRAWN : TO. SHIBUYA    |        |       | 05.01.05                 | 1/2                         |            |          |

EMBOSSED CARRIER TAPE DIMENSION(2:1)

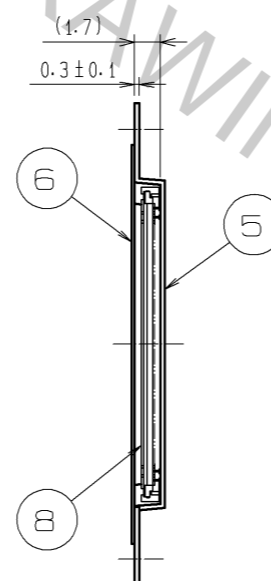
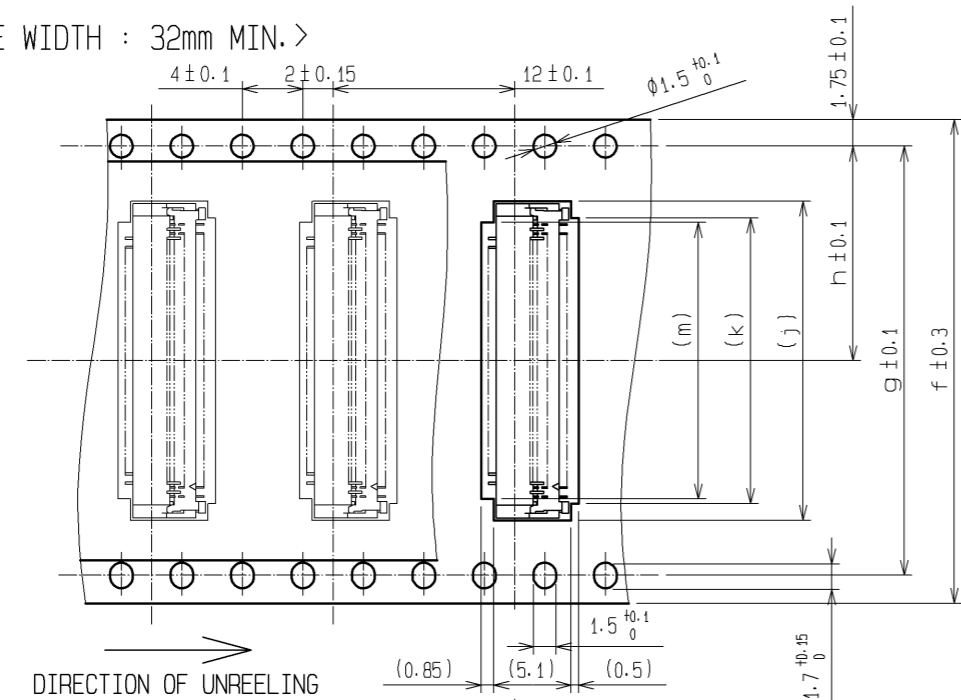
<TAPE WIDTH : 24mm MAX.>



REEL DIMENSION(FREE)



<TAPE WIDTH : 32mm MIN.>

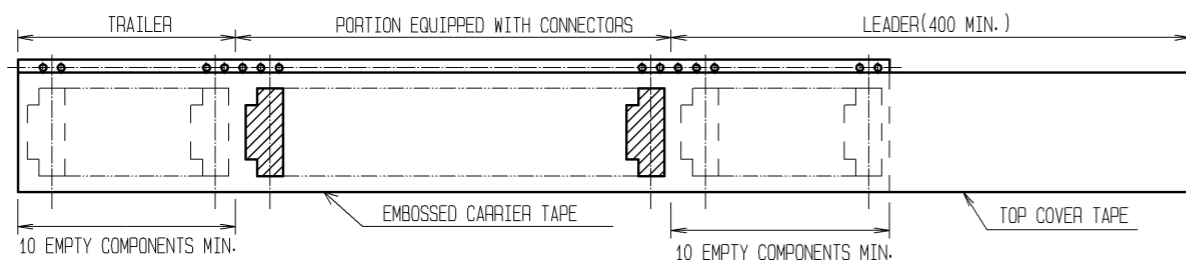


NOTES 7 THE DIMENSIONS IN PARENTHESES ARE FOR REFERENCE.  
 8 PER REEL : 2500 CONNECTORS.  
 9 REFER TO JIS C 0806 (PACKAGING OF COMPONENTS FOR AUTOMATIC HANDLING.)

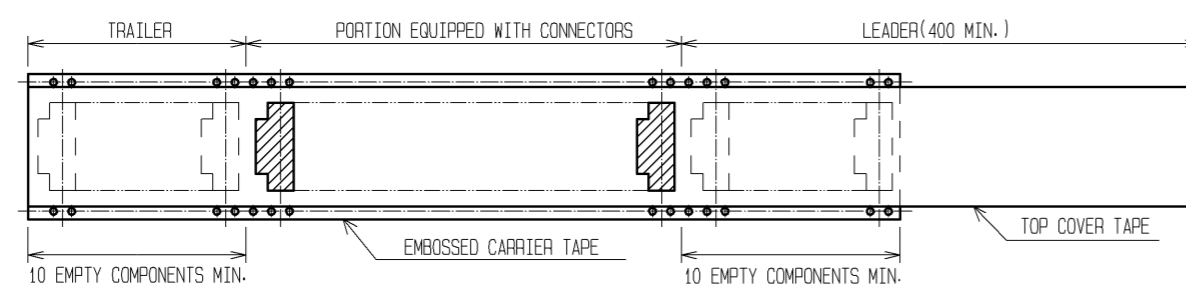
DIMENSION MATRIX

| PART NO.            | CODE NO.        | NO. OF CONTACT | f  | g    | h    | j    | k    | m    | n    | p    |
|---------------------|-----------------|----------------|----|------|------|------|------|------|------|------|
| FH23-15S-0.3SHW(10) | CL586-1317-0-10 | 15             | 16 |      | 7.5  | 7.3  | 5.1  | 4.5  | 17.4 | 21.4 |
| FH23-17S-0.3SHW(10) | CL586-1300-7-10 | 17             | 16 |      | 7.5  | 7.9  | 5.7  | 5.1  | 17.4 | 21.4 |
| FH23-21S-0.3SHW(10) | CL586-1314-1-10 | 21             | 16 |      | 7.5  | 9.1  | 6.9  | 6.3  | 17.4 | 21.4 |
| FH23-23S-0.3SHW(10) | CL586-1324-5-10 | 23             | 24 |      | 11.5 | 9.7  | 7.5  | 6.9  | 25.4 | 29.4 |
| FH23-25S-0.3SHW(10) | CL586-1322-0-10 | 25             | 24 |      | 11.5 | 10.3 | 8.1  | 7.5  | 25.4 | 29.4 |
| FH23-27S-0.3SHW(10) | CL586-1308-9-10 | 27             | 24 |      | 11.5 | 10.9 | 8.7  | 8.1  | 25.4 | 29.4 |
| FH23-31S-0.3SHW(10) | CL586-1302-2-10 | 31             | 24 |      | 11.5 | 12.1 | 9.9  | 9.3  | 25.4 | 29.4 |
| FH23-33S-0.3SHW(10) | CL586-1304-8-10 | 33             | 24 |      | 11.5 | 12.7 | 10.5 | 9.9  | 25.4 | 29.4 |
| FH23-37S-0.3SHW(10) | CL586-1335-1-10 | 37             | 24 |      | 11.5 | 13.9 | 11.7 | 11.1 | 25.4 | 29.4 |
| FH23-39S-0.3SHW(10) | CL586-1306-3-10 | 39             | 24 |      | 11.5 | 14.5 | 12.3 | 11.7 | 25.4 | 29.4 |
| FH23-45S-0.3SHW(10) | CL586-1318-2-10 | 45             | 24 |      | 11.5 | 16.3 | 14.1 | 13.5 | 25.4 | 29.4 |
| FH23-51S-0.3SHW(10) | CL586-1312-6-10 | 51             | 32 | 28.4 | 14.2 | 18.1 | 15.9 | 15.3 | 33.4 | 37.4 |
| FH23-61S-0.3SHW(10) | CL586-1310-0-10 | 61             | 32 | 28.4 | 14.2 | 21.1 | 18.9 | 18.3 | 33.4 | 37.4 |
| FH23-71S-0.3SHW(10) | CL586-1320-4-10 | 71             | 44 | 40.4 | 20.2 | 24.1 | 21.9 | 21.3 | 45.4 | 49.4 |

<TAPE WIDTH : 24mm MAX.>



<TAPE WIDTH : 32mm MIN.>



|            |             |                    |
|------------|-------------|--------------------|
| <b>HRS</b> | DRAWING NO. | EDC3-153547-04     |
|            | PART NO.    | FH23-*S-0.3SHW(10) |
|            | CODE NO.    |                    |

Apr.1.2017 Copyright 2017 HIROSE ELECTRIC CO., LTD. All Rights Reserved.