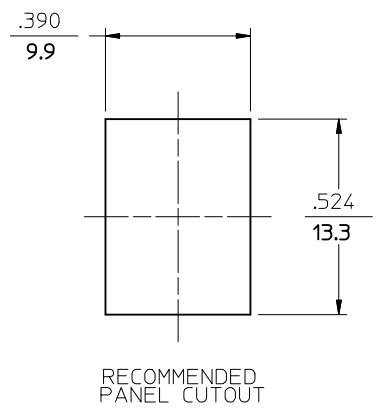
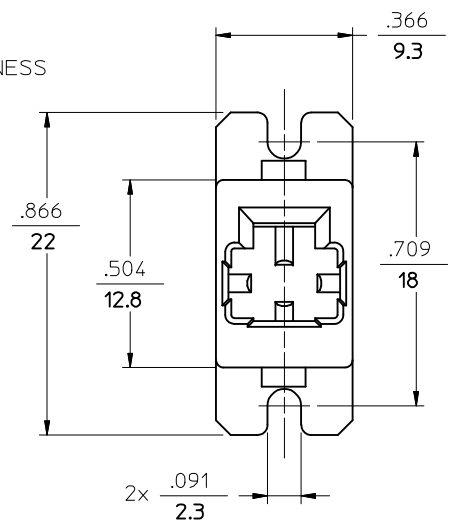
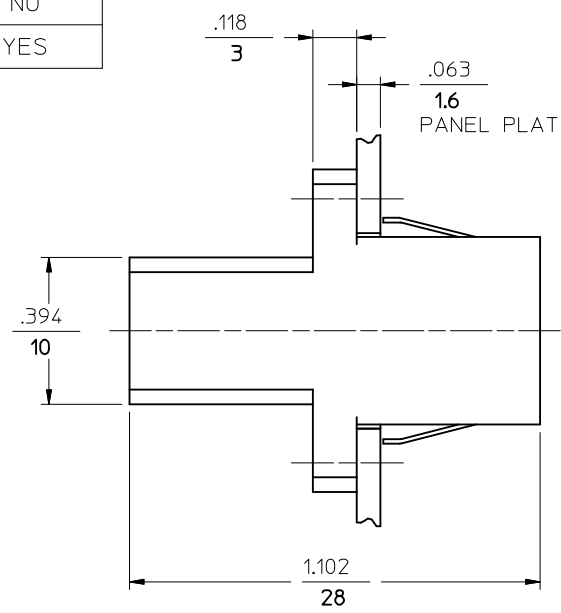


10 9 8 7 6 5 4 3 2 1

ADAPTER P/N	BULK PACKAGING
106102-0100	NO
106102-0120	YES



NOTES:

- OPTIONAL SELF TAPPING MOUNTING SCREWS INCLUDED (NOT SHOWN).
- P/N 106102-0120 IS BULK PACKED IN QUANTITIES OF 100 PCS.

<b>ENTER DESCRIPTION</b> EC NO: MF2009-0224 DR: MANKPEVZNER 2008/11/11 CHKD: 2008/11/11 APPR: LGUMIN 2008/11/13 REV A1	<b>QUALITY SYMBOLS</b> ▽=0 ▽7=0	<b>GENERAL TOLERANCES (UNLESS SPECIFIED)</b> <table border="1"> <tr> <th></th> <th>mm</th> <th>INCH</th> </tr> <tr> <td>4 PLACES</td> <td>± .005</td> <td>± .0005</td> </tr> <tr> <td>3 PLACES</td> <td>± .004</td> <td>± .0004</td> </tr> <tr> <td>2 PLACES</td> <td>± .003</td> <td>± .0003</td> </tr> <tr> <td>1 PLACE</td> <td>± .002</td> <td>± .0002</td> </tr> </table>		mm	INCH	4 PLACES	± .005	± .0005	3 PLACES	± .004	± .0004	2 PLACES	± .003	± .0003	1 PLACE	± .002	± .0002	<b>DIMENSION STYLE</b> IN/MM	<b>SCALE</b> 4:1	<b>DESIGN UNITS</b> INCH	THIRD ANGLE PROJECTION
		mm	INCH																		
	4 PLACES	± .005	± .0005																		
	3 PLACES	± .004	± .0004																		
2 PLACES	± .003	± .0003																			
1 PLACE	± .002	± .0002																			
DRAFT WHERE APPLICABLE MUST REMAIN WITHIN DIMENSIONS		MATERIAL NO. SEE TABLE	DRAWN BY: RPACIFICI DATE: 2005/10/25	CHECKED BY: DATE:	<b>TITLE</b> MT-RJ ADAPTER (WITH MOUNTING PLATE)																
		APPROVED BY: DATE:	<b>MOLEX INCORPORATED</b>		DOCUMENT NO. SD-106102-0100	SHEET NO. 1 OF 1															
THIS DRAWING CONTAINS INFORMATION THAT IS PROPRIETARY TO MOLEX INCORPORATED AND SHOULD NOT BE USED WITHOUT WRITTEN PERMISSION																					

9 8 7 6 5 4 3 2 1