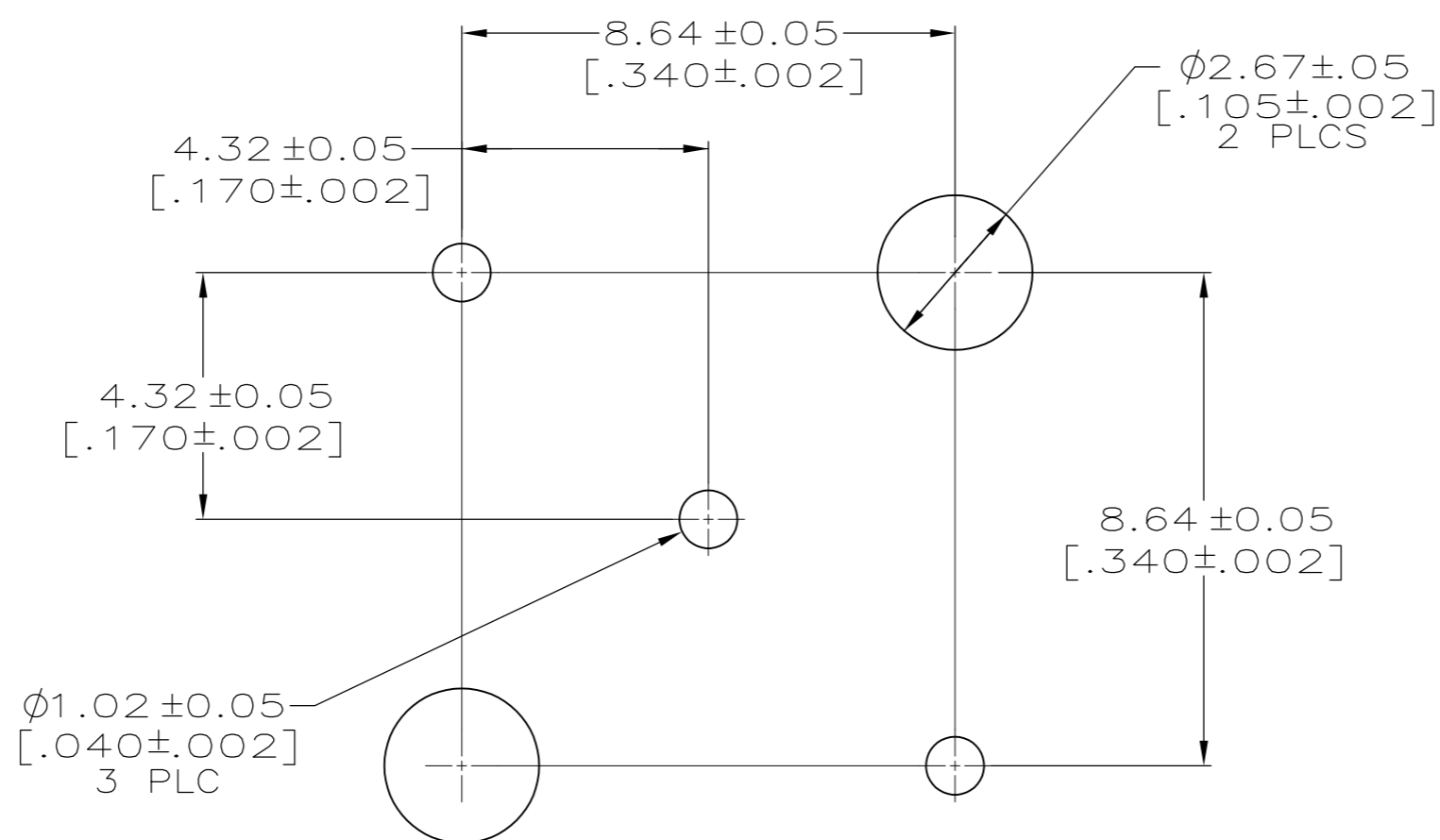
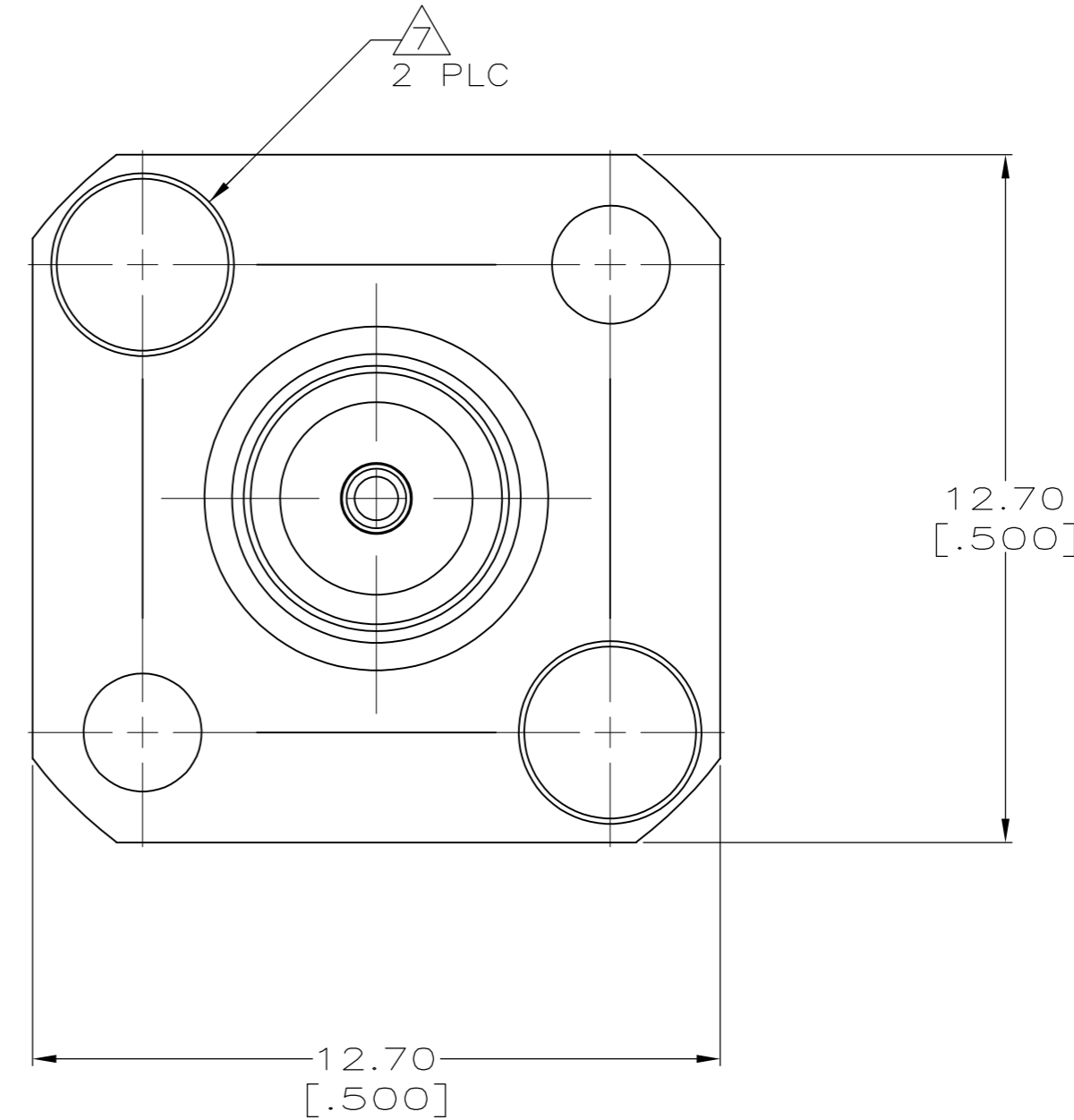
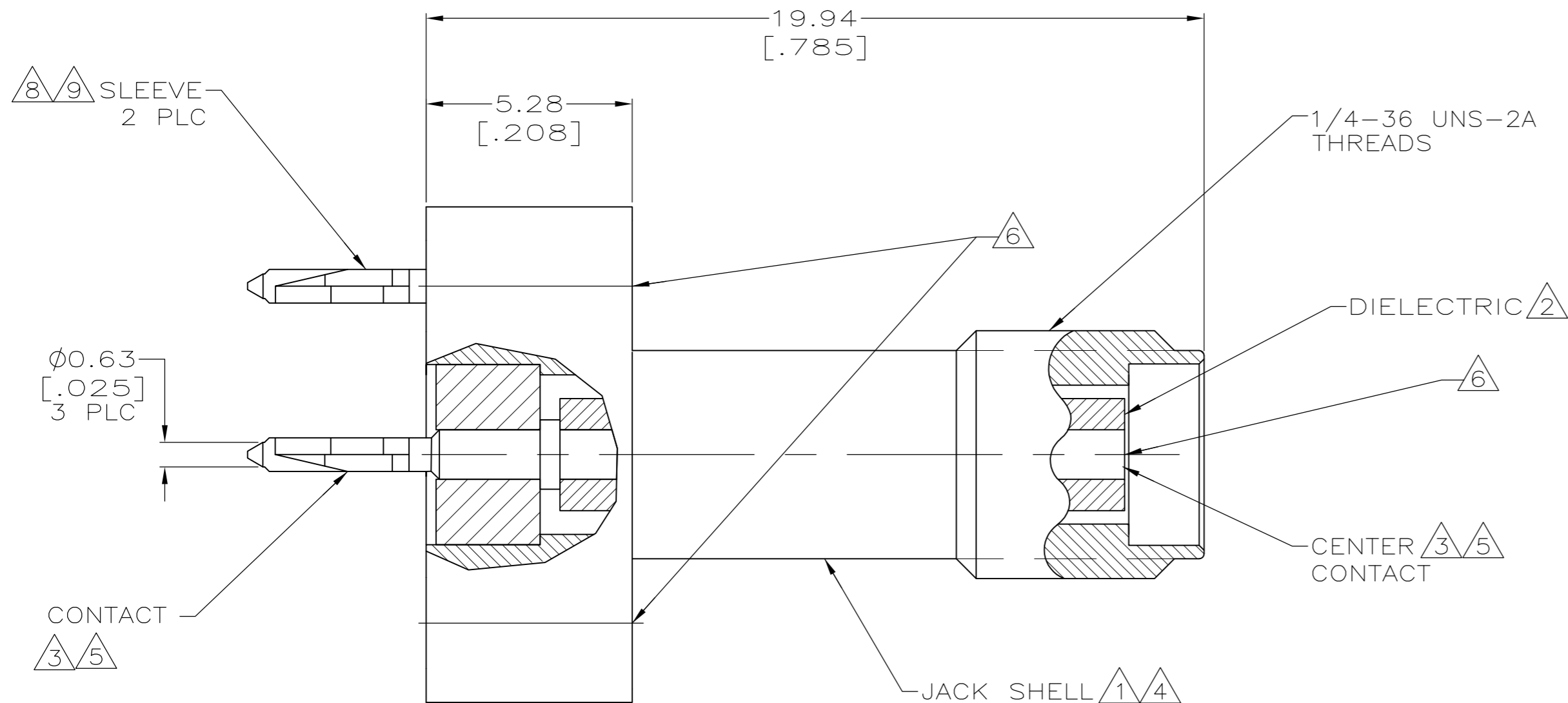


THIS DRAWING IS UNPUBLISHED. RELEASED FOR PUBLICATION
 © COPYRIGHT - By - ALL RIGHTS RESERVED.

LOC	DIST	REVISIONS			
P	LTR	DESCRIPTION	DATE	DWN	APVD
AJ	16	D1	ECR-12-005726	27MAR12	RK MY

- ① BRASS PER ASTM-B-16.
- ② PTFE PER ASTM-D-1710.
- ③ BERYLLIUM COPPER PER ASTM-B-196.
- ④ NICKEL PLATE PER QQ-N-290.
- ⑤ GOLD PLATE PER ASTM-B-488.
- ⑥ APPLY FORCE IN THESE AREAS TO ASSEMBLE CONNECTOR INTO PC BOARD.
- ⑦ 2-56 UNC-2B.
- ⑧ PHOS BRONZE PER ASTM-B-139.
- ⑨ TIN-LEAD PLATE PER ASTM-B-545



RECOMMENDED PCB CONFIGURATION

1274096-1
 PART NUMBER

THIS DRAWING IS A CONTROLLED DOCUMENT.		DWN M. OBRINE 19AUG98	TE Connectivity	
DIMENSIONS: mm [INCHES]		CHK J. CABARLO 19AUG98		
TOLERANCES UNLESS OTHERWISE SPECIFIED:		APVD J. CABARLO 19AUG98	NAME	
0 PLC ± -	1 PLC ± -	PRODUCT SPEC	JACK, ACTION PIN, PCB, SMA	
2 PLC ± 0.13 [.005]	3 PLC ± -	APPLICATION SPEC	SIZE A2	CAGE CODE 00779
4 PLC ± -	ANGLES ± -	WEIGHT -	DRAWING NO C=1274096	RESTRICTED TO -
MATERIAL ① ② ③	FINISH ④ ⑤	CUSTOMER DRAWING	SCALE 8:1	SHEET 1 of 1
			REV D1	