

OPERATING CHARACTERISTICS AT T_A= 25°C

LED CHARACTERISTICS	MIN.	TYP.	MAX.	UNITS	TEST CONDITIONS
LUMINOUS INTENSITY	880		2500	mcd	I _F = 20 mA
VIEWING ANGLE (2 Θ 1/2)		30		deg.	
FORWARD VOLTAGE		3.2	3.7	V	I _F = 20 mA
REVERSE CURRENT	10			μA	V _R = 5 V

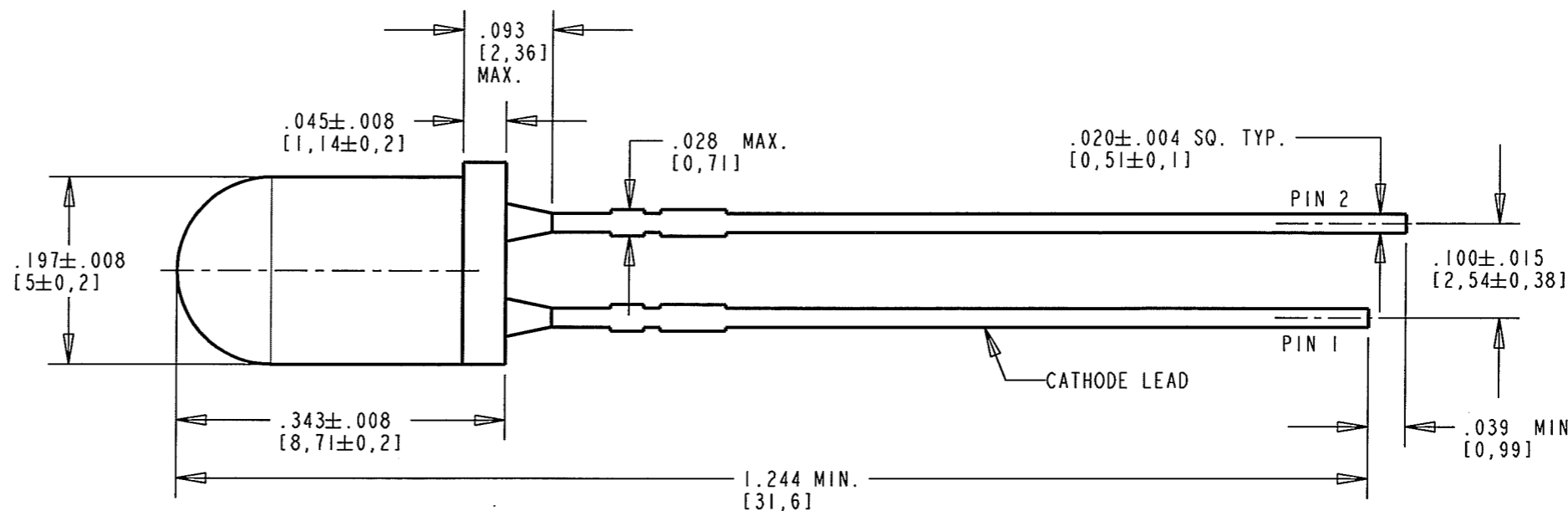
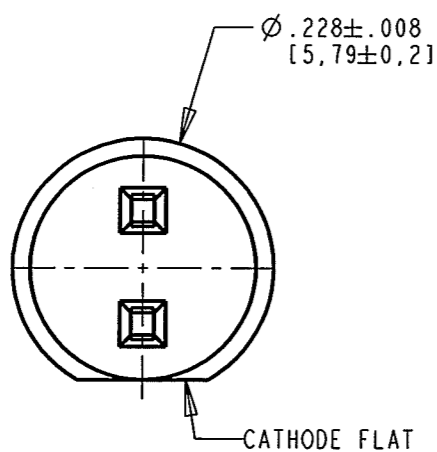
ABSOLUTE MAXIMUM RATINGS AT T_A= 25°C

PARAMETER	VALUE	UNITS
DC FOWARD CURRENT	30	mA
PEAK FORWARD CURRENT	100	mA
POWER DISSIPATION	111	mW
REVERSE VOLTAGE (I _R = 10μA)	5	V
OPERATING TEMPERATURE RANGE	-40 to +80	°C
STORAGE TEMPERATURE RANGE	-40 to +100	°C
DIP-DRAG SOLDER TEMPERATURE	260 FOR 5 SECS.	°C

REV	ECN NO	REVISIONS	DRN	CKD	APP	DATE
A		NEW RELEASE	KLJ	M.D.	10	3-20-08

NOTES:

- LENS COLOR: WATER CLEAR.
- DIE: InGaN BLUE COATED WITH A PHOSPHOR TO PRODUCE WHITE.
- LEAD SPACING MEASURED NEAR EPOXY PACKAGE.
- PIN NUMBERS FOR REFERENCE ONLY; DESIGNATION NON-EXISTENT ON PART.
- DIALIGHT P/N: 521-9948F
- BULK PACKAGING
- THIS ASSEMBLY CONTAINS ELECTROSTATIC DISCHARGE SENSITIVE DEVICES (ESDS). MAINTAIN ALL PRECAUTIONARY MEASURES DURING ASSEMBLY, HANDLING, AND STORAGE IN ACCORDANCE WITH IPC-A-610.
- THIS PRODUCT IS RoHS COMPLIANT. EACH BAG IS MARKED WITH RoHS COMPLIANT LABEL OR EQUIVALENT MARKINGS. LED MUST BE Pb FREE.



RoHS COMPLIANT 521-9948F

Part Numbers with the "F" suffix ending are RoHS Compliant. Packaging is marked with "RoHS Compliant" label or equivalent markings. Parts can be wave soldered, dip soldered or hand soldered using typical lead-free soldering process with max 260°C temp. for 5 sec.



ATTENTION:
OBSERVE PRECAUTIONS FOR
HANDLING ELECTROSTATIC
SENSITIVE DEVICES

BIN	LIMITS (CHROMATICITY COORDINATES)				
	X	Y	Z	U	V
1	X	0.330	0.330	0.356	0.361
	Y	0.360	0.318	0.351	0.385
2	X	0.287	0.296	0.330	0.330
	Y	0.295	0.276	0.318	0.339
3	X	0.264	0.280	0.296	0.283
	Y	0.267	0.248	0.276	0.305
4	X	0.283	0.287	0.330	0.330
	Y	0.305	0.295	0.339	0.360

THIS DRAWING AND THE CONTENTS HEREIN ARE CONFIDENTIAL AND THE SOLE PROPERTY OF DIALIGHT. REPRODUCTION OF THIS DRAWING OR CONSTRUCTION OF ANY PARTS WITHIN THIS DRAWING ARE FORBIDDEN WITHOUT THE WRITTEN CONSENT OF DIALIGHT.		
SCALE: 6.000	DRAWING NUMBER	REV
ALL DIM'S IN: INCHES (MM)	C-17600	A
TOLERANCES: UNLESS OTHERWISE SPECIFIED	TITLE Ø5.0mm WHITE LED RoHS COMPLIANT	
FRACTIONS: ±1/64	MATERIAL	
DECIMALS (.XX): ±.01	Dialight	
DECIMALS (.XXX): ±.005	1501 ROUTE 34 SOUTH FARMINGDALE, NJ 07727	
DECIMALS (.XXXX): ±.0005	FSCM 83330	
ANGLES: ±1°	SHEET 1 OF 1 FAMILY TABLE:	
FINISH:		