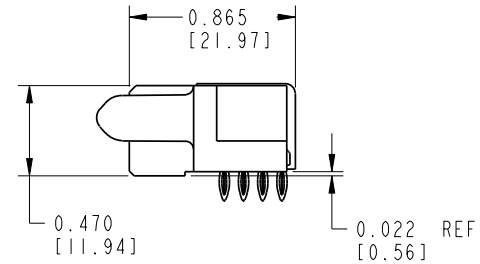
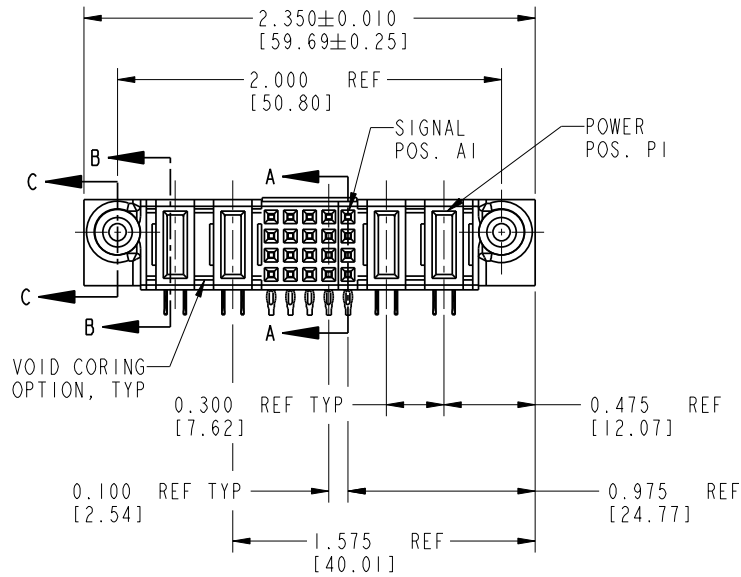


Tous droits strictement réservés. Reproduction ou communication o des liers interdite sous quelque forme que ce soit sans autorisation écrite du propriétaire. Propriété de c FCI. Drois de reproduction FCI.

All rights strictly reserved. Reproduction or issue to third parties in any form whatever is not permitted without written authority from the proprietor. Property of FCI. Copyright FCI.

**FCI**

PRODUCT No.	ROWS	POWER			SIGNAL				POWER		E1	
		E2	P4	P3	5	4	3	2	1	P2		P1
51866-005-- NOTE: 1	D C B A											



CODE	DIM "M" ±0.010[0.25]	DIM "T" ±0.010[0.25]	CONTACT TYPE
N	N/A [N/A]	0.154 [3.91]	SIGNAL
P	N/A [N/A]	0.154 [3.91]	SIGNAL
R	N/A [N/A]	0.154 [3.91]	SIGNAL
S	N/A [N/A]	0.154 [3.91]	SIGNAL
PF	0.092 [2.34]	0.154 [3.91]	POWER

mat'l code				SEE NOTE		tolerances unless otherwise specified		CUSTOMER		<b>FCI</b> www.fciconnect.com	
lir	ecn no.	dr	date	linear	.XX±.01/0.X±0.3		COPY		title 2P + 20S + 2P RIGHT ANGLE PRESSFIT RECEPTACLE		
A	V12501	JWS	10/15/01		.XXX±.005/0.XX±0.13		projection				
B	DG05-0530	GuoJM	12/09/05	angles	.XXX±.0020/0.XXX±0.051		INCH/MM		product family PwrBlade code 213		
					0°±2°		scale 1:1		size dwg no 51866-005 sheet 1 of 2		
sheet index	revision sheet	B 1	B 2								

Tous droits strictement réservés. Reproduction ou communication a des tiers interdite sous quelque forme que ce soit sans autorisation écrite du propriétaire. Propriété de c FCI. Droits de reproduction FCI.

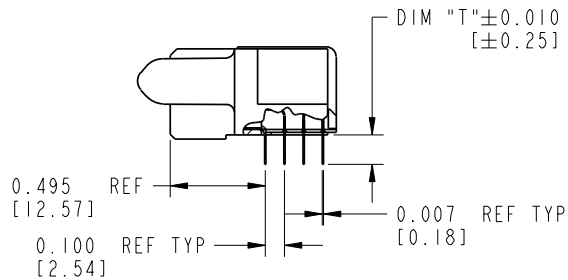
**FCI**

All rights strictly reserved. Reproduction or issue to third parties in any form whatever is not permitted without written authority from the proprietor. Property of FCI. Copyright FCI.

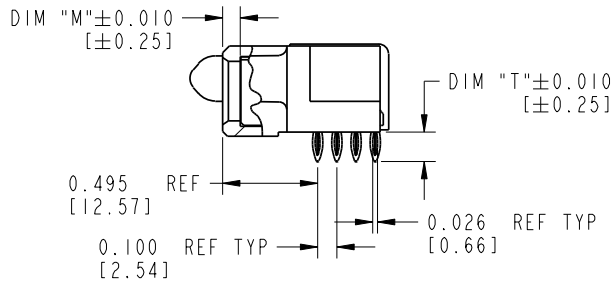
B

PRODUCT NUMBER

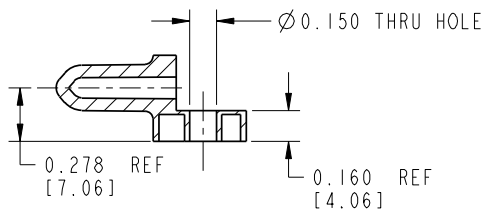
51866-005\_\_  
NOTE: 1



SECTION A-A  
SCALE 1:1



SECTION B-B  
SCALE 1:1



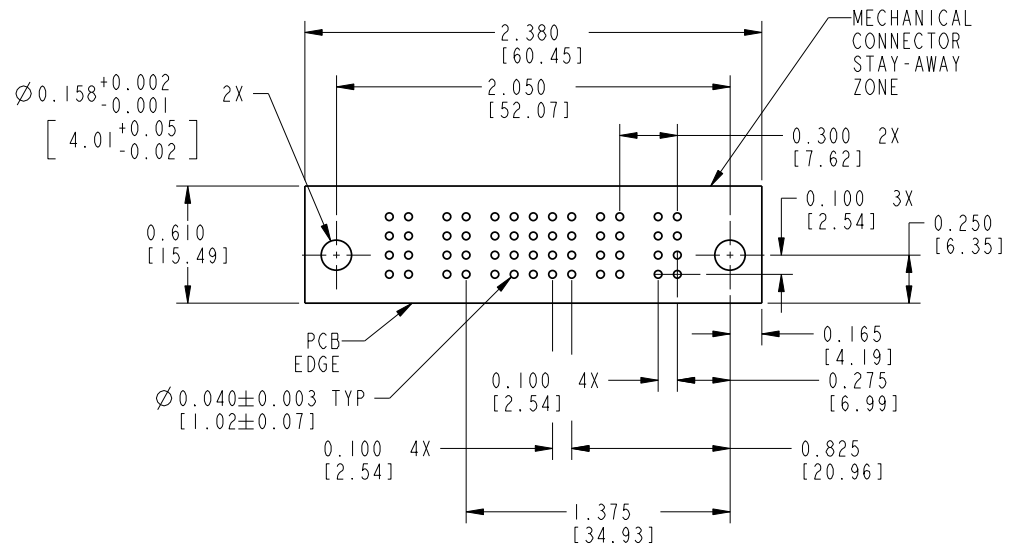
SECTION C-C  
SCALE 1:1

CONNECTOR NOTES:

① FOR ADDITIONAL INFORMATION, REFER TO DRAWING NUMBER 51866.

PCB NOTES:

- ALL DIMENSIONS ARE BASIC UNLESS OTHERWISE SPECIFIED.
- ALL THROUGH HOLES ARE LOCATED WITH A TRUE POSITION OF 0.004 [0.10]
- ALL HOLE DIAMETERS ARE FINISHED HOLE SIZE.
- Ø0.158 THROUGH HOLES ARE UNPLATED.
- Ø0.0453±0.0010 [1.151±0.025] DRILLED HOLES PLATED WITH 0.0003 [0.008] MIN SnPb OVER 0.001 [0.03] TO 0.003 [0.08] Cu PLATING TO ACHIEVE A Ø0.040±0.003 [1.02±0.07] HOLE.
- USE FCI CAM TOOL 430140-XXX TO APPLY CONNECTOR TO PCB.



mat'l code		SEE NOTE		tolerances unless otherwise specified		CUSTOMER		<b>FCI</b>		www.fciconnect.com	
lir	ecn no.	dr	date	linear	.XX±.01/0.X±0.3	COPY		projection		title	
B				linear	.XXX±.005/0.XX±0.13	projection		INCH/MM		2P + 20S + 2P	
				angles	.XXX±.0020/0.XXX±0.051	INCH/MM		scale		RIGHT ANGLE PRESSFIT RECEPTACLE	
				dr	J. SHAFFER 10/15/01	scale		1:1		product family	
				enrg	J. ALLISON 10/15/01	size		A		PwrBlade	
				chr	J. ALLISON 10/15/01	dwg no		51866-005		code	
				appd	J. ALLISON 10/15/01	sheet		213		sheet	
sheet index		revision sheet								2	

1 | 2

Pro/E

PDM: Rev: B

STAT: Released

Printed: Dec 20, 2010

3 |

4

B