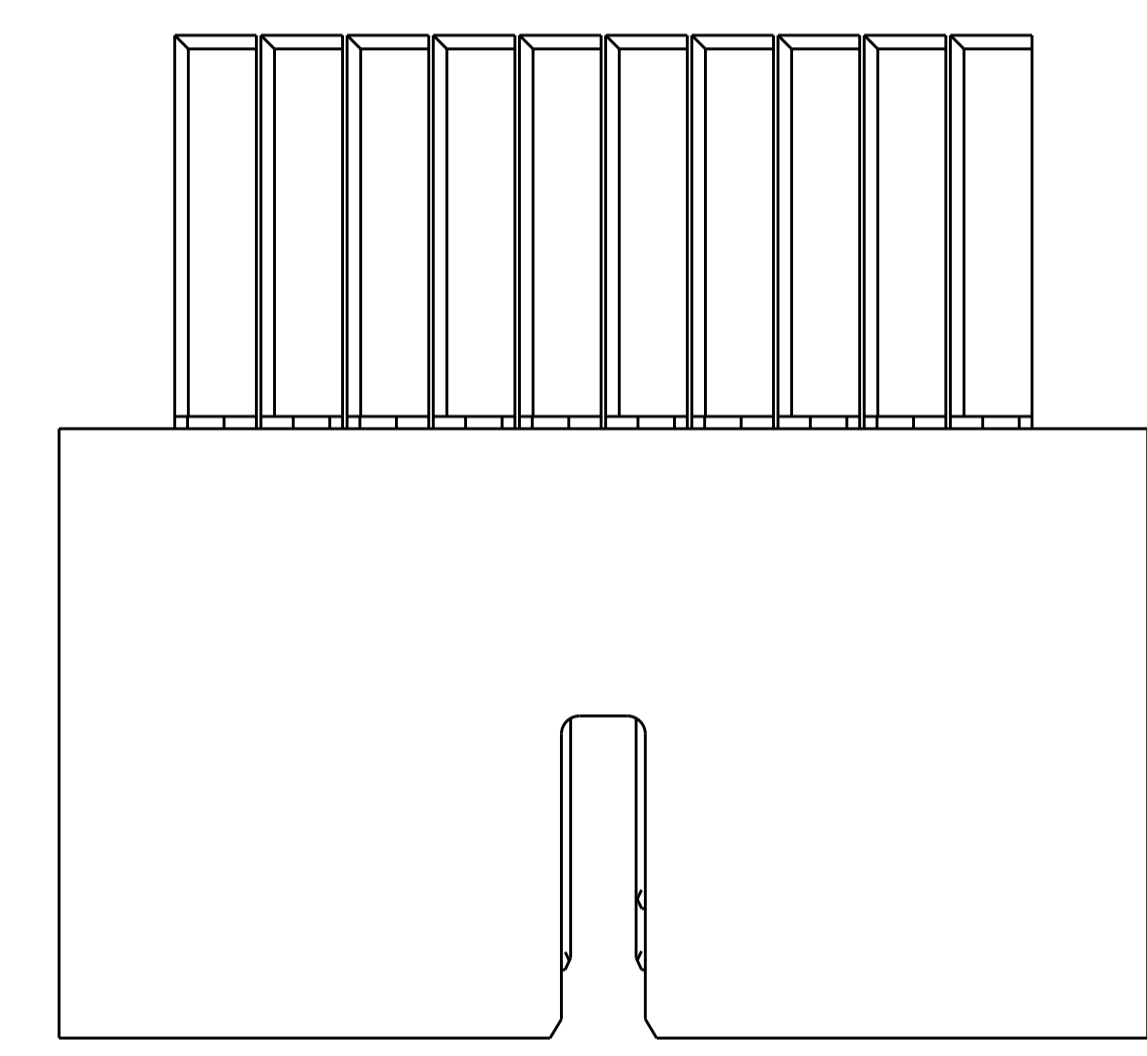
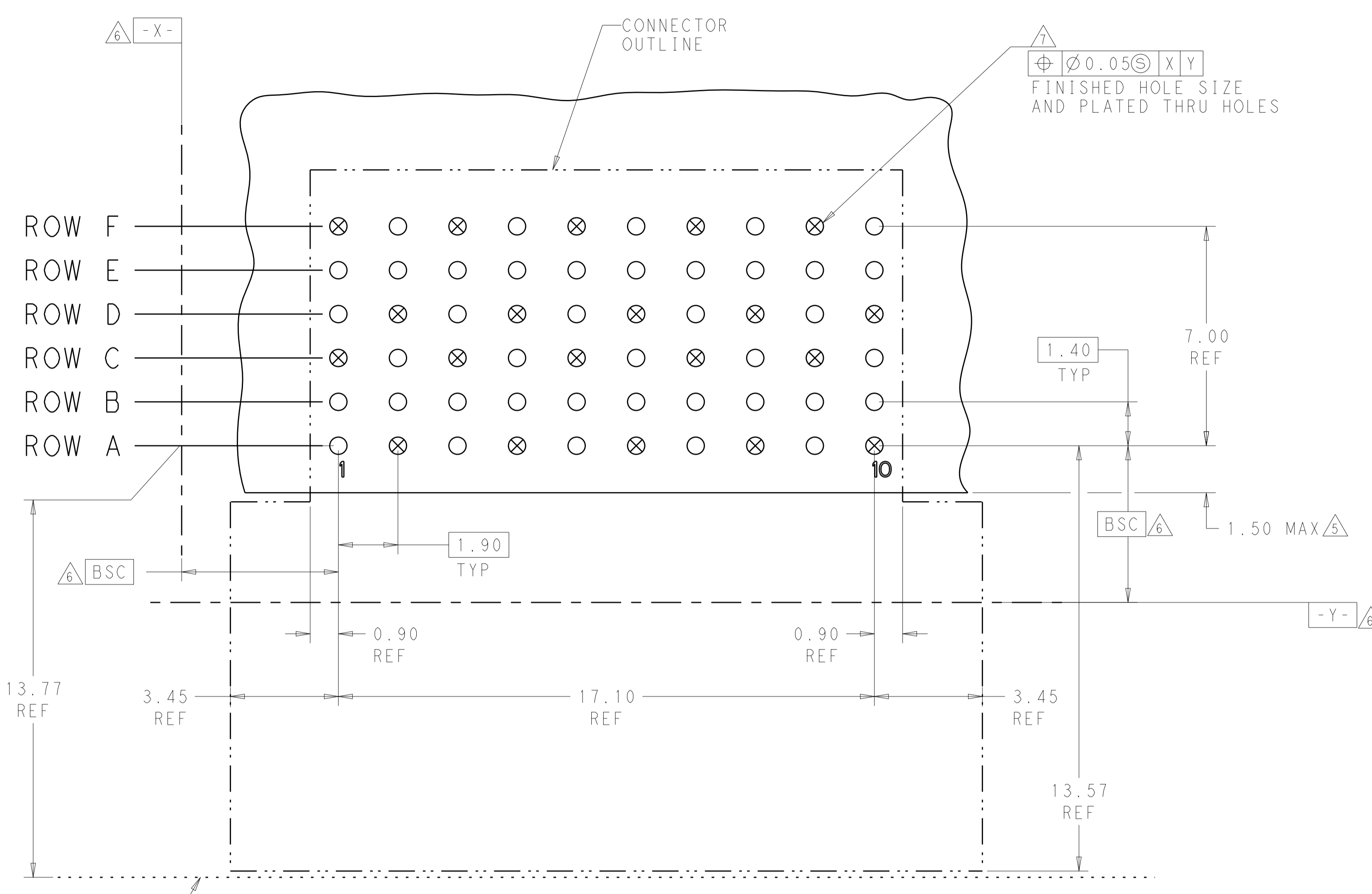
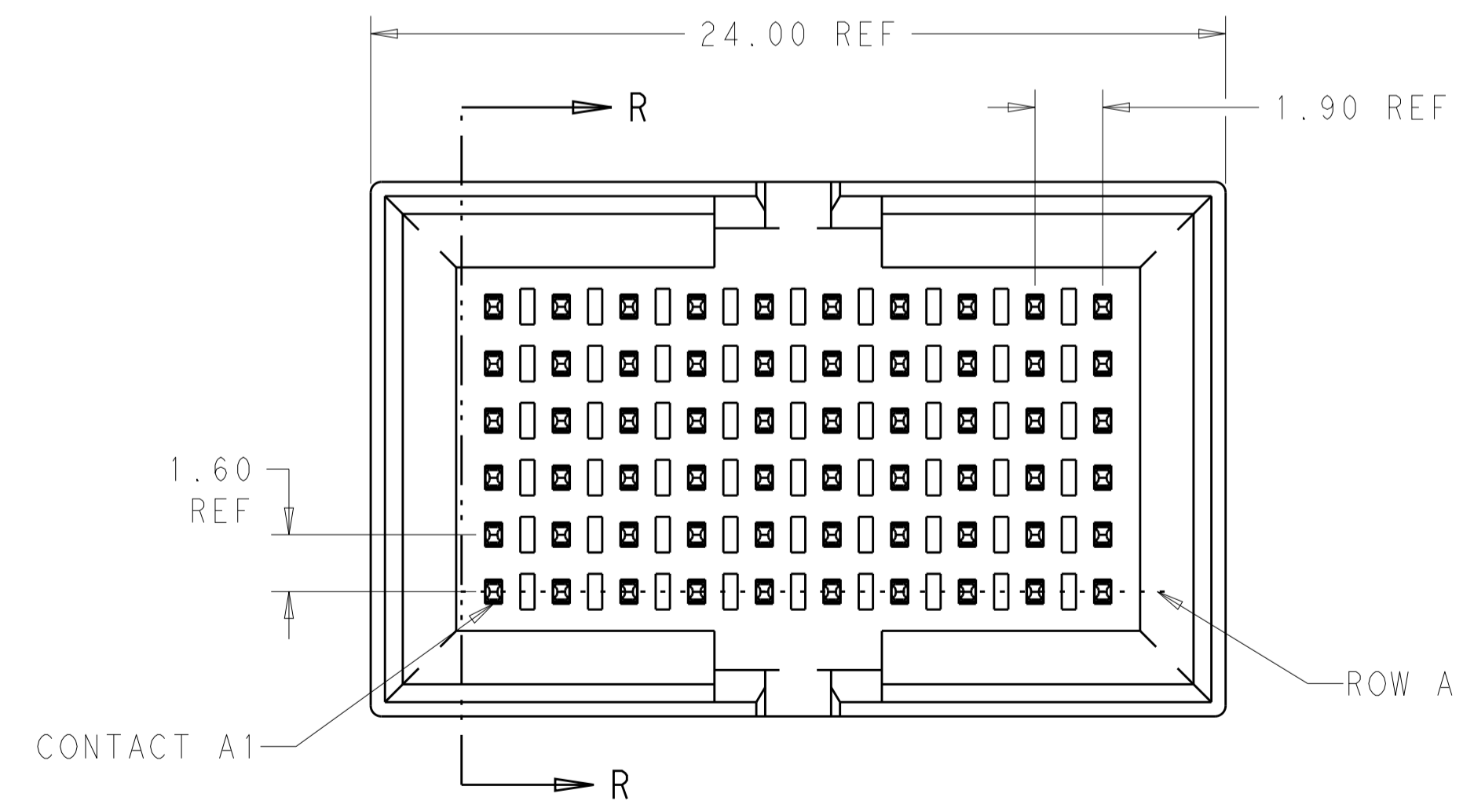
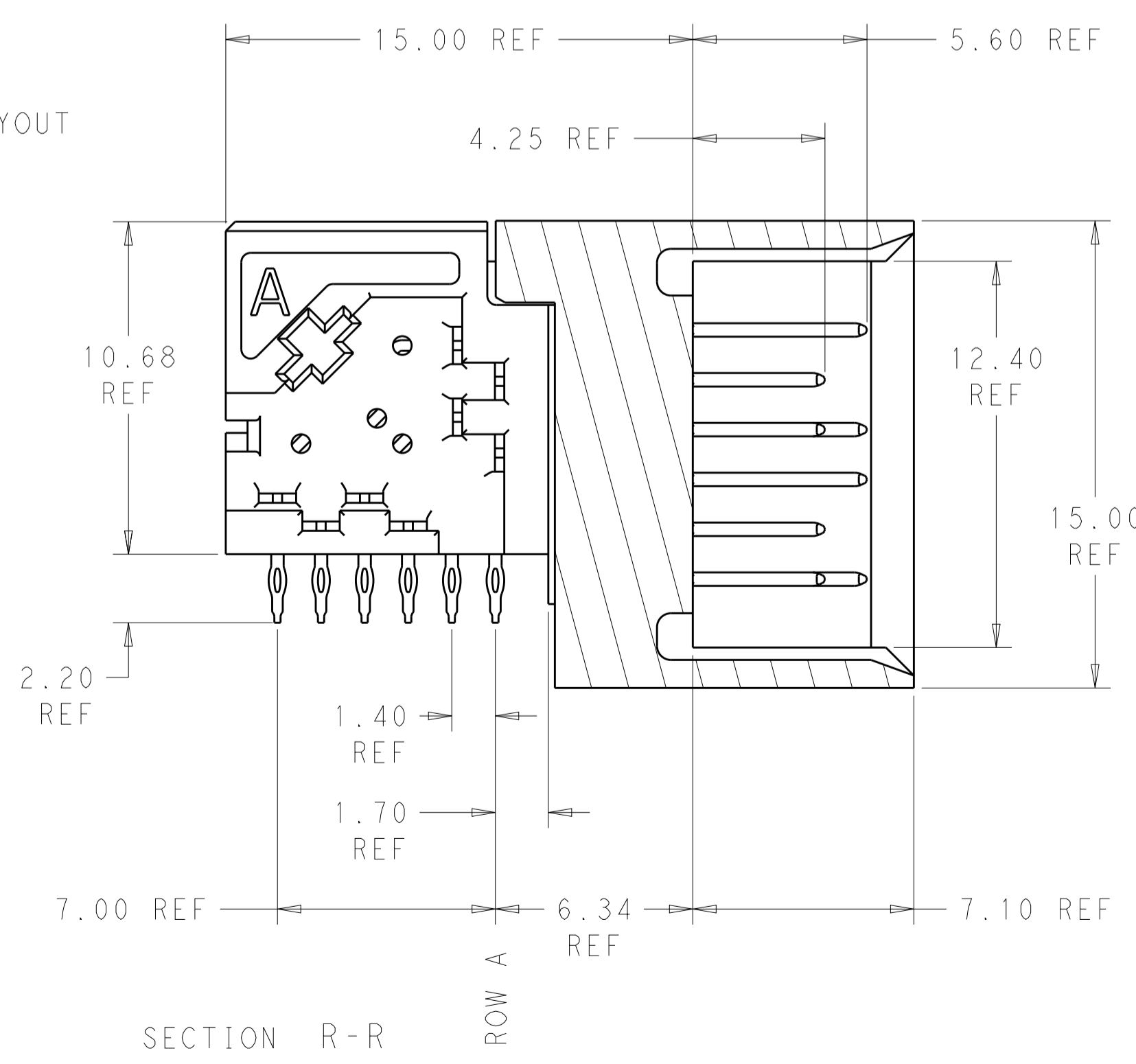


LOC		DIST		REVISIONS			
P	LTN	DESCRIPTION	DATE	DWN	APVD		
A		REVISED PER ECO-12-018102	11OCT2012	MGM	CT		
B		ECO-13-004759	01APR2013	KG	DH		



○ = SIGNAL
 ⊗ = GROUND

RECOMMENDED DIFFERENTIAL PAIR PC BOARD LAYOUT
 COMPONENT SIDE SHOWN
 SCALE 10:1



- 1 MATERIAL:
 CONTACT AND SHIELD: COPPER ALLOY
 HOUSING AND CHICKLET: LCP, COLOR: BLACK
- 2 FINISH:
 CONTACT: MATING AREA: 1.27μm MIN GOLD OVER
 1.27μm MIN NICKEL
 SHIELD: 1.27μm MIN NICKEL
- 3 FINISH:
 COMPLIANT PIN AREA: 0.5μm MIN BRIGHT TIN LEAD OVER
 1.27μm MIN NICKEL
- 4 FINISH:
 COMPLIANT PIN AREA: 0.5μm MIN MATTE TIN OVER
 1.27μm MIN NICKEL
- 5 DIMENSION APPLIES TO CENTERLINE OF THRU HOLE.
- 6 DATUMS AND BASIC DIMENSIONS ESTABLISHED BY CUSTOMER.
- 7 REFERENCE APPLICATION SPEC 114-13267 FOR RECOMMENDED PLATED THRU HOLE DIAMETER AND PLATING THICKNESS.
- 8 RECOMMENDED DIFFERENTIAL PAIR CONFIGURATION SHOWN. THE CONNECTOR UTILIZES AN OPEN PIN FIELD AND CAN BE LAID OUT IN A SINGLE-ENDED CONFIGURATION.

2 4	2102081-2
2 3	2102081-1
FINISH	PART NUMBER

THIS DRAWING IS A CONTROLLED DOCUMENT. DIMENSIONING AND TOLERANCING PER ASME Y14.5M-2009.		DWN: D. BELACK CHK: N. GARIBALDI APVD: M. McALONIS	ZANOV2010	TE Connectivity	
DIMENSIONS: mm		TOLERANCES UNLESS OTHERWISE SPECIFIED:		NAME: Fortis Zd, 2-PAIR, 10-COLUMN, R/A FULL SHROUD ASSEMBLY	
0 PLC	±	1 PLC	±0.13	PRODUCT SPEC	108-2409
2 PLC	±0.05	3 PLC	±	APPLICATION SPEC	114-13267
4 PLC	±	ANGLES	±2°	SIZE	CAGE CODE DRAWING NO
MATERIAL	FINISH	WEIGHT	~7.45g	A100779	©=2102081
Customer Drawing		SCALE	6:1	SHEET	1 OF 1