

4

3

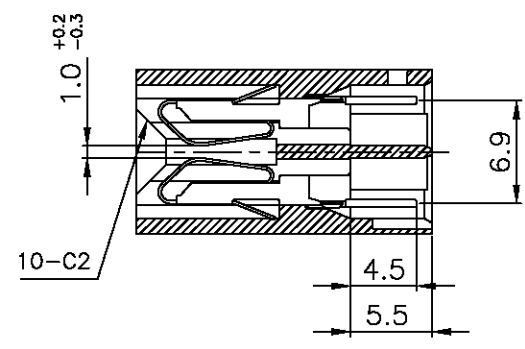
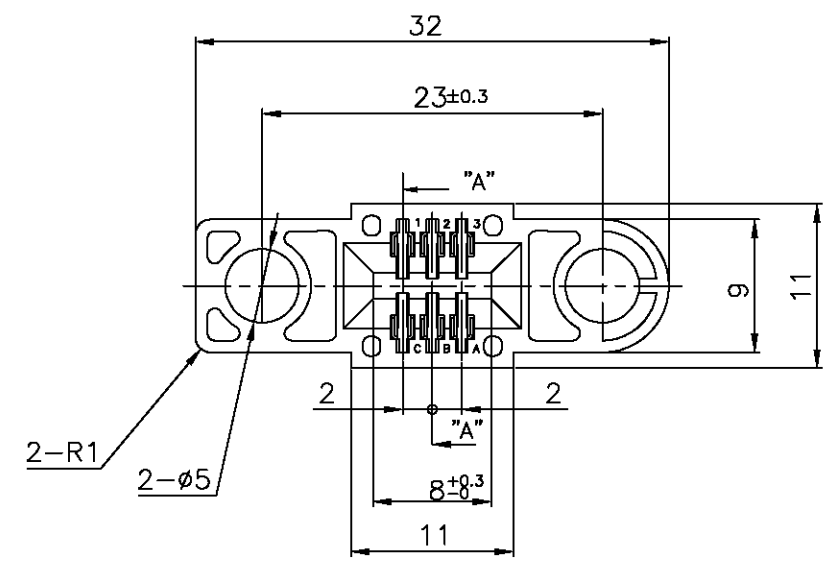
2

1

THIS DRAWING IS UNPUBLISHED. RELEASED FOR PUBLICATION  
 © COPYRIGHT BY TYCO ELECTRONICS CORPORATION. ALL RIGHTS RESERVED.

LOC	DIST	REVISIONS					
ES	00	P	LTR	DESCRIPTION	DATE	DWN	APVD
		A		REVISED FB00-0217-04	16DEC04	H.H	I.E

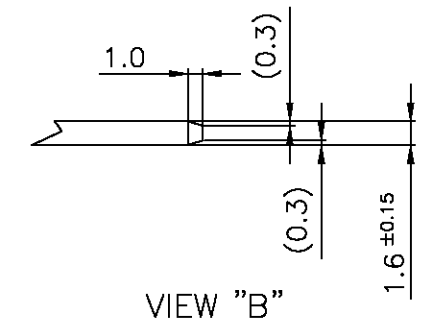
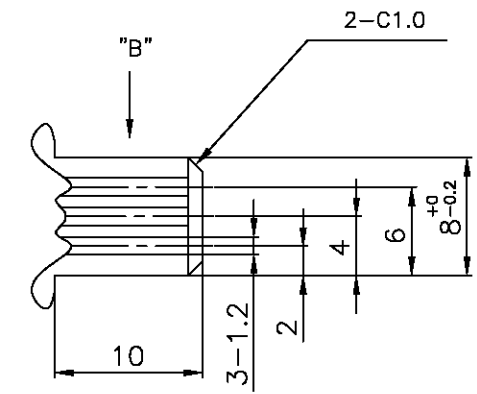
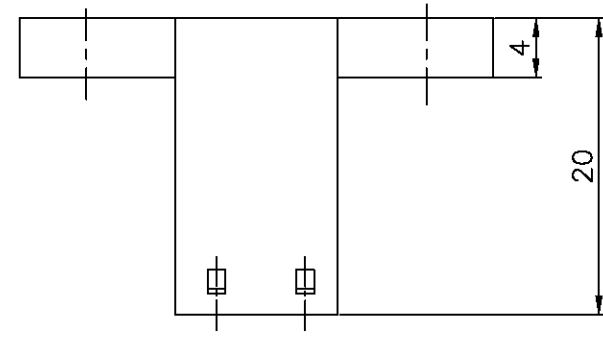
-1; AS SHOWN



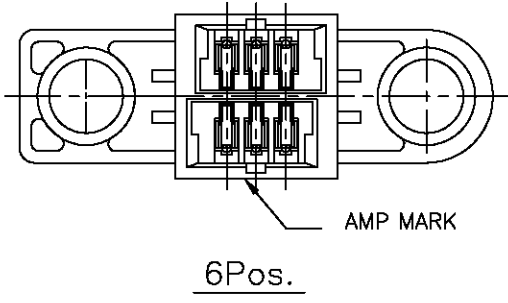
SECT "A"- "A"

NOTES:

1. MATERIAL: H.S.G: GLASS-FILLED P.B.T COLOR: BLACK  
CONTACT: COPPER ALLOY
2. FINISH: CONTACT: MATTE TIN PLATE UNDER PLATE NICKEL
3. MATING CONN. (WIRE SIDE AWG#26-#28)  
6POS. TYPE173977-3 OR 175778-3
4. SPEC.: CURRENT RATING 2A MAX./PIN
5. RECOMMENDED MATING P.C.B DIMENSIONS



VIEW "B"



TOLERANCES UNLESS OTHERWISE SPECIFIED

10 > *	: ±0.2
30 > * > 10	: ±0.25
100 > * > 30	: ±0.3
ANGLE	: ±3°

THIS DRAWING IS A CONTROLLED DOCUMENT.		DWN J.JIANG 05FEB03	Tyco Electronics Corporation Shanghai, P.R.China,200233													
DIMENSIONS: MM		CHK S.YAO 05FEB03														
TOLERANCES UNLESS OTHERWISE SPECIFIED:		APVD T.SASAKI 05FEB03	NAME 6 POS. CT CARD EDGE CONN. L=20mm													
<table border="1"> <tr> <td>0 PLC</td> <td>±</td> </tr> <tr> <td>1 PLC</td> <td>±</td> </tr> <tr> <td>2 PLC</td> <td>±</td> </tr> <tr> <td>3 PLC</td> <td>±</td> </tr> <tr> <td>4 PLC</td> <td>±</td> </tr> <tr> <td>ANGLES</td> <td>±</td> </tr> </table>		0 PLC	±	1 PLC	±	2 PLC	±	3 PLC	±	4 PLC	±	ANGLES	±	PRODUCT SPEC 108-60024	SIZE A3	
0 PLC	±															
1 PLC	±															
2 PLC	±															
3 PLC	±															
4 PLC	±															
ANGLES	±															
MATERIAL SEE NOTES		APPLICATION SPEC	CAGE CODE 00779	DRAWING NO C=292203												
FINISH SEE NOTES		WEIGHT	RESTRICTED TO -													
CUSTOMER DRAWING			SCALE 2:1	SHEET 1 OF 1												
			REV A													