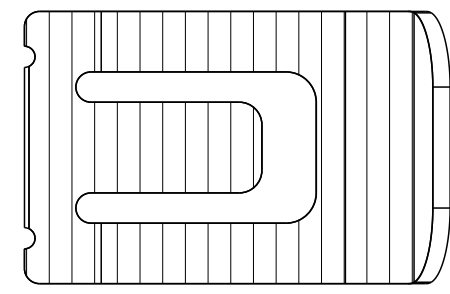
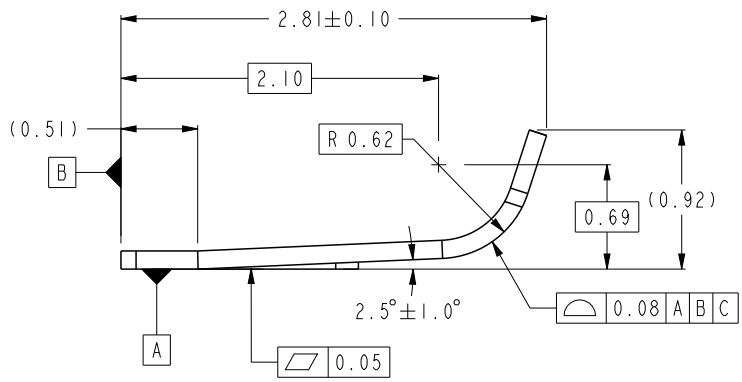


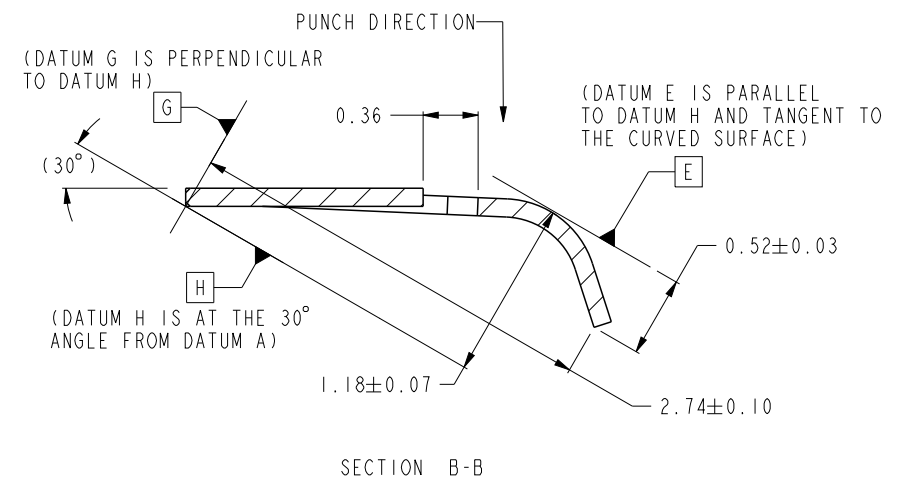
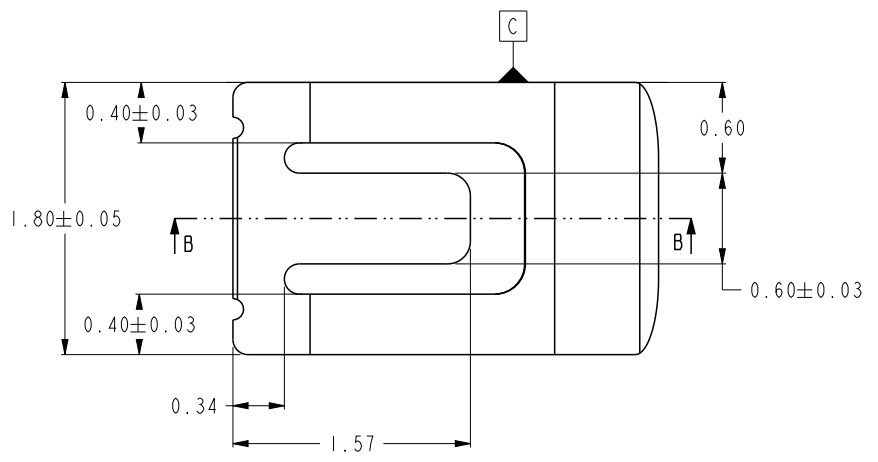


Copyright FCI.

FCI PART NO.	APPLE PART NO.
10129746-001RLF	806-01350



GRAIN DIRECTION



SECTION B-B

spec ref	*	dr	Eric Jiang	2014/04/11	projection 	mm ←→	size	A4	scale	20 : 1
tolerance std	TOLERANCES UNLESS OTHERWISE SPECIFIED	eng	Andy Lu	2014/11/25			ecn no	ELX-DG-19537-1		
ASME Y14.5		chr	-	-			rel level	Released		
surface	✓ linear	0.X	±0.1	FCI	title	UNIVERSAL CONTACT	dwg no	10129746	rev	D
ASME Y14.5		0.XXX	±							
	angular	0°	±1.5°							

PreE File - REV C - 2009-06-09

1

2

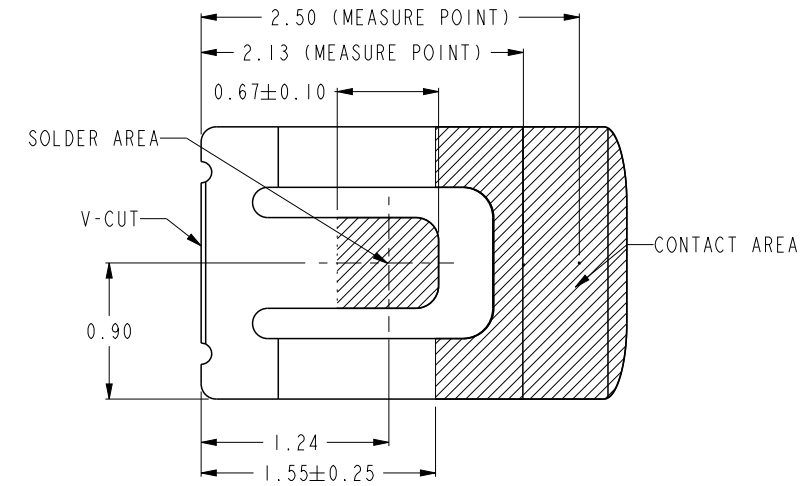
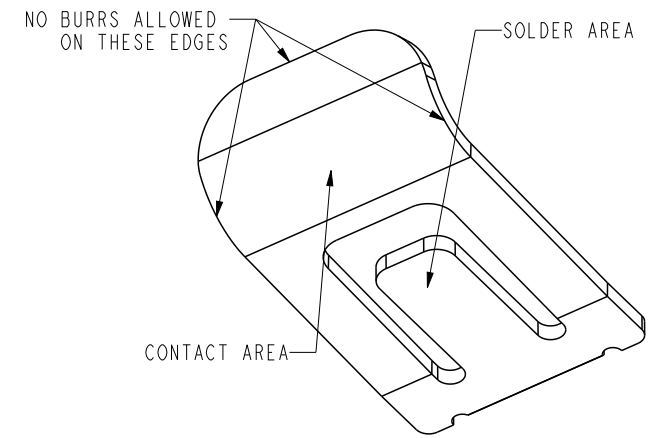
3

4

FCI PART NO.	APPLE PART NO.
10129746-001RLF	806-01350

NOTES:
 1. MATERIAL: COPPER ALLOY, 0.120+/-0.010 THICK.
 2. CONTACT PLATING:
 CONTACT AREA: PLATING 0.70um Au NOMINAL OVER 2um Ni UNDERPLATE,
 SOLDER AREA : PLATING 0.05um Au NOMINAL, 0.15um MAX OVER 2um Ni UNDERPLATE.
 3. ALL SURFACES TO BE WITHIN A SURFACE PROFILE TOLERANCE OF 0.10mm.
 4. MAXIMUM BURR ALLOWANCE IS 0.02mm EXCEPT V-CUT AREA.
 5. PACKAGING SPECIFICATION: GS-14-1216;
 6. PRODUCT SPECIFICATION: GS-12-1236;
 7. CONTACT SURFACE ROUGHNESS MUST BE LESS THAN 1000NM SA,
 8. THE PRODUCTS WHERE THE PART NUMBER ENDS IN LF MET THE EUROPEAN UNION DIRECTIVE AND OTHER COUNTRY REGULATIONS AS DESCRIBED IN GS-12-008.
 9. PART NUMBER DESCRIPTION:
 10129746-0 0 X X X

LF: LEAD FREE
 R: TAPE & REEL
 CONTACT PLATING:
 I: 0.70um Au OVER Ni



Copyright FCI.

spec ref *		dr Eric Jiang		2014/04/11		projection		size A4		scale 20:1	
tolerance std		eng Andy Lu		2014/11/25		mm		ecn no ELX-DG-19537-1		rel level Released	
ASME Y14.5		chr -		-							
TOLERANCES UNLESS OTHERWISE SPECIFIED		appr Pei-Ming Zheng		2014/11/26		product family -					
surface ✓	linear	0.X	±0.1	www.fci.com	title UNIVERSAL CONTACT	dwg no 10129746	rev D				
		0.XX	±0.05								
		0.XXX	±								
ASME Y14.5	angular	0°	±1.5°	cat. no.	10104320	Product - Customer Drw		sheet 2 of 2			

ProjE File - REV C - 2009-06-09

2

3

PDS: Rev :D

STATUS:Released

Printed: Nov 26, 2014