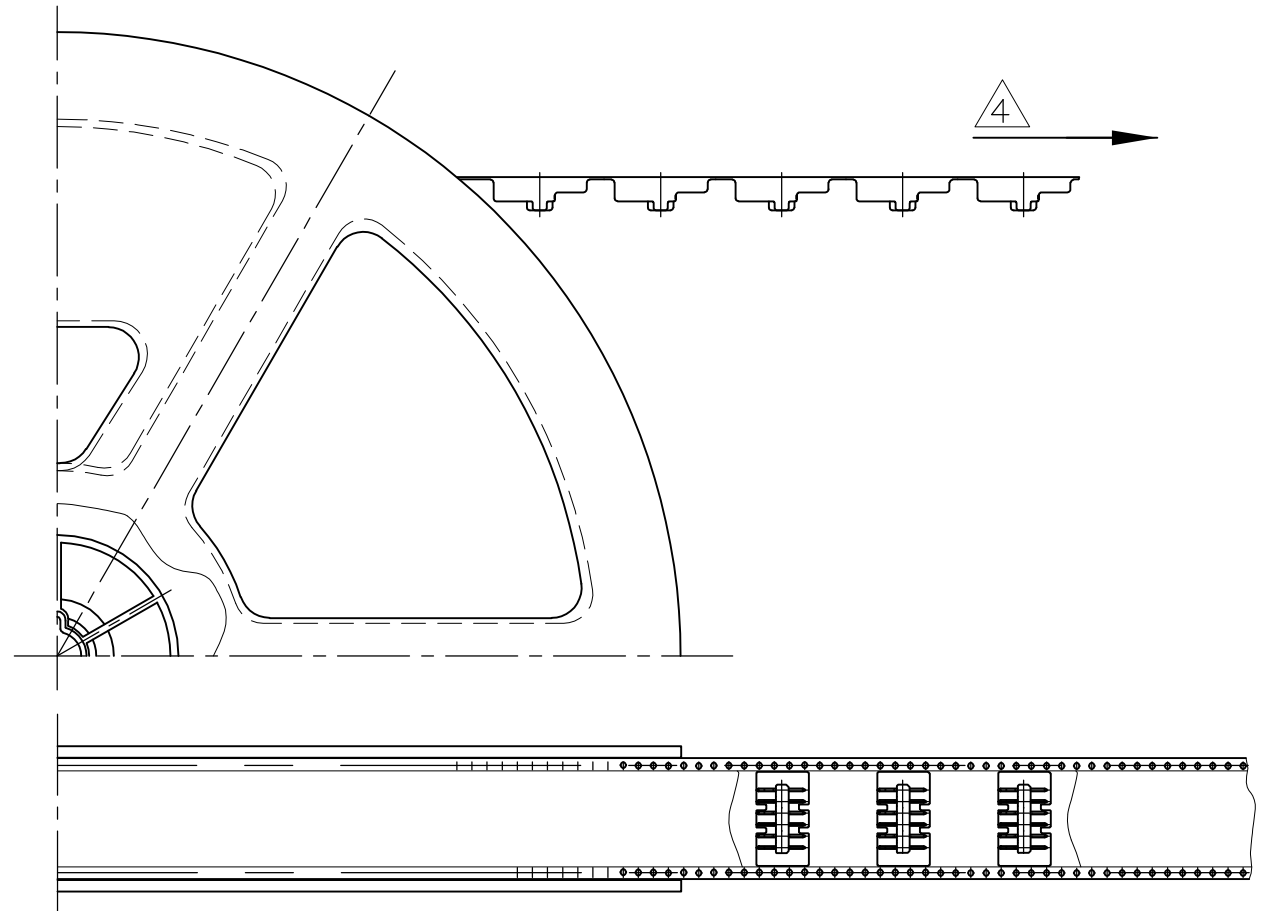
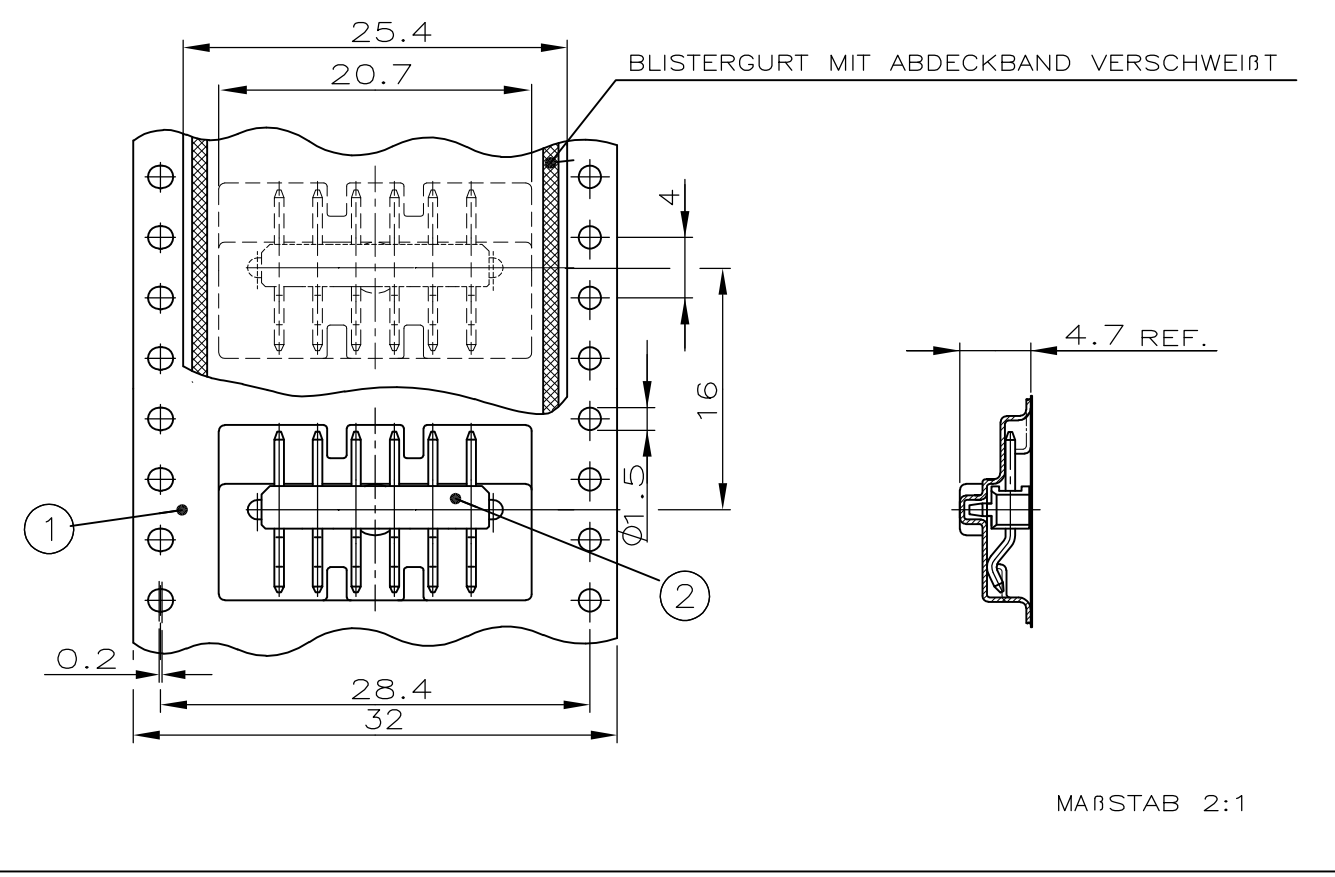


THIS DRAWING IS UNPUBLISHED. RELEASED FOR PUBLICATION
 © COPYRIGHT - By - ALL RIGHTS RESERVED.

LOC	DIST	REVISIONS			
P	LTR	DESCRIPTION	DATE	DWN	APVD
A1	-				
	D	BLISTER COLOR CHANGE FROM GREY TO BLACK	09JUN2013	KJK	RP



BEMERKUNGEN:

- ① SIEHE ZEICHNUNG 966 732
- ② VERPACKUNGSEINHEIT: 900 STÜCK STIFTLAISTEN PN 966 732
- ③ ANGABEN BEI DER BESTELLUNG:
z.B. BESTELLUNG VON 900 STIFTLAISTEN: 900 x 966 732-x
- ④ ABWICKELRICHTUNG

966 606-6 WIE GEZEICHNET

966606-8	2	AMPMODU II STIFTLAISTE SMD,8 POL. PN 966 732-8	①	①
	1	BLISTERGURT M. ABDECKBAND	PET	BLACK/TRANSP.
966606-6	2	AMPMODU II STIFTLAISTE SMD,6 POL. PN 966 732-6	①	①
	1	BLISTERGURT M. ABDECKBAND	PET	BLACK/TRANSP.
966606-4	2	AMPMODU II STIFTLAISTE SMD,4 POL. PN 966 732-4	①	①
	1	BLISTERGURT M. ABDECKBAND	PET	BLACK/TRANSP.
PART NUMBER	POS.	DESCRIPTION	MATERIAL	COLOR/FINISH

THIS DRAWING IS A CONTROLLED DOCUMENT.

DIMENSIONS: mm

TOLERANCES UNLESS OTHERWISE SPECIFIED:

0 PLC	± -
1 PLC	± -
2 PLC	± -
3 PLC	± -
4 PLC	± -
ANGLES	± -

MATERIAL: SEE TABLE

FINISH: SEE TABLE

DWN	A.HO	07.04.95	TE Connectivity	
CHK	M.SCHAARSCHMIDT	-		
APVD	-	-	NAME	
PRODUCT SPEC	-	-	AMPMODU II STIFTLAISTE SMD IN BLISTERGURT VERPACKT	
APPLICATION SPEC	-	-	SIZE	CAGE CODE
WEIGHT	-	-	A3	00779
CUSTOMER DRAWING			DRAWING NO	RESTRICTED TO
			C-966606	-
			SCALE	SHEET
			1:2	1 OF 1
			REV	D