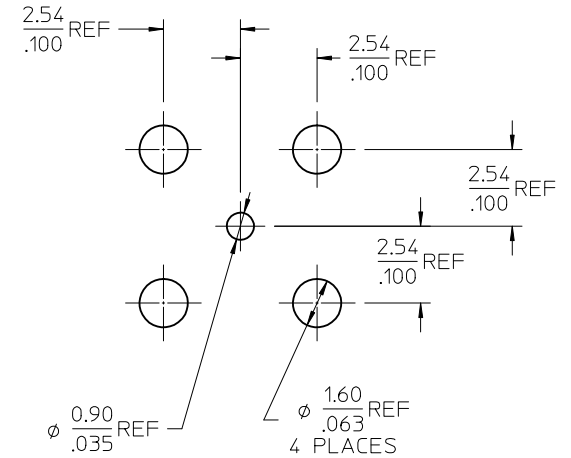
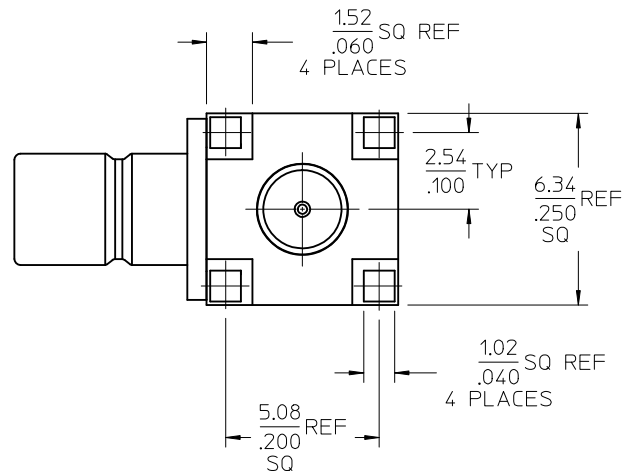
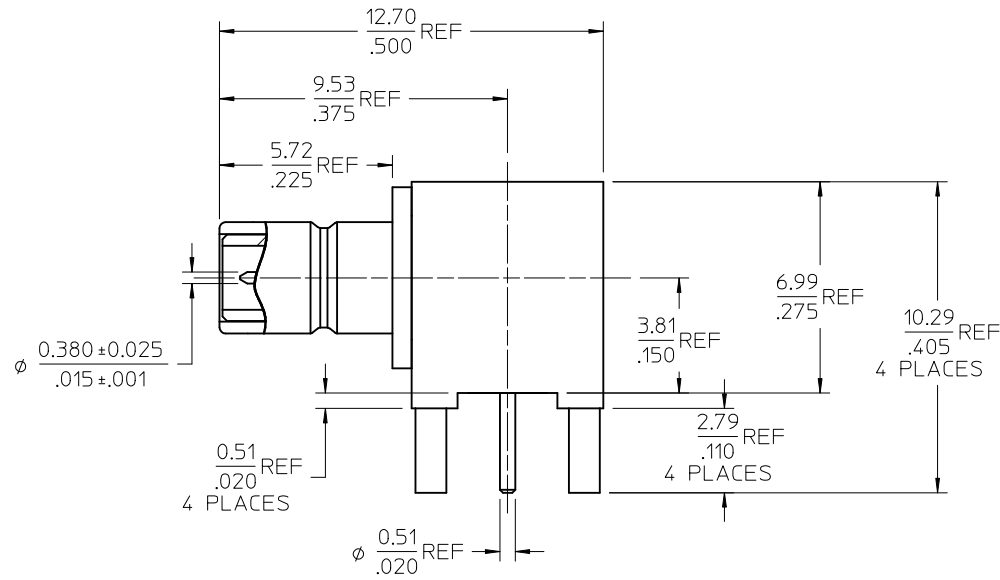
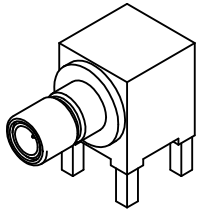


MATERIALS AND FINISHES

BODY BRASS
PLATED GOLD

CENTER CONTACT BRASS
PLATED GOLD

INSULATOR TEFLON



PS-89675-3540	ELECTRO/MECH. PERFORM.
SPECIFICATION	DESCRIPTION

73404-2980	ONE PER BAG
------------	-------------

73100-0175	TRAY
------------	------

PART NO.	PACKAGING
----------	-----------

CHG: ADD SINGLE BAG VERSION1 PS WAS 73598-0104

EC NO: URF2011-0567
 DRWING: WIENER 2011/03/30
 CHKD: SSS 2011/03/30
 APPR: WIENER 2011/03/31

QUALITY SYMBOLS
 ▼=0
 ▽=0

GENERAL TOLERANCES (UNLESS SPECIFIED)

	mm	INCH
4 PLACES	± .005	± .0002
3 PLACES	± .005	± .0002
2 PLACES	± .005	± .0002
1 PLACE	± .005	± .0002

ANGULAR ± 2°

DRAFT WHERE APPLICABLE MUST REMAIN WITHIN DIMENSIONS

DIMENSION STYLE: MM/IN

DRAWN BY: SEAN DATE: 1995/10/11

CHECKED BY: DATE:

APPROVED BY: DATE:

MATERIAL NO. SEE TABLE

SIZE: C

SCALE: METRIC

DESIGN UNITS: METRIC

THIRD ANGLE PROJECTION

TITLE: SMB JACK, R/A, PCB
75 OHMS .015 PIN SPECIAL
EWR-3421 SMB-J/RA/PCB

MOLEX MOLEX INCORPORATED

DOCUMENT NO. SD-73100-0175

SHEET NO. 1 OF 1

THIS DRAWING CONTAINS INFORMATION THAT IS PROPRIETARY TO MOLEX INCORPORATED AND SHOULD NOT BE USED WITHOUT WRITTEN PERMISSION