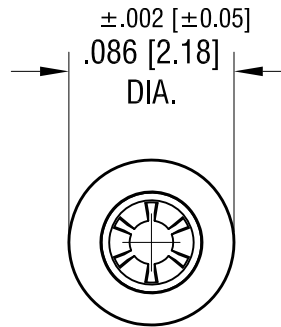
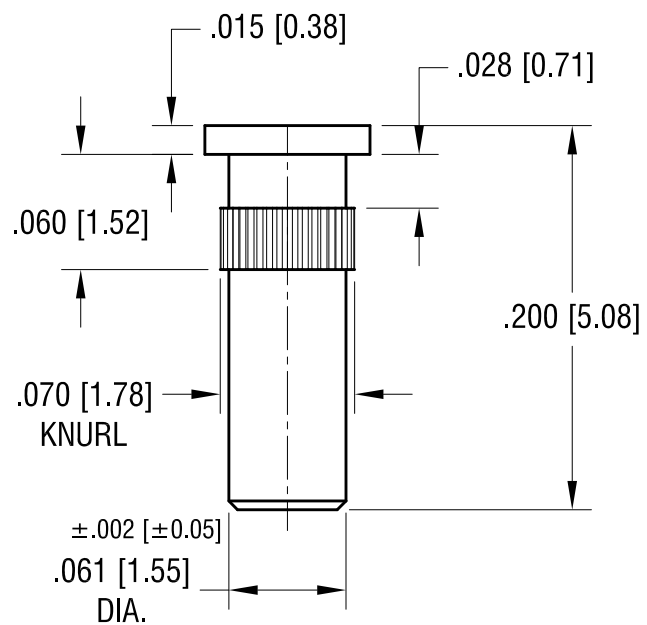
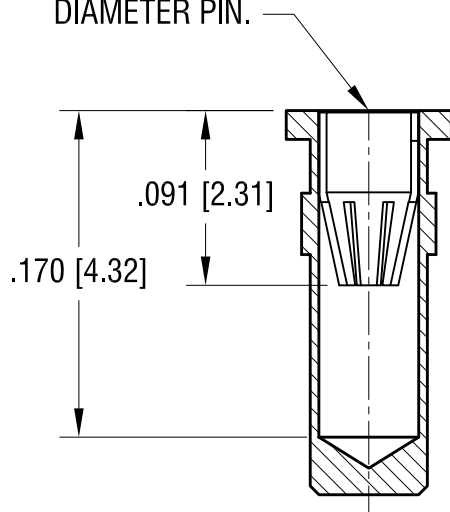


ACTUAL SIZE



6-FINGER CLOSED
ENTRY CONTACT FOR
.022 [0.56] - .034 [0.86]
DIAMETER PIN.



NOTES:

1. BODY:
MAT'L - BRASS
- SPRING CONTACT:
MAT'L - BERYLLIUM COPPER
2. MOUNTING HOLE DIA.: .067 [1.70]

KEYSTONE ELECTRONICS CORP.			
www.keyelco.com • ASTORIA, N.Y. 11105-2017 • Tel (718) 956-8900			
PART NAME		MICRO JACK, PRESS-FIT	
MATERIAL		AS NOTED	
FINISH		DRN BY	DATE
GOLD PLATE		NT	12.21.10
		APP'D	SCALE
		LN	10X
TOLERANCES	INCH	[MM]	CODE
DECIMAL	± .005	[± 0.13]	C
ANGULAR	± 1°		
UNLESS OTHERWISE SPECIFIED			DWG NO.
			1416

DATE	DESCRIPTION	REV.