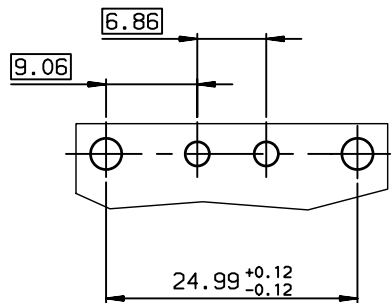


LAYOUT DIMENSIONS (after plating)  
CONNECTOR SIDE VIEW



TIN LEAD PART NUMBER

DEI2V2P300G30	M3
DEV2V2P300G30	UNC 4.40
PART NUMBER	Threaded A

GENERAL CHARACTERISTICS : SEE DRAWING C01-8639-0001

European Views

www.fciconnect.com		surface ISO 1302 ✓	tolerance std ISO 406 ISO 1101	projection mm
TOLERANCES UNLESS OTHERWISE SPECIFIED				
Dr	JARRY	2001/01/26	ANGULAR	0.X ±0.1
Eng	PESSON	2001/01/26	LINEAR	0.XX ±0.1
Chr	LEGARE	2001/01/26	0.XX' ±2'	0.XXX ±0.1
Appr	LEGARE	2001/01/26	Product family	D-SUB
			size	A3
			Scale	2
			ECN	LS07-0070
			Spec ref	-
			title	PIN CONNECTOR WITH TWO POWERS CONTACTS
			dwg no	C01-8639-1863
			Rev.	E
			catalog no	-
			CUSTOMER	sheet 1 of 1

rev	ecn no	dr	date
B	-	DEB	2003/10/01
C	LS05-001	MPE	2005/03/09
D	LS06-0095	LGO	2006/06/28
E	LS07-0070	MPE	2007/03/06
-	-	-	-
-	-	-	-
-	-	-	-

Copyright FCI, FCI