

MATERIALS AND FINISHES

BODY ZINC
PLATED NICKEL

CENTER CONTACT PHOSPHOR BRONZE
PLATED GOLD

INSULATOR POLYPROPYLENE (94-V0)

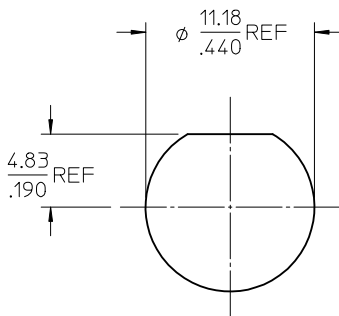
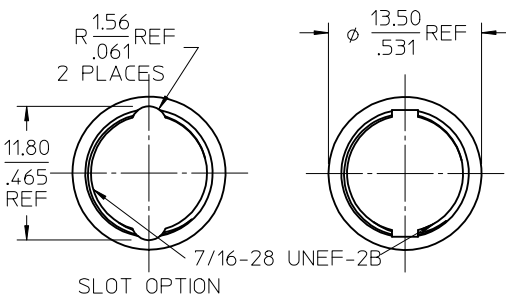
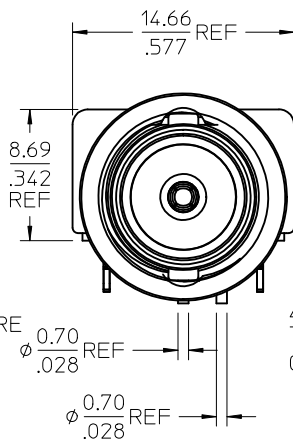
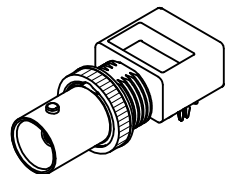
BOARD CLIPS PHOSPHOR BRONZE
PLATED SEE TABLE

SOLDER TAIL(GROUND) COPPER COVERED STEEL WIRE
PLATED SEE TABLE

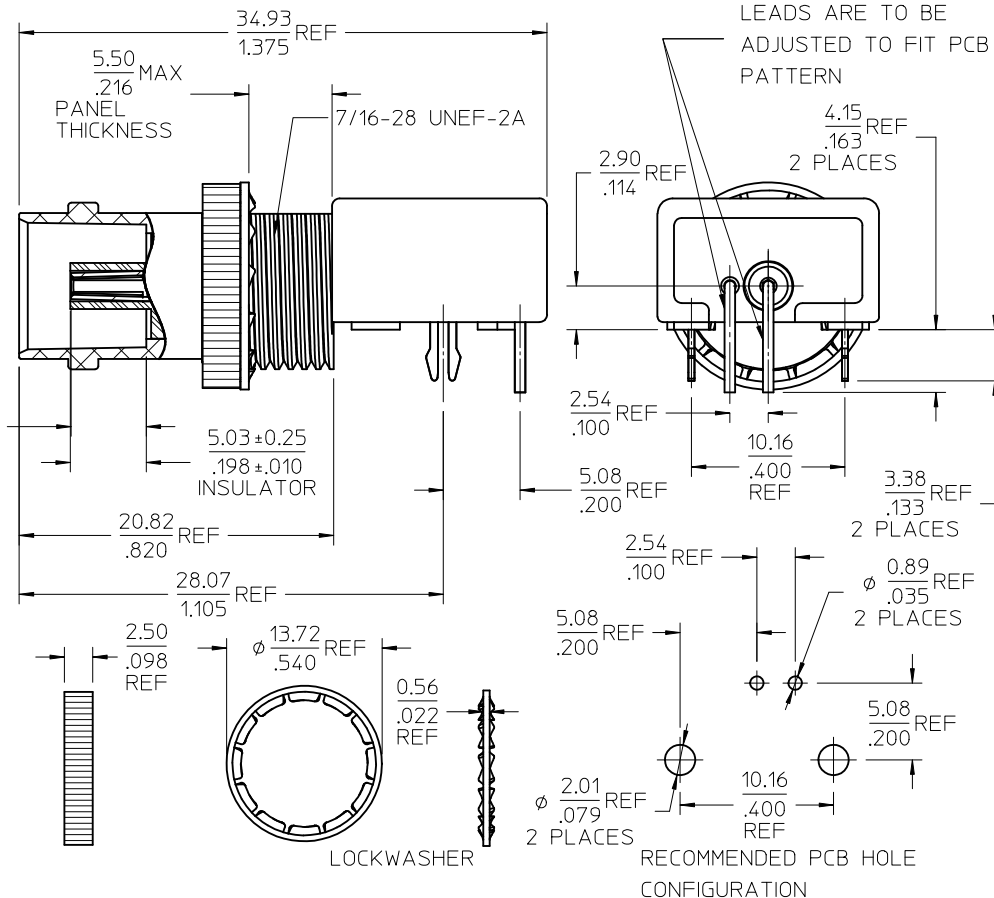
SOLDER TAIL(CONTACT) BRASS
PLATED SEE TABLE

WASHER PHOSPHOR BRONZE
PLATED NICKEL

NUT BRASS
PLATED NICKEL



RECOMMENDED MOUNTING HOLE
TORQUE: 0.56 N-m(5 INCH-LBS) MAX



PS-89675-1030	ELECTRO/MECH PROFORM.
SPECIFICATION	DESCRIPTION

73171-0705	73171-0700 NO HARDWARE INCLUDED / TRAY PACK
73171-0704	73171-0701, TRAYS, HARDWARE IN SEPERATE BAG
73171-0703	73171-0700, TRAYS, HARDWARE IN SEPERATE BAG
73171-0702	73171-0700, ONE PER BAG/BRIGHT TIN
73171-0701	PLASTIC TRAYS/MATTE TIN
73171-0700	PLASTIC TRAYS/BRIGHT TIN
PART NO.	PACKAGING/PLATING

CHG: 94V-0 WAS 94V-2 PS WAS 73598-0051	EC NO: URF2012-0216	2011/10/20	DESCRIPTION
	DRWIN:WIENER	2011/10/20	
REV: B5	CHKD:SSS	2011/10/20	REV
	APPR:WIENER	2011/10/20	

QUALITY SYMBOLS ▽=0 ▽=0	GENERAL TOLERANCES (UNLESS SPECIFIED) mm INCH 4 PLACES ± --- ± --- 3 PLACES ± --- ± --- 2 PLACES ± --- ± --- 1 PLACE ± --- ± --- ANGULAR ± 2 °	DIMENSION STYLE MM/IN	SCALE	DESIGN UNITS METRIC	THIRD ANGLE PROJECTION
		DRAWN BY TEF	DATE 1999/02/21	TITLE BNC JACK,R/A LOW PROFILE 75 OHMS, EWR-2320 BNC-J/PCB	
DRAFT WHERE APPLICABLE MUST REMAIN WITHIN DIMENSIONS		APPROVED BY GMH	DATE 1999/02/21	MOLEX INCORPORATED	
SEE TABLE		MATERIAL NO.	DOCUMENT NO.	SHEET NO. 1 OF 1	
THIS DRAWING CONTAINS INFORMATION THAT IS PROPRIETARY TO MOLEX INCORPORATED AND SHOULD NOT BE USED WITHOUT WRITTEN PERMISSION					