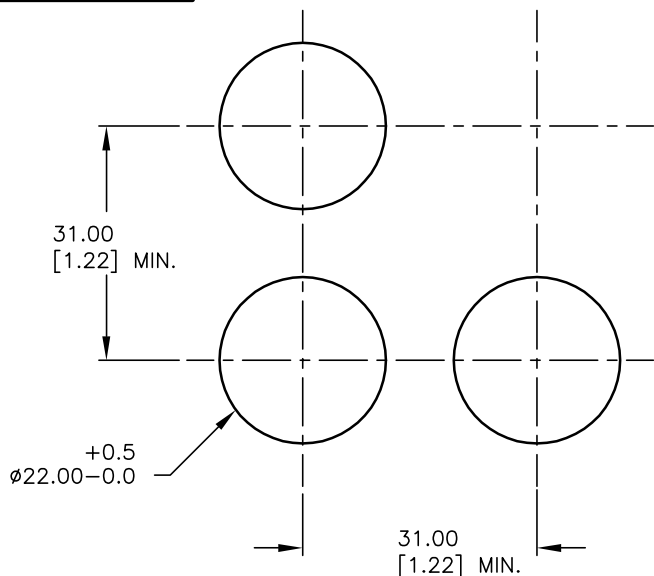
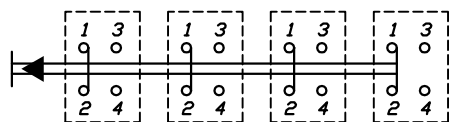


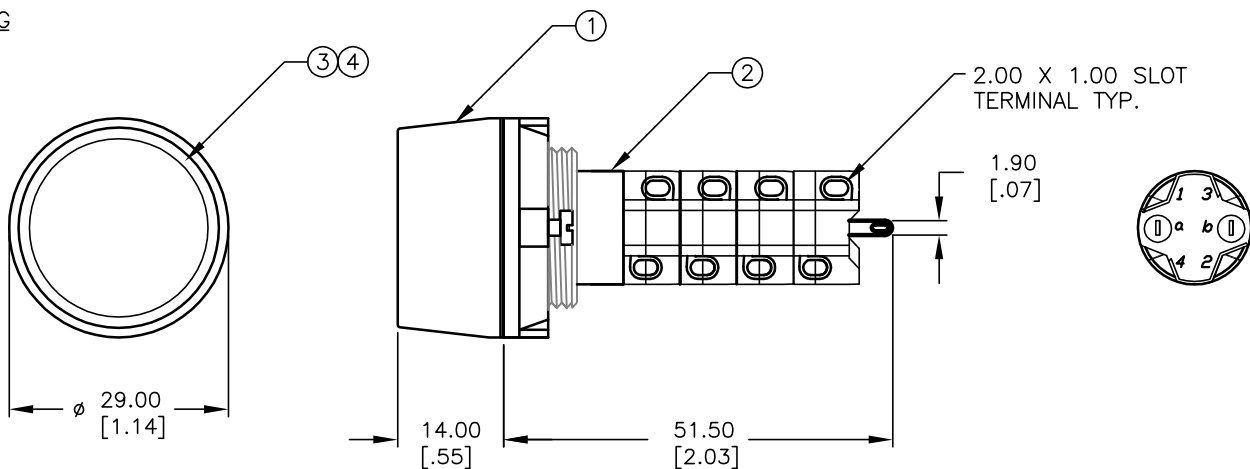
Item	Qty.	Dwg. No.	Part No.
1	1	F051701	29mm RING FOR LA SERIES
2	1	F060618	LASEEU14
3	1	F060214	29mm RED LENS TRANSPARENT
4	1	F050412	RED NEON 110V LAMP



RECOMMENDED PANEL MOUNTING



4PST CONTACT CONFIGURATION



NOTES:

1. ALL DIMENSIONS IN MM [INCH]
2. GENERAL TOLERANCE: X.X=±0.4
X.XX=±0.25
3. RATINGS: 5A@250V AC,
8A@125V AC
4. CONTACT MATERIAL: COPPER ALLOY W/Gold Plating
5. MECHANICAL LIFE: >100,000 Cycles
6. ELECTRICAL LIFE: >50,000 Cycles
7. INSULATION RESISTANCE: >1000 MILLI-OHMS
8. OPERATING TEMP: -20°C to 55°C
- ▲ 9. LAMP VOLTAGE: 110VAC NEON
10. ▲ DENOTES CRITICAL PARAMETER.

E-SWITCH®

TITLE		LASEEU14FREDRED			
SCALE	DATE	DR	DWG	REV	
1:1	6/8/04	AR	XF0592P	A	

A	14080	RELEASED FOR PRODUCTION	6/8/04	AR
REV.	ECN No.	DESCRIPTION	DATE	CHKD

THE INFORMATION CONTAINED IN THIS DOCUMENT IS PROPRIETARY TO E-SWITCH AND IS NOT TO BE COPIED OR TRANSFERRED