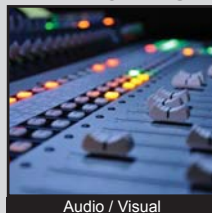


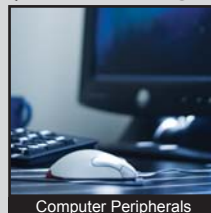
ANTI-VANDAL SWITCHES  
 DETECTOR SWITCHES  
 DIP SWITCHES  
 KEYLOCK SWITCHES  
 NAVIGATION SWITCHES  
 PUSHBUTTON SWITCHES  
 ROCKER SWITCHES  
 ROTARY SWITCHES  
 SLIDE SWITCHES  
 SNAP ACTION SWITCHES  
 TACTILE SWITCHES  
 TOGGLE SWITCHES  
 CAP OPTIONS



## APPLICATIONS / MARKETS



Audio / Visual



Computer Peripherals



Consumer Electronics



Instrumentation



Medical Equipment



Telecommunication

# RoHS

## SPECIFICATIONS

**Electrical Rating:** 50mA 12VDC  
**Life Expectancy:** 200,000 Cycles  
**Contact Resistance:** 1Ω Max.  
**Insulation Resistance:** 100MΩ Min. at 500VDC  
**Dielectric Strength:** 250VAC for 1 Minute  
**Operating Temperature:** -40°C to 85°C  
**Operating Force:** 160gf ± 50gf  
**Travel:** 0.15mm ± 0.10mm

**Function:** SPST, Off-(On), Momentary

## FEATURES & BENEFITS

- 200,000 cycle life expectancy
- Right angle edge mounted design
- Ultra compact design

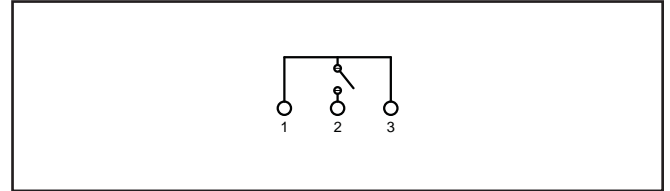
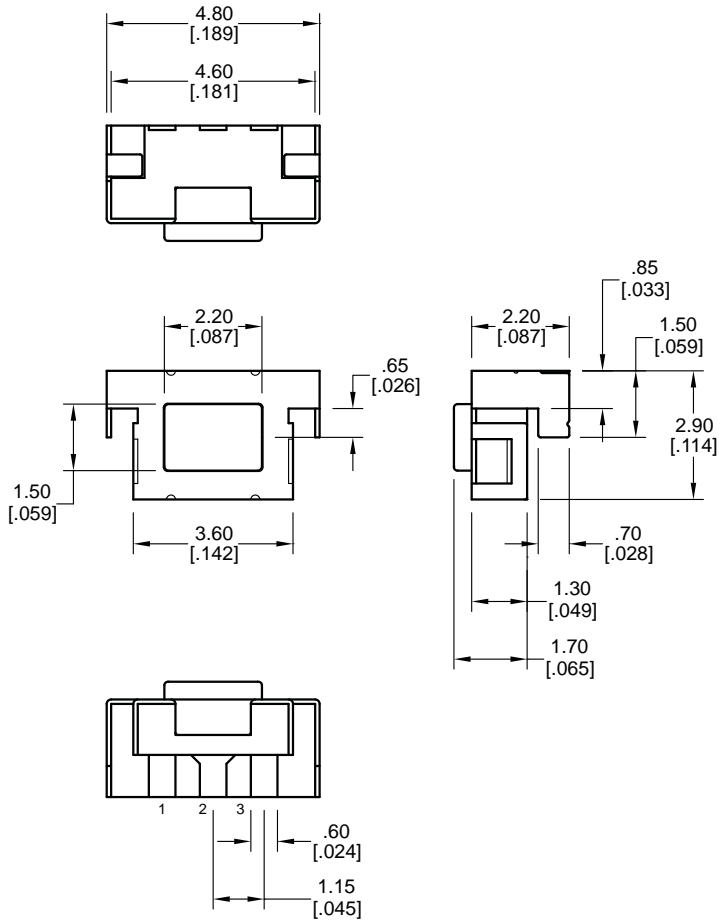
## PART NUMBER CONFIGURATOR

Series	Model	Actuator	Force	Plating	Termination
TL	4105	A - 1.70	F160 - 160 grams	Q - Silver	G - Gullwing

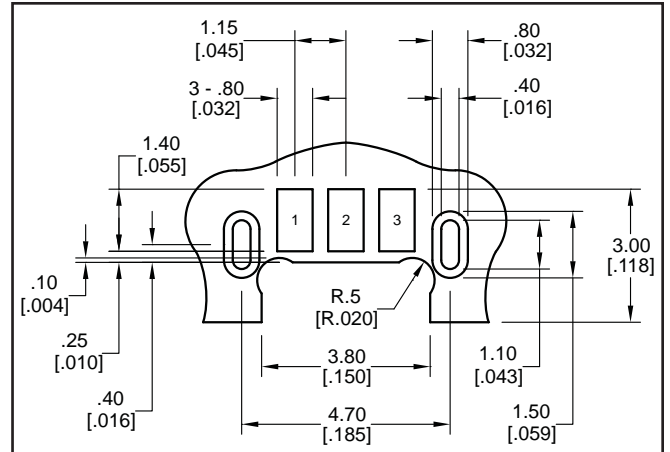
*Specifications subject to change without notice*



## BODY DIMENSIONS



**SCHEMATIC**



**PCB LAYOUT**

- ANTI-VANDAL SWITCHES
- DETECTOR SWITCHES
- SWITCHES
- DIP SWITCHES
- KEYLOCK SWITCHES
- NAVIGATION SWITCHES
- PUSHBUTTON SWITCHES
- ROCKER SWITCHES
- ROTARY SWITCHES
- SLIDE SWITCHES
- SNAP ACTION SWITCHES
- TACTILE SWITCHES
- TOGGLE SWITCHES
- CAP OPTIONS

