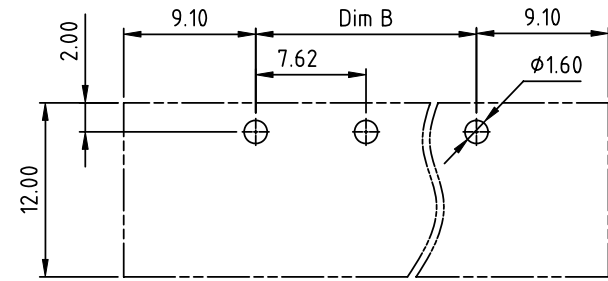
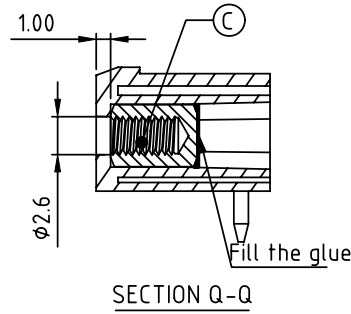
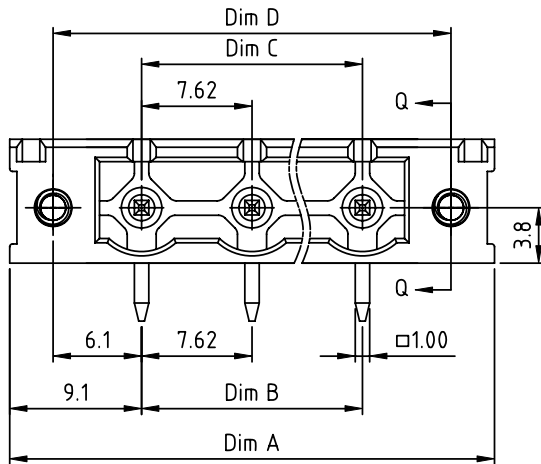
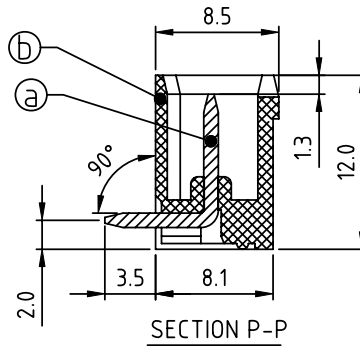
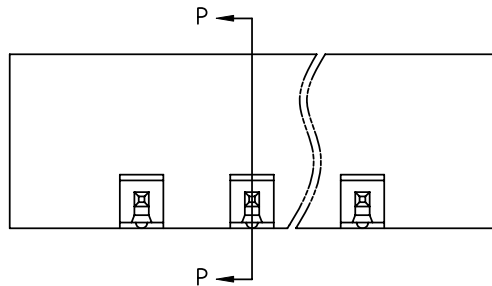


PRODUCT NUMBER	PITCH
OQxx05x100J0G	7.62 mm



RECOMMENDED P.C.B LAYOUT
TOP VIEW



Material:

- Item ① Male contact pin: Copper Tin plated
 - Item ② Terminal housing: Thermoplastic (UL94V-0)
 - Item ③ Flange nut: Brass ,M2.5
- Electrical: cULus TUV
- Voltage rating: 300V 750V
 - Current rating: 20A 15A
 - Withstanding Voltage: 1.6 KV 6KV
 - Operating temperature: -40°C to +115°C
 - Soldering temperature: 260°C±5°C/5 Sec
 - Safety Approval:

DIMENSION

Dim A	(N+1)X7.62+2.96
Dim B&C	(N-1)X7.62
Dim D	(N-1)X7.62+12.2

N = Number of poles

Poles	Tolerance
2p-4p	±0.15
5p-8p	±0.20
9p-12p	±0.30
13p-16p	±0.40

PART NO.: OQ xx 0 5 x 1 00J0 G

- | | | | |
|--------------|---|-------------------|-----------------|
| No. of poles | 0 | Black (RAL9005) | RoHS compliant |
| 02 2 poles | 2 | Red (RAL3001/D) | (lead<4%) |
| 03 3 poles | 3 | Orange(RAL2011/P) | In copper Alloy |
| | 4 | Yellow(RAL1018/A) | |
| 16 16 poles | 5 | Green(RAL6018/T) | |
| | 6 | Blue (RAL5015/A) | |
| | 8 | Grey(RAL7035/D) | |
| | 9 | White(RAL1102) | |
| | C | Green(RAL6018/U) | |

mat'l. code		surface ASME Y14.5	tolerance ASME Y14.5	projection	product family TERMINAL BLOCK						
ltr	ecn no	dr	date	 MM	title TERMINAL BLOCK						
tolerances unless otherwise specified											
angles		<table border="1"> <tr> <td>0</td> <td>X.±0.5</td> </tr> <tr> <td>15</td> <td>X.X±0.3</td> </tr> <tr> <td>30</td> <td>X.XX±0.1</td> </tr> </table>	0	X.±0.5	15	X.X±0.3	30	X.XX±0.1	scale		
0	X.±0.5										
15	X.X±0.3										
30	X.XX±0.1										
dr	HANKE FENG	040414	PLUGGABLE SOCKET, WITH FLANGE, RIGHT ANGLE								
enr	HANKE FENG	040414	dwg no								
chr	SHI JUN	040414	sheet 1 of 1 size								
appd	SHI JUN	040414	OQxx05x100J0G A4								
sheet index			revision	type							
			A	CUSTOMER Drawing							
			1								