

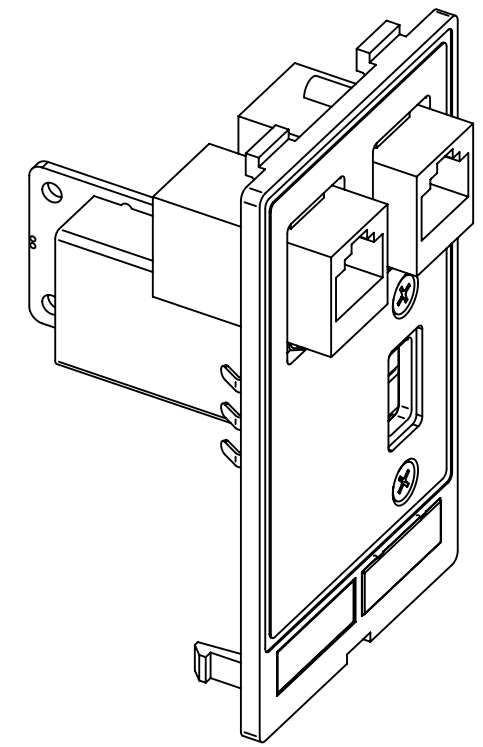
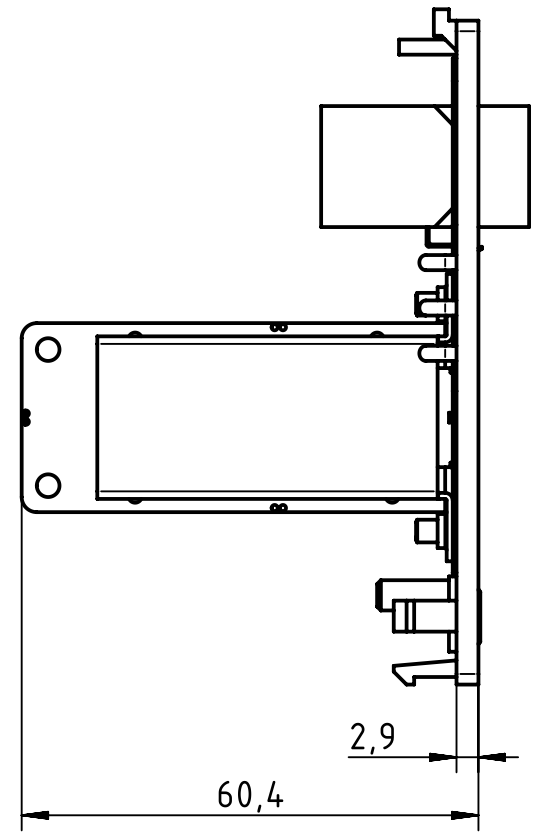
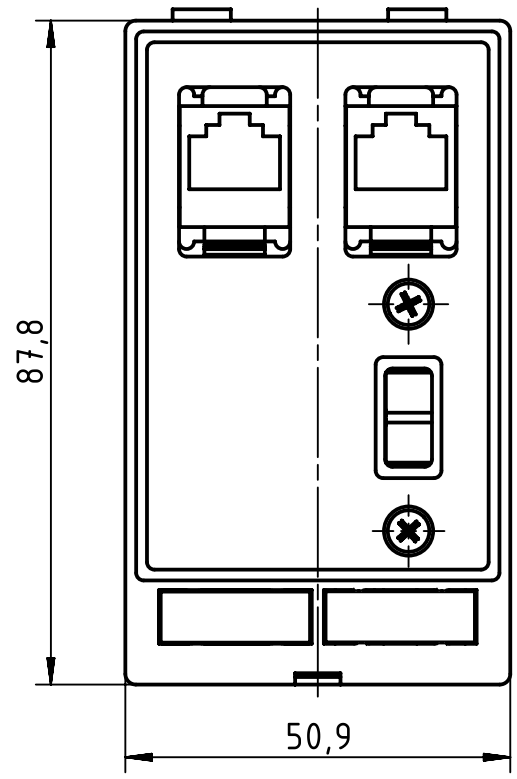
1 2 3 4 5 6

A


B

C

D



assembly instructions enclosed

	All rights reserved Department EL PD - DE HARTING Electric GmbH & Co. KG D-32339 Espelkamp	All Dimensions in mm Original Size DIN A4		Scale 1:1	Free size tol.		Ref. Sub.	
		Created by RULLKOETTER	Inspected by SCHNIEDER	Standardisation TIEMANNA	Date 2014-06-17	State Final Release		Doc-Key / ECM-Nr. 100211753/UGD/004/B 500000076080
			Title Data modul				Rev. B	
			Type TB		Number 39 50 002 0133			Page 1/1