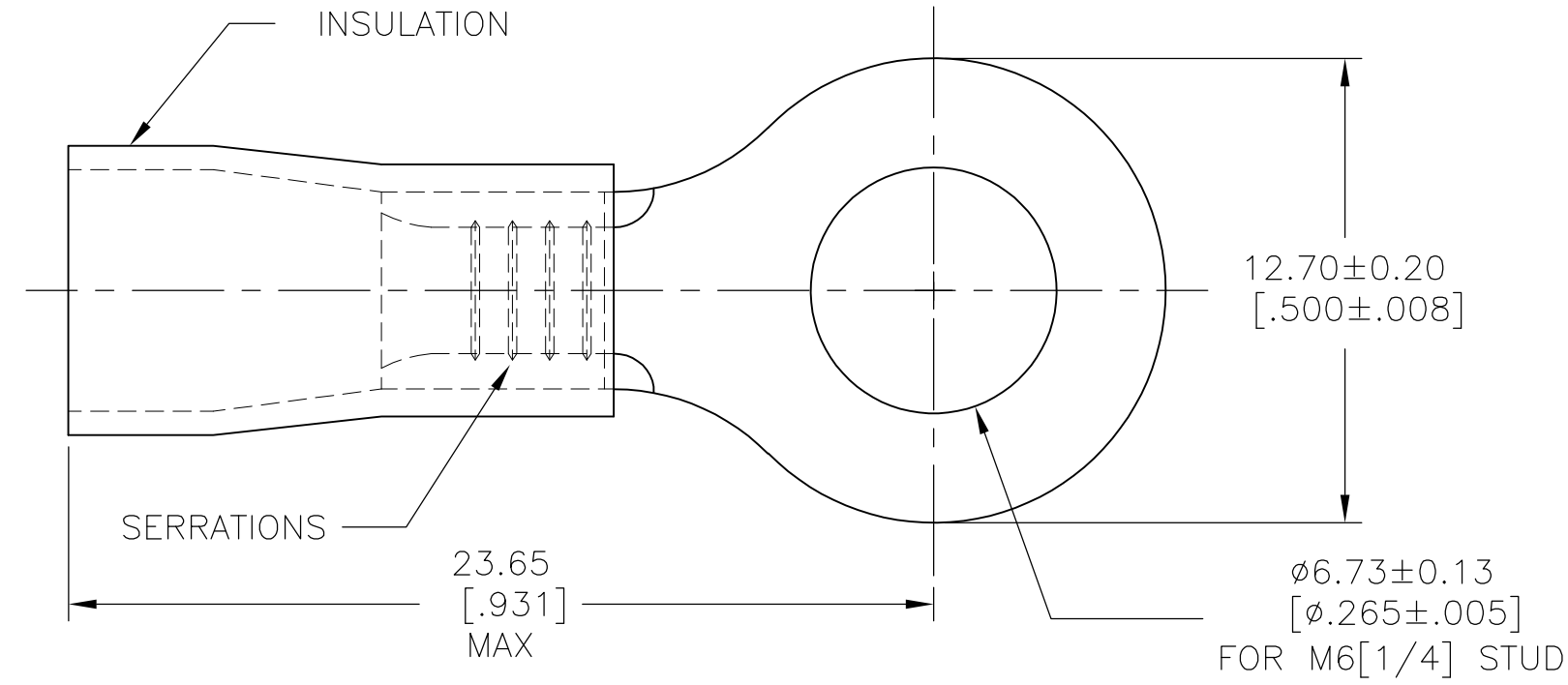
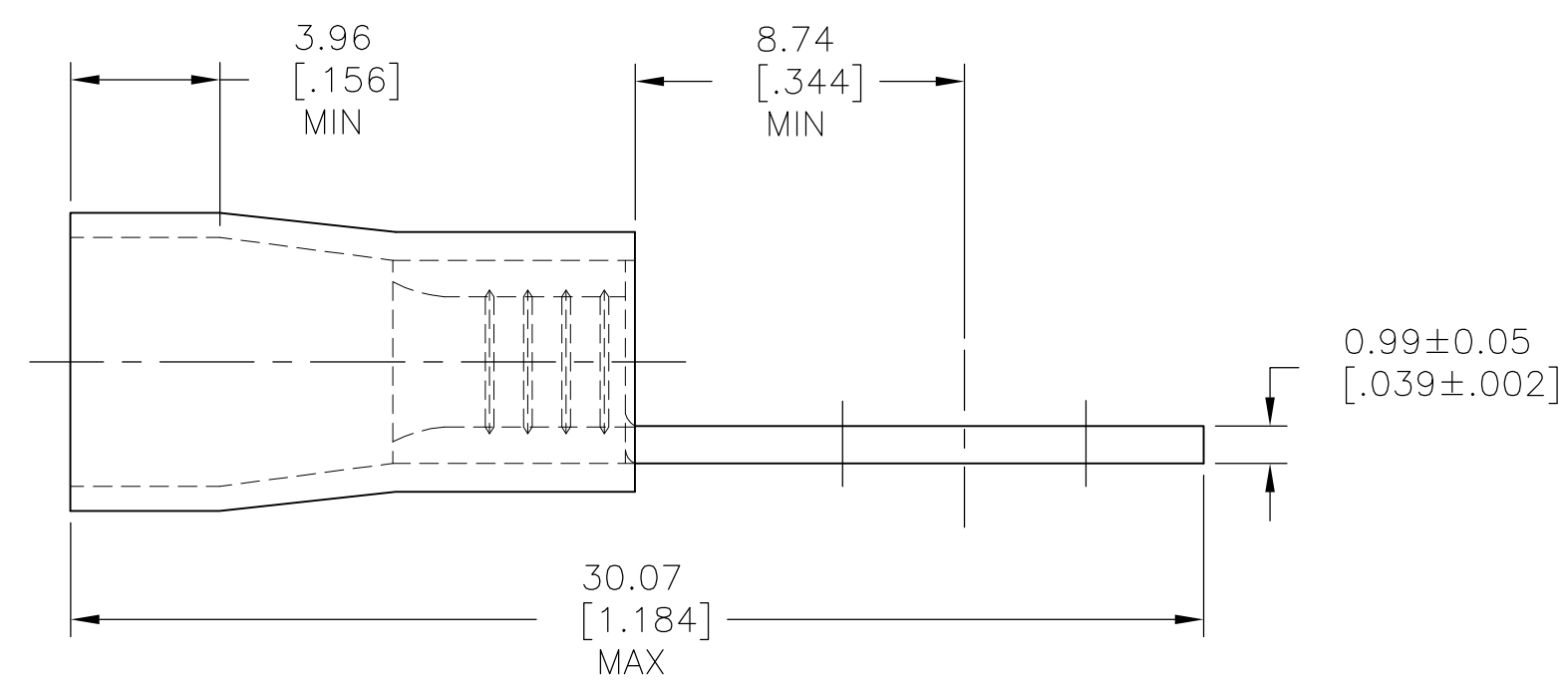


THIS DRAWING IS UNPUBLISHED. RELEASED FOR PUBLICATION
 © COPYRIGHT - By - ALL RIGHTS RESERVED.

LOC	DIST	REVISIONS					
-	02	P	LTR	DESCRIPTION	DATE	DWN	APVD
		A1		REVISED PER ECO-11-020548	06FEB12	KH	DR



- 1 COPPER PER ASTM B152
INSULATION: PVC, YELLOW
- 2 TIN PLATE PER ASTM B545
- 3. FOR 6.40[.252] TO 6.78[.267]
MAX INSULATION DIAMETER.



OBSOLETE	-	165035-1 2 ON TAPE	165035-1
	500	LOOSE PIECE	165035
	QTY	PACKAGE TYPE	PART NO

THIS DRAWING IS A CONTROLLED DOCUMENT.		DWN KIRAN HOLAL 06FEB12	STE TE Connectivity	
DIMENSIONS: mm [INCHES]		CHK ROHDE DANIEL 06FEB12		
TOLERANCES UNLESS OTHERWISE SPECIFIED:		APVD ROHDE DANIEL 06FEB12	NAME PLASTI GRIP TERMINAL, RING TONGUE WIRE SIZE : 12-10 AWG	
0 PLC ± - 1 PLC ± - 2 PLC ± - 3 PLC ± - 4 PLC ± - ANGLES ± -		PRODUCT SPEC -	RESTRICTED TO -	
MATERIAL		APPLICATION SPEC -	SIZE A3	CAGE CODE 00779
FINISH		WEIGHT -	DRAWING NO C-165035	REV A1
-1		CUSTOMER DRAWING		SCALE 5:1 SHEET 1 OF 1