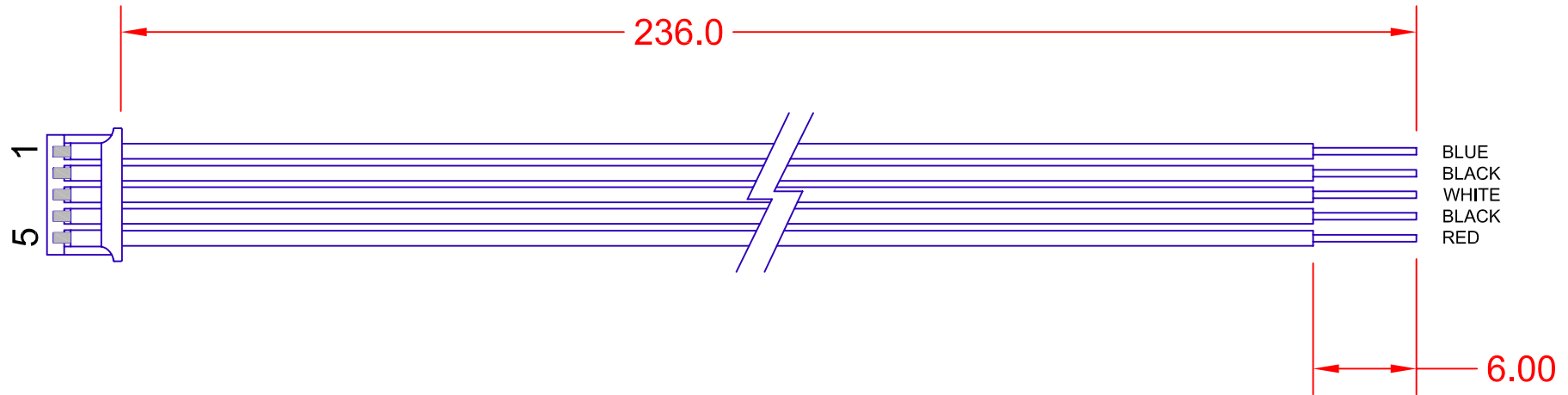


REV.	DESCRIPTION/ECO NO.	DATE
	RELEASED & CANCEL BXA-12561/CONN1	2/21/03
A	DIM CHNG 230.0 TO 236.0	1/5/07
B	ADD RoHS NOTE & CHNG WIRE TYPE #	2/9/07



PIN	WIRE TYPE	AWG	COLOR
1	UL 1061LF	28	BLU
2	UL 1061LF	28	BLK
3	UL 1061LF	28	WHT
4	UL 1061LF	28	BLK
5	UL 1061LF	28	RED

JKL PART NO.: BXC-10546

NOTES:

1. HOUSING IL-Z-5S-S125C3 (JAE)
2. CONTACT IL-Z-C3-A-15000 (JAE)
3. RoHS COMPLIANCE
(CONTACT JKL FOR RoHS LOT IDENTIFICATION)

METRIC		DIMENSIONS ARE IN MILLIMETERS		JKL COMPONENTS CORPORATION			
 THIRD ANGLE PROJECTION		TOLERANCE UNLESS OTHERWISE SPECIFIED 1 PL +/- 4.0 2 PL +/- 0.50 ANGLE +/- 0		TITLE			
				INPUT CONNECTOR HARNESS			
DRAWN BY	APPV'D BY	DATE	SIZE	FSCM NO.	DRAWING NO.		
L. WENGSTROM	L.R.	2/9/07	A	55335	BXC-10546		
- CAD DRAWING - MANUAL REVISIONS NOT PERMITTED			SCALE	RELEASED DATE	REVISION DATE	REV. NO.	SHEET
			NONE	2/21/03	2/9/07	B	1 OF 1