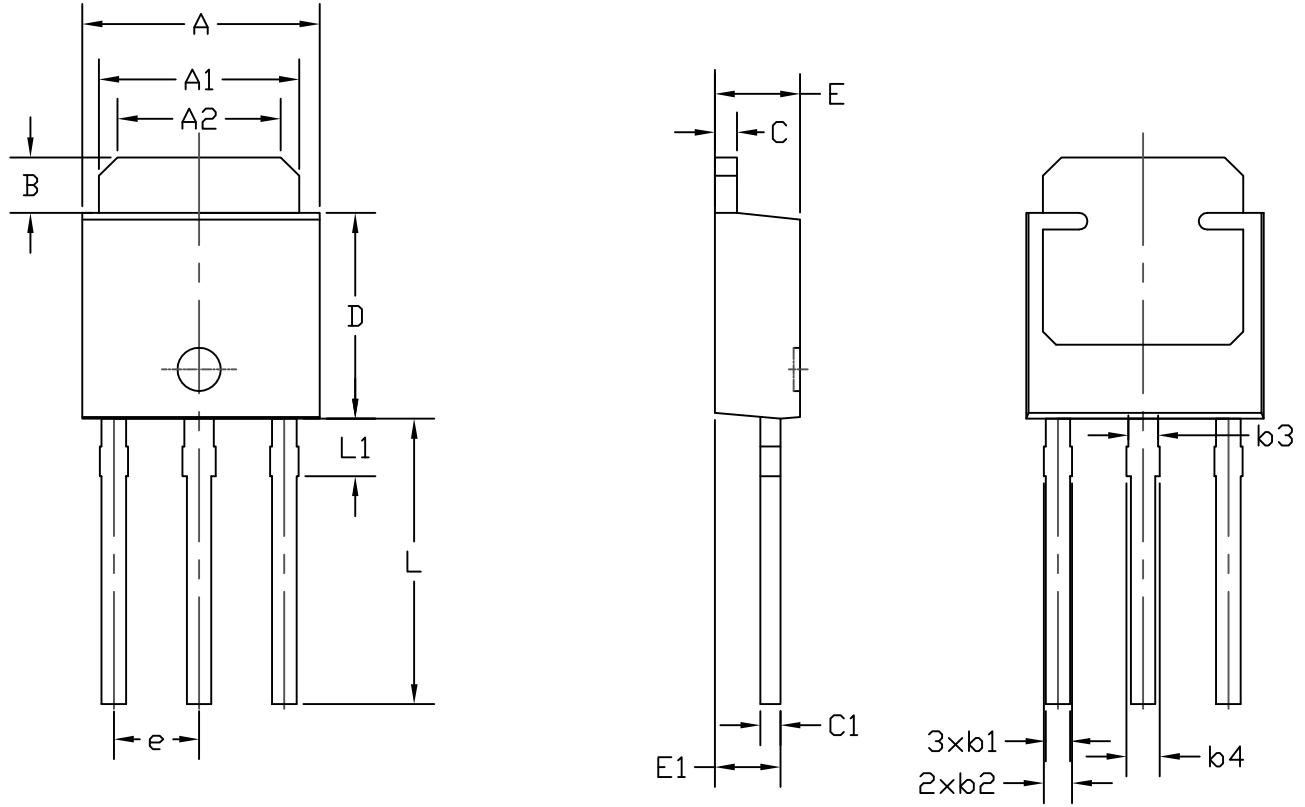
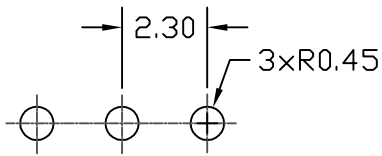




TO251 PACKAGE OUTLINE



RECOMMENDED LAND PATTERN



UNIT:mm

SYMBOLS	DIMENSIONS IN MILLIMETERS			DIMENSIONS IN INCHES		
	MIN	NOM	MAX	MIN	NOM	MAX
A	6.4	6.5	6.6	0.252	0.256	0.260
A1	5.3	5.4	5.5	0.209	0.213	0.217
A2	4.3	4.4	4.5	0.169	0.173	0.177
B	1.35	1.5	1.65	0.053	0.059	0.065
L1	1.55 REF			0.061REF		
L	7.4	7.7	8	0.291	0.303	0.315
D	5.4	5.55	5.7	0.213	0.219	0.224
C	0.55	0.6	0.65	0.022	0.024	0.026
C1	0.49	0.54	0.59	0.019	0.021	0.023
E1	1.72	1.77	1.82	0.068	0.070	0.072
E	2.2	2.3	2.4	0.087	0.091	0.094
b1	0.6	---	0.75	0.024	---	0.030
b2	0.7	---	0.85	0.028	---	0.033
b3	0.8			0.031		
b4	0.9			0.035		
e	2.3			0.091		

NOTE

1. PACKAGE BODY SIZES EXCLUDE MOLD FLASH AND GATE BURRS.
MOLD FLASH SHOULD BE LESS THAN 6 MIL.
2. TOLERANCE 0.100 MILLIMETERS UNLESS OTHERWISE SPECIFIED.
3. CONTROLLING DIMENSION IS MILLIMETER.
CONVERTED INCH DIMENSIONS ARE NOT NECESSARILY EXACT.
4. REFER TO JEDEC TO-251D AA.