



CUSTOMER:

CUSTOMER PN:

UCC PN:

E32D251CJN562MC92M

UCC MAXCIM NO.:

88805

ELECTRICAL CRITERIA

CAPACITANCE (120Hz/25°C): 5600 μ F
 CAPACITANCE TOLERANCE: +/-20 %
 RATED V_{DC}: 250 V
 SURGE V_{DC} (30 sec): 300 V
 MAX. ESR (120Hz/25°C): 40 m Ω
 TYP. ESR (120Hz/25°C): 33 m Ω
 MAX. I_{RMS} (120Hz/105°C): 8.4 A
 MAX. DCL (V_{DC}/5:00/25°C): 3.000 mA

MECHANICAL CRITERIA

MAX. VIBRATION: 10-55Hz 10 g
 TERMINAL THREAD: M5
 THREAD DEPTH: 11 mm
 MAX. TERMINAL TORQUE: 2.8 Nm
 TYP. WEIGHT: 260 grams

OPERATING CRITERIA

MAX. TEMPERATURE: +105 °C
 MIN. TEMPERATURE: -40 °C
 LOAD LIFE (V_{DC}+I_{RMS}/105°C): 2000 Hrs
 MAX. Δ CAP. (measured value): \pm 20 %
 MAX. ESR (specified value): \leq 200 %
 MAX. DCL (V_{DC}/5:00/25°C): 3.000 mA
 SHELF LIFE (105°C): 500 Hrs
 MAX. Δ CAP. (measured value): \pm 20 %
 MAX. ESR (specified value): \leq 200 %
 MAX. DCL (V_{DC}/5:00/25°C): 3.000 mA

IRMS FREQUENCY MULTIPLIERS

V _{DC}	50Hz	120Hz	300Hz	1kHz	10kHz	50kHz
6.3-50	0.95	1.00	1.03	1.05	1.09	1.12
63-80	0.90	1.00	1.06	1.10	1.18	1.22
100-250	0.80	1.00	1.12	1.22	1.30	1.33
315-500	0.80	1.00	1.19	1.34	1.46	1.52

IRMS AMBIENT MULTIPLIERS

55°C	65°C	75°C	85°C	105°C
2.65	2.45	2.00	1.73	1.00

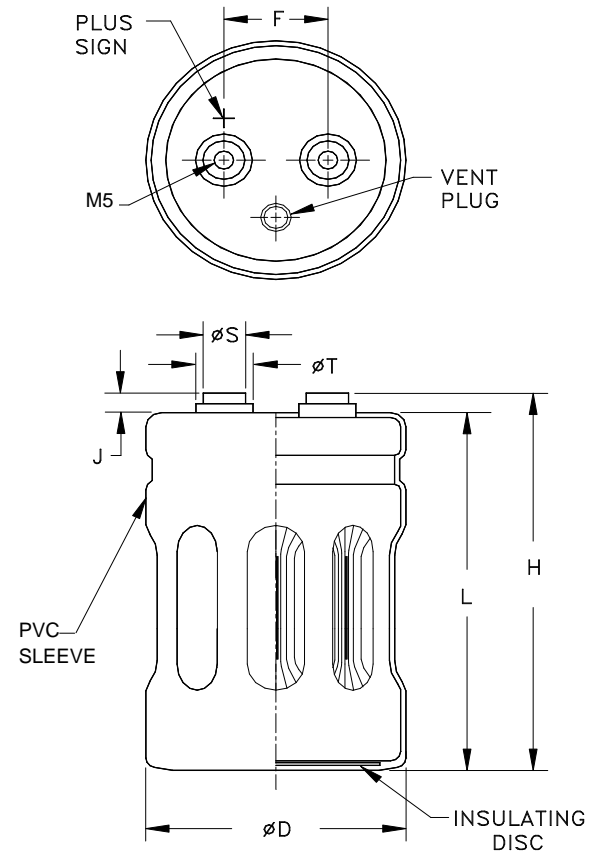
COMMENTS

- RoHS Compliant
- Resistance weld method of tab to terminal connection
- 0.008x0.275" tab dimension
- Four tabs per electrode
- Capacitor suitable for horizontal mounting

DIMENSIONAL CRITERIA			
	X	mm	in
ϕ D	50.8	- 0.00	+ 1.00
L	92.0	- 0.00	+ 2.00
H	99.5	- 2.00	+ 2.00
F	22.2	- 0.50	+ 0.50
J	7.0	- 1.00	+ 1.00
ϕ S	10.5	- 0.25	+ 0.25
ϕ T	15.5	- 0.50	+ 0.50

MARKING

U32D 105°C
 250V 5600uF
 Date Code
 + POSITIVE



TDS NO.: TDS-06-0666-01
 AUTHOR: MDW
 DATE: 29-MARCH-07