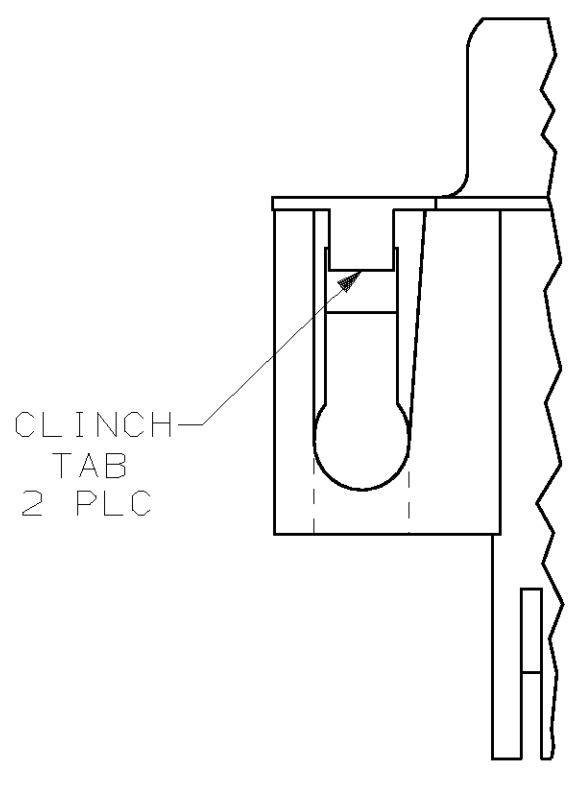
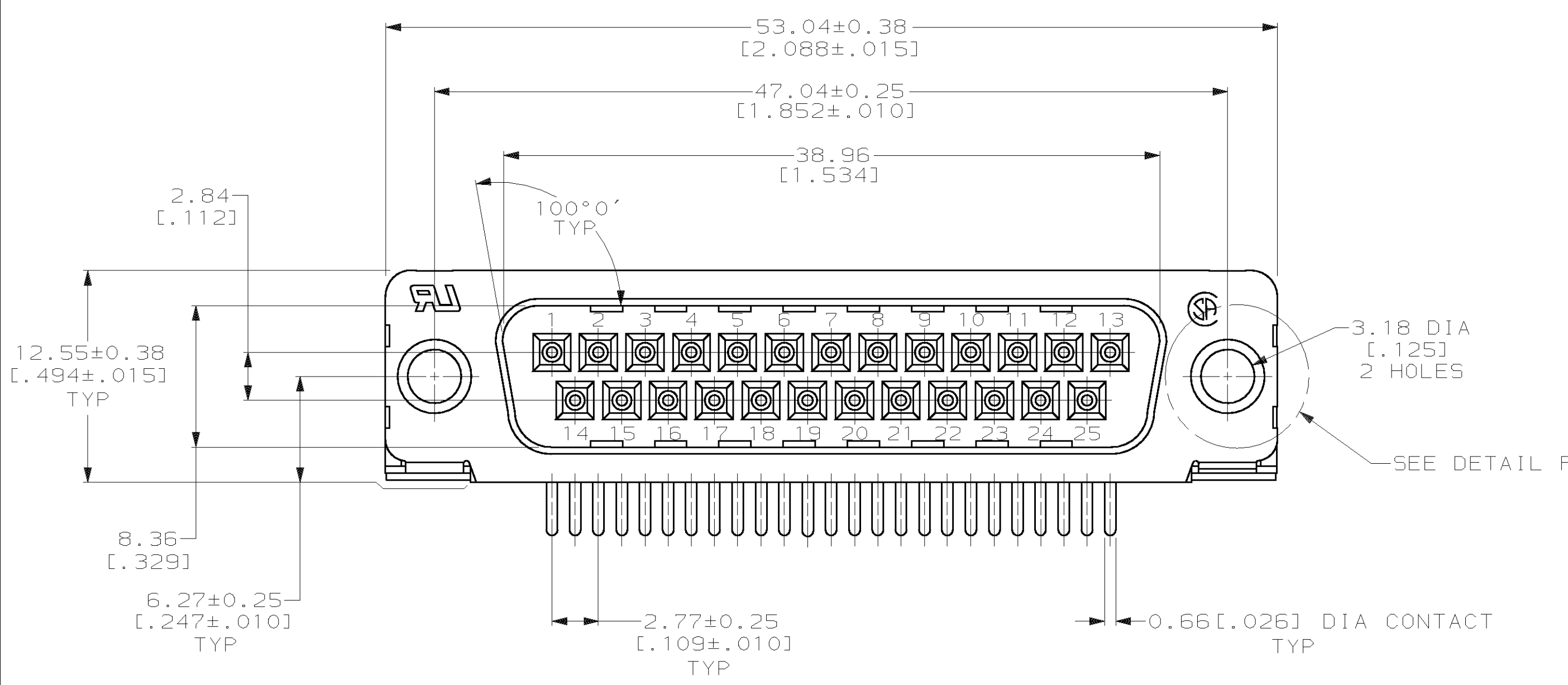
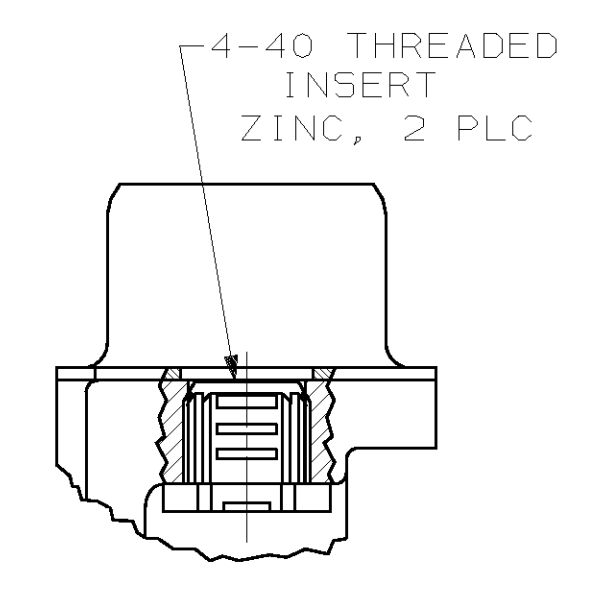
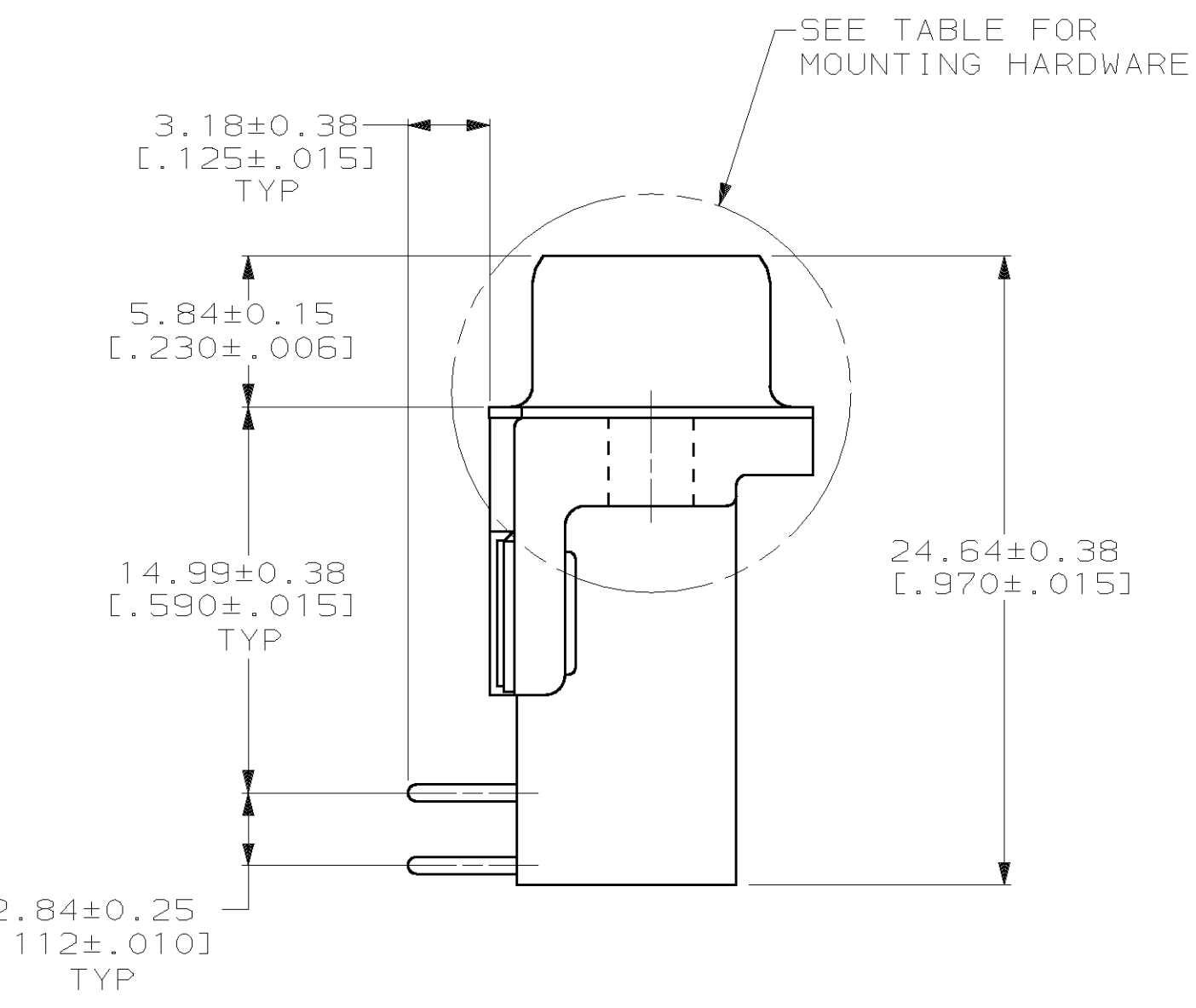
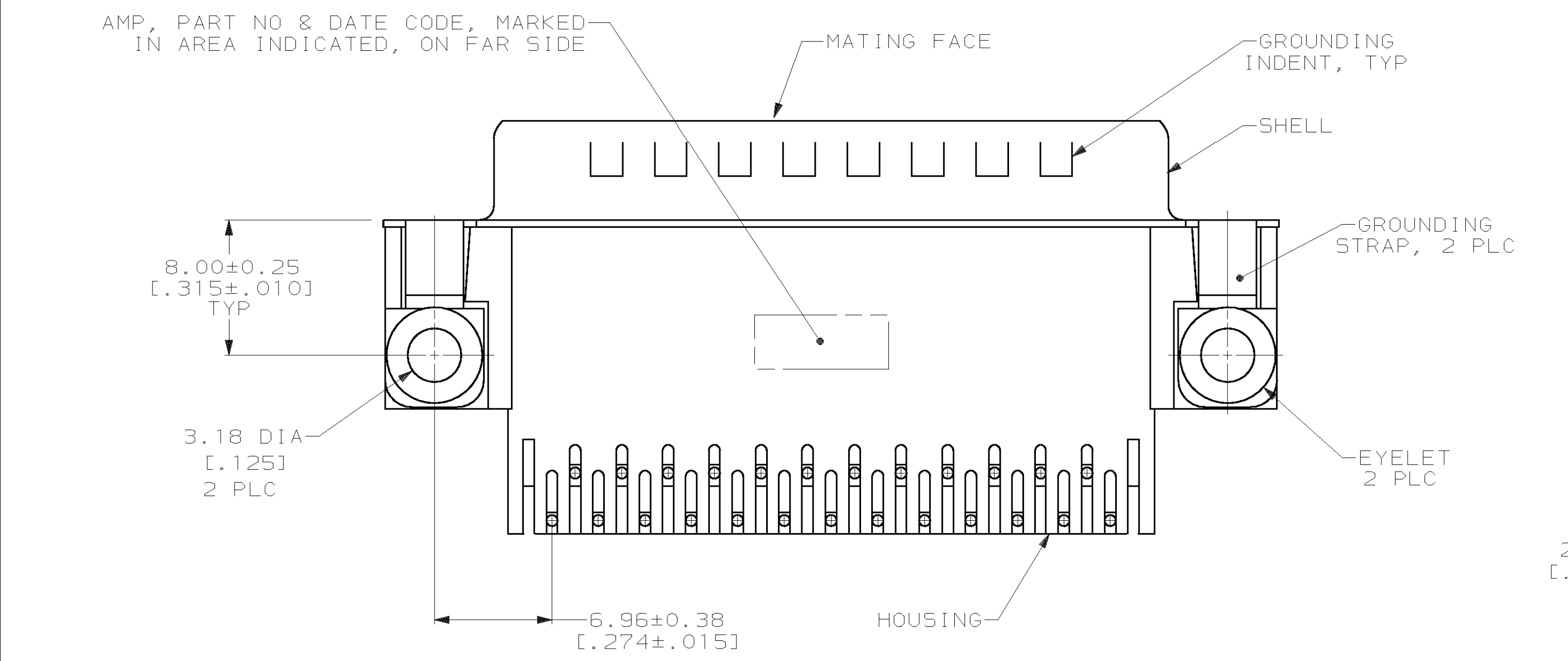


LOC	DIST	P	F	ZONE	LTR	DESCRIPTION	DATE	APPD
BD	77							
					K	OBS -23 PER EC 0020-131-94	05/26/94	CR
					L	REV PER EC 0020-1448-95	11 JAN 96	RLT
					M	SUPSD -10 PER EC 0020-1152-95	22 FEB 96	RT
					N	SUPERSEDED -3, -5 & -6 PER EC 0020-461-96	24 JAN 97	RT
					P	REV PER EC 0640-412-98	12 FEB 98	RT
					R	REV PER EC 0640-285-99	03 APR 00	KB

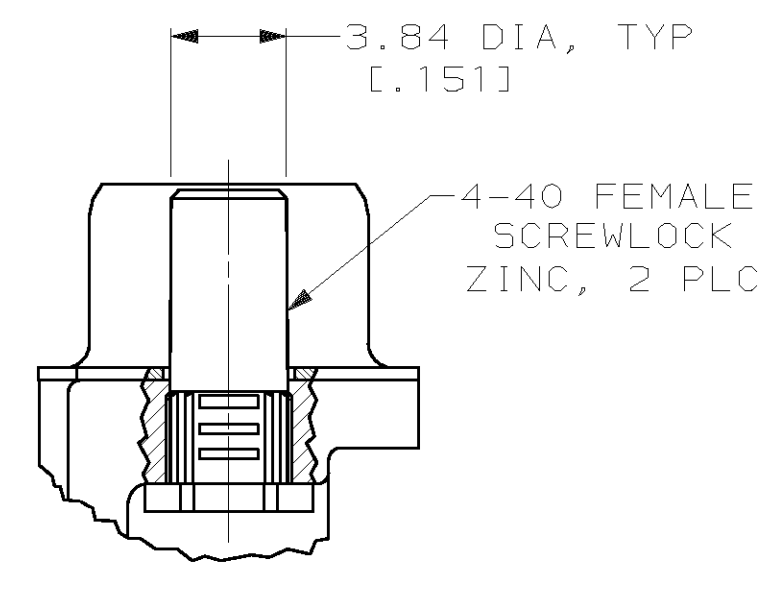


DETAIL B

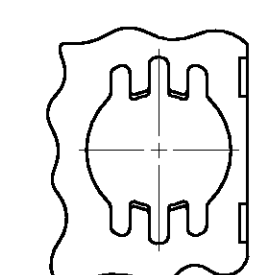
- 1 NYLON OR POLYESTER, FLAME RETARDANT, UL 94V-0 RATED, GLASS FILLED, BLACK.
- 2 BRASS PER MIL-C-50.
- 3 CARBON STEEL PER ASTM A109.
- 4 GOLD PLATING PER MIL-G-45204; NICKEL PLATING PER QQ-N-290; TIN PLATING PER MIL-T-10727; COPPER PLATING PER MIL-C-14550.
- 5 2.54µm[.000100] MIN TIN OVER 1.27µm[.000050] MIN COPPER.
- 6 5.08µm[.000200] MIN TIN OVER COPPER FLASH.
- 7 GOLD FLASH FOR A LENGTH OF 3.81[.150] MIN FROM MATING END, 2.54µm[.000100] MIN TIN OR TIN-LEAD FOR A LENGTH OF 3.56[.140] MIN FROM OPPOSITE END, BOTH OVER 1.27µm[.000050] MIN NICKEL.
- 8 GOLD PLATED FOR LENGTH OF 3.81[.150] MIN FROM MATING END, 0.76µm[.000030] MIN GOLD IN MATED AREA, 2.54µm[.000100] MIN TIN OR TIN-LEAD FOR A LENGTH OF 3.56[.140] MIN FROM OPPOSITE END, BOTH OVER 1.27µm[.000050] MIN NICKEL.
- 9 OBSOLETE PART NUMBER.
- 10 SUPERSEDED BY 745994-4



DETAIL D

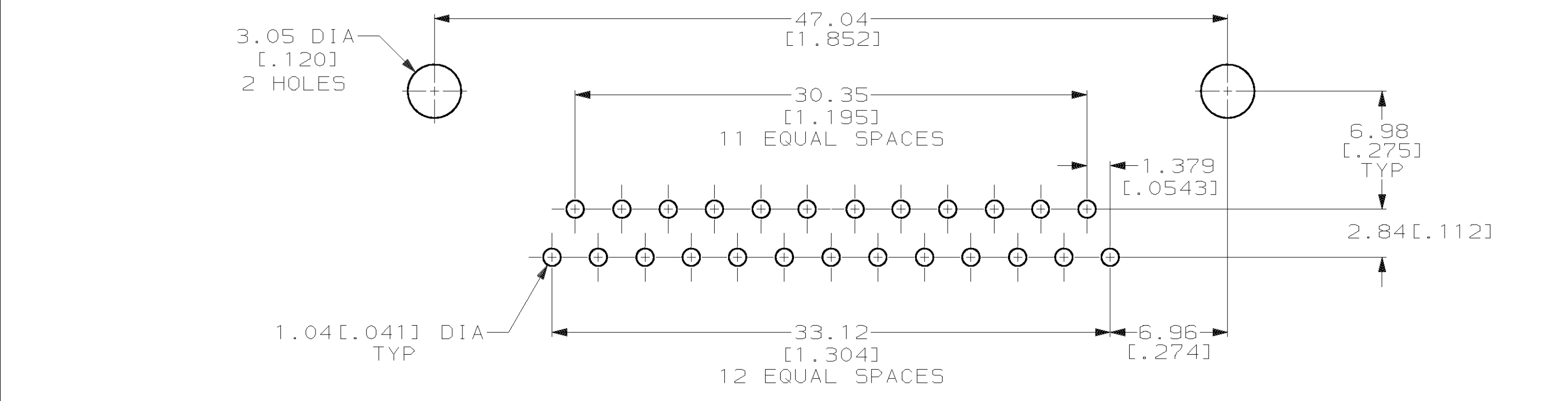


DETAIL E



FOR -5, -6, -11, -12, -17, -18, AND -23 ONLY

DETAIL F
2 PLC



RECOMMENDED P.C. BOARD MOUNTING DIMENSIONS

NO	NO SEE DETAIL B	NO	SEE DETAIL E SEE DETAIL D	△	△	2-745994-3
				△	△	2-745994-1
				△	△	2-745994-0
				△	△	1-745994-9
	YES	YES	SEE DETAIL E	△	△	1-745994-8
			SEE DETAIL D	△	△	1-745994-7
				△	△	1-745994-5
				△	△	1-745994-4
				△	△	1-745994-3
			SEE DETAIL E	△	△	1-745994-2
			SEE DETAIL D	△	△	1-745994-1
YES	NO SEE DETAIL B	NO	SEE DETAIL E	△	△	1-745994-0
				△	△	745994-9
				△	△	745994-7
				△	△	745994-6
			SEE DETAIL E	△	△	745994-5
			SEE DETAIL D	△	△	745994-4
				△	△	745994-3
				△	△	745994-2
				△	△	745994-1
GROUNDING INDENTS	GROUNDING STRAPS	EYELETS	MOUNTING HARDWARE	CONTACT FINISH	PART NO	

DO NOT SCALE PRINT. UNLESS SPECIFIED DIMENSIONS IN mm [INCHES] TOLERANCES ON: 2 PLC DEC ± 0.13[.005] 3 PLC DEC ± - ANGLES ± 2°	DR 11-7-89 W.G.LENKER CHK 2-5-90 R. STONE APPD 2-6-90 M.D.GALLOWAY APPD 2-6-90 C. RÖHDE PRODUCT SPEC 108-40025 APPLICATION SPEC 114-40010 WEIGHT -	AMP INCORPORATED Harrisburg, Pa. 17105 NAME PLUG ASSEMBLY, SIZE 3, 25 POSITION, RIGHT ANGLE, FRONT METAL SHELL, .590 SERIES, AMPLIMITE® HD-20 SIZE D CAGE CODE 00779 DRAWING NO 745994 SCALE 4:1 SHEET 1 OF 1
--	--	---