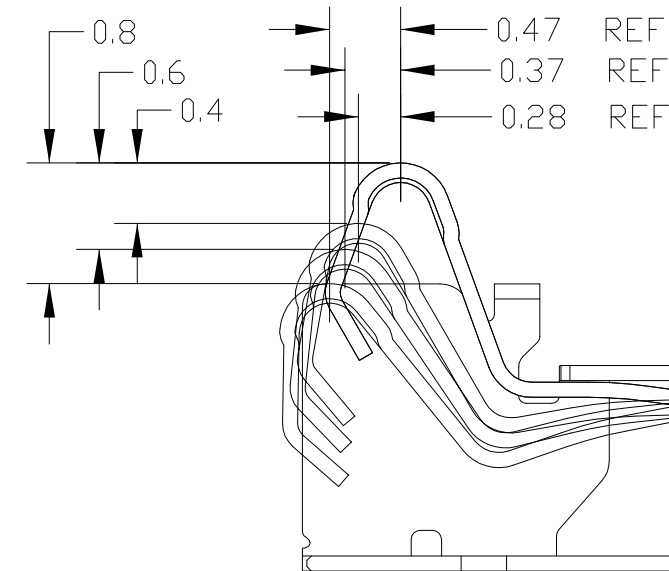


P	LTR	DESCRIPTION	DATE	DWN	APVD
	B	REVISED	05JUNE2013	IC.K	JH.K
	C	REVISED	13JUNE2013	IC.K	JH.K
	C1	REVISED	19JAN2015	IC.K	JH.K
	C2	REVISED	06FEB2015	IC.K	JH.K

AS SHOWN

2108614-5

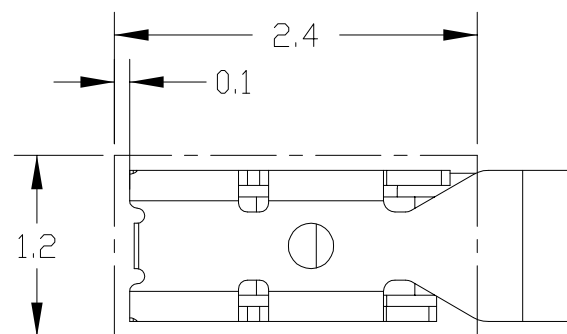
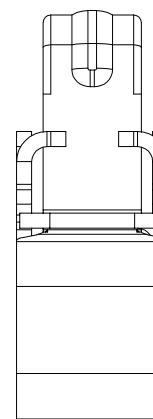
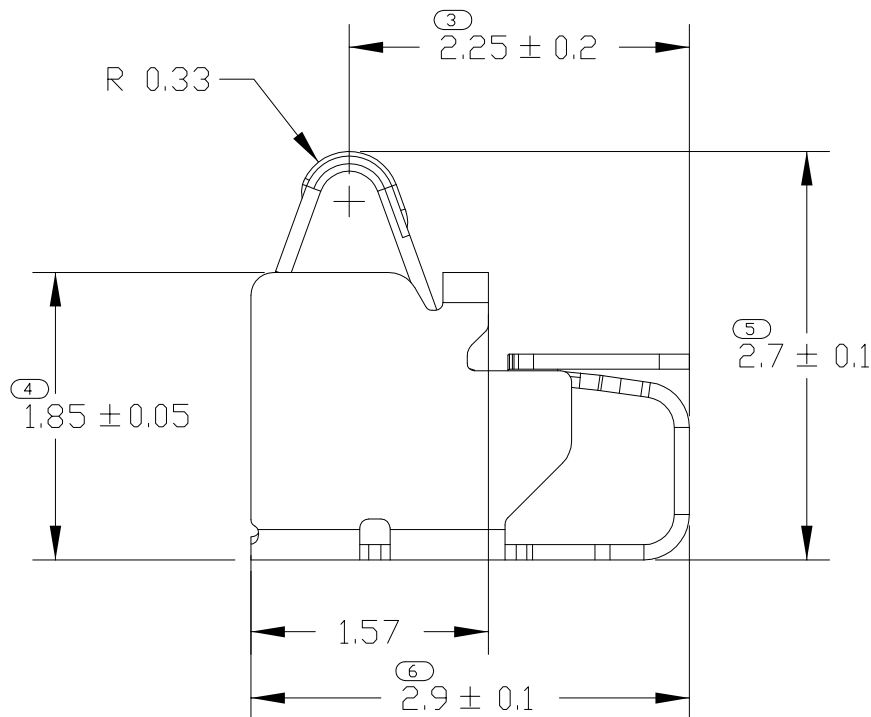
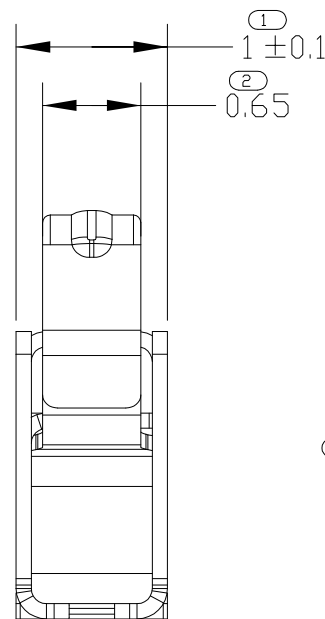
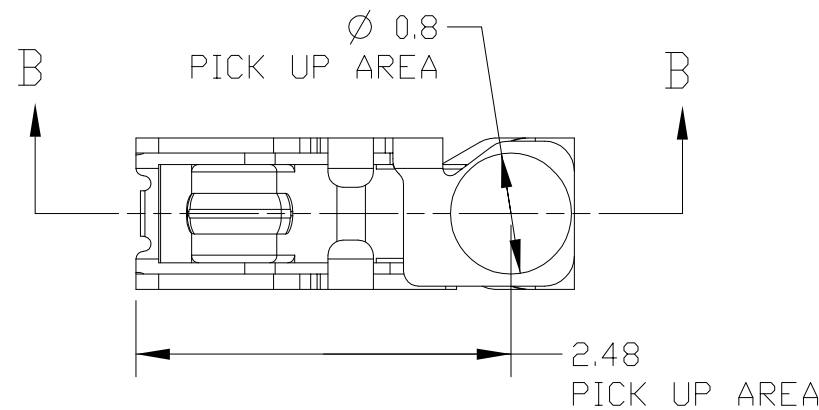
② 2-2108614-6



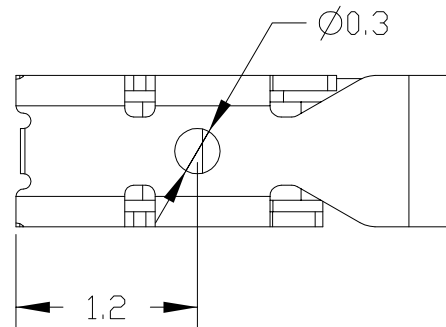
SECTION B-B
STROKE CONDITION (REFERENCE)

- ① MATERIAL: COPPER ALLOY, THK.=0.1mm
- ② FINISH: Ni UNDER PLATING ALL OVER 0.8~3.0um
CONTACT PLATING: Au 0.1~0.4um
SOLDER PLATING: Au FLASH 0.05~0.35um
- ③ CUTTING BURR: 0.05mm MAX.
- ④ PRODUCT SPEC

NO	PART NUMBER	PRODUCT SPEC
1	2108614-5	108-61189
② 2	2-2108614-6	108-61254

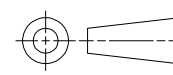


RECOMMENDED PCB LAYOUT
(REFERENCE)



THIS DRAWING IS A CONTROLLED DOCUMENT.

DIMENSIONS:
mm



TOLERANCES UNLESS OTHERWISE SPECIFIED:
± 0.15

- Ø-PLC ±
- 1-PLC ±0.5
- 2-PLC ±0.13
- 3-PLC ±0.013
- 4-PLC ±0.0001
- ANGLES ±
- FINISH -

MATERIAL -

DWN JH GONG 08FEB2013
CHK JH KIM 08FEB2013
APVD JH KIM 08FEB2013
PRODUCT SPEC

SEE TABLE 4

APPLICATION SPEC

WEIGHT -

CUSTOMER DRAWING

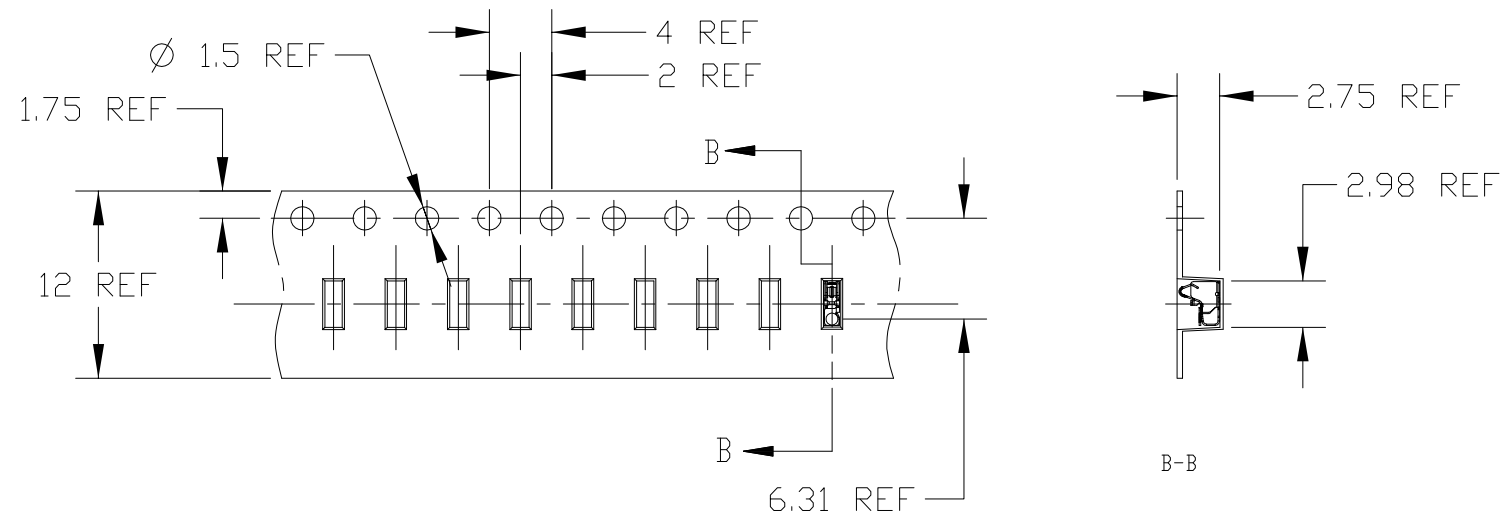


SPRING FINGER 2.7H

SIZE	CAGE CODE	DRAWING NO	RESTRICTED TO
A3	00779	©=2108614	-

SCALE 20:1 SHEET 1 OF 2 REV C2

P	LTR	DESCRIPTION	DATE	DWN	APVD
		SEE SHEET 1			



DIRECTION OFF TOP OF REEL

STE

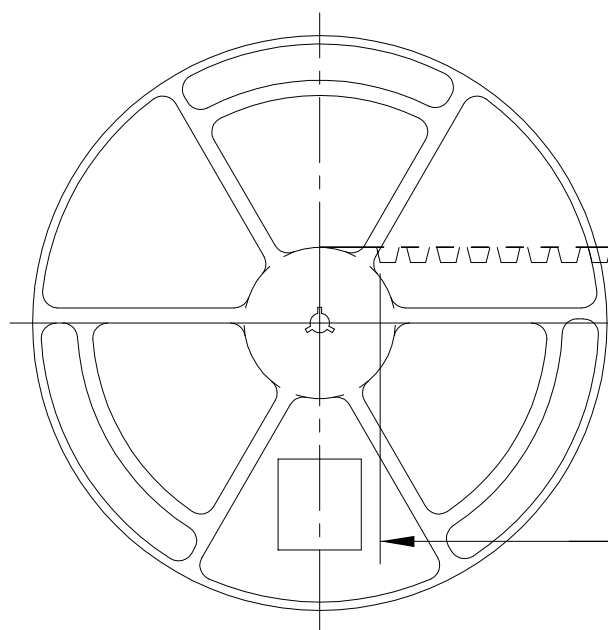
EAG63652001-YYYYMMDD-*****-HK000120
 SPEC: 2.7H SPRING FINGER WITH EMBOSS
 Company Name: TE CONNECTIVITY
 Tyco Part Number : 2108614-5

RoHS
H/F

1. LG PART NO.
2. FINAL INSPECTION (YYMMDD)
3. VENDOR PRODUCTION LOT NO.
4. VENDOR CODE

Ø100 REF
FLANGE CORE DIA.

Ø330 REF
REEL DIA.



WEEDING THE COVER TAPE,
AROUND THE OUTER
PERIPHERY IN
A TURN.

165°~180°
PEELING ANGLE
0.1~1.0 N
PEELING FORCE

WITH PRODUCT CHARGE
5500EA/REEL

WITHOUT CHARGE
400mm REF

WITHOUT CHARGE
160mm REF

13.4 REF
19.4 REF
REEL WIDTH

THIS DRAWING IS A CONTROLLED DOCUMENT.		DWN JH GONG 08FEB2013		STE TE Connectivity				
		CHK JH KIM 08FEB2013						
DIMENSIONS: mm 		TOLERANCES UNLESS OTHERWISE SPECIFIED: ±0.15		NAME				
		0-PLC ± 1-PLC ±0.5 2-PLC ±0.13 3-PLC ±0.013 4-PLC ±0.0001 ANGLES ± FINISH -		APVD JH KIM 08FEB2013		SPRING FINGER 2.7H		
MATERIAL -		PRODUCT SPEC 108-XXXXX		SIZE	CAGE CODE			DRAWING NO
		APPLICATION SPEC -		A3	00779	©=2108614	-	
		WEIGHT -		CUSTOMER DRAWING		SCALE 20:1	SHEET 2 OF 2	REV C2