

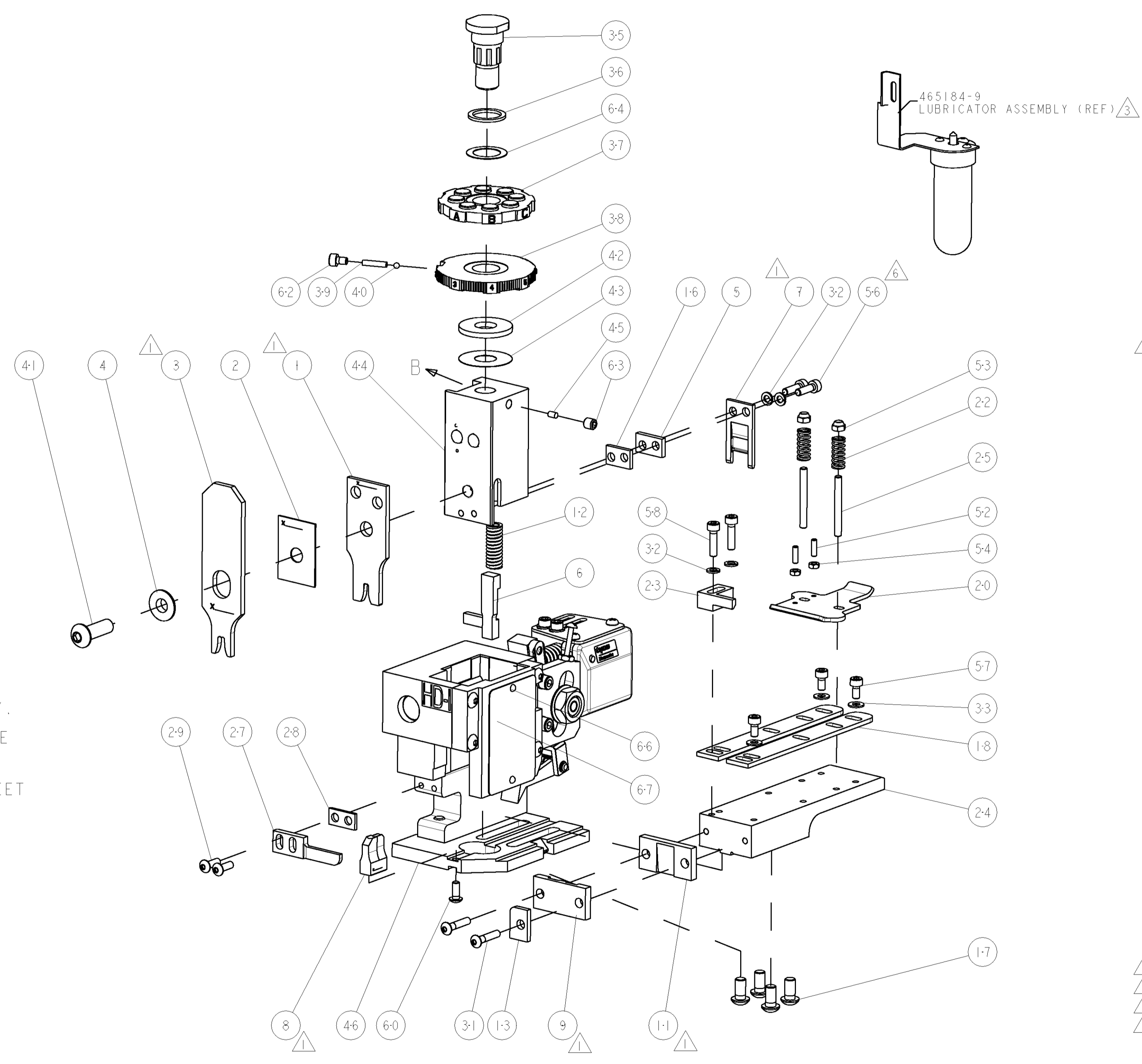
PART NUMBER	REV	TERMINATOR	FEED TYPE	DESCRIPTION
1339816-1	B	BENCH & LEADMAKER	MECH POST FEED	HDI APPLICATOR
7-1339816-1	B	BENCH & LEADMAKER	MECH POST FEED	-1 AND SPARE PARTS
7-1339816-7	A	-	-	SPARE PARTS KIT

SET UP GAGE
458638-3

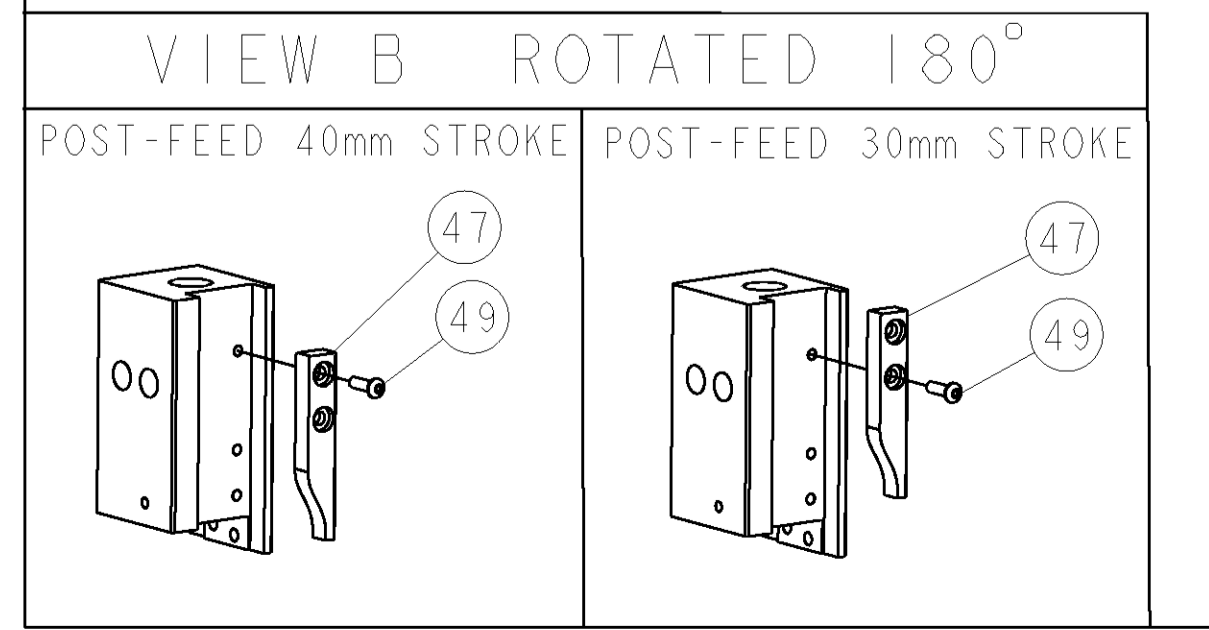
LOC	DIST	REV	DATE	BY	CHK
A	66				

CRIMP DATA	TE TERMINAL	TE CRIMP SPECS
TERMINAL NAME: RECEPTACLE		
CRIMP	SIZE	TYPE
WIRE	3.05 [.120 IN]	F
INSUL	4.57 [.180 IN]	F
WIRE STRIP LENGTH		APPL INSTRUCTIONS
3.90-4.70 [.154-.185 IN]		408-8323
TERMINAL APPL SPEC	114-3118	FEED 19.56 [.770 IN]

TERMINALS APPLIED	WIRE SIZE	CRIMP HEIGHT	PIN PN & LENGTH [IN]
140712	2.00mm ²	1.78 ±0.05 [.070 ±.002 IN]	8-354778-7 [.2930]
140621	1.50mm ²	1.65 ±0.05 [.065 ±.002 IN]	9-354778-9 [.2990]
140622	1.00mm ²	1.52 ±0.05 [.060 ±.002 IN]	1-354779-2 [.3050]
-	0.80mm ²	1.47 ±0.05 [.058 ±.002 IN]	1-354779-6 [.3070]



- 1 RECOMMENDED SPARE PARTS
- 2 GREASE RAM, CAM, CAM FOLLOWER AND FEED ROD LIGHTLY.
- 3 CERTAIN TERMINALS REQUIRE LUBRICATION. REFER TO THE APPLICATOR INSTRUCTION SHEET FOR MORE INFORMATION.
- 4 LUBRICATE DAILY PER THE APPLICATOR INSTRUCTION SHEET SUPPLIED WITH THE APPLICATOR.
- 5 WIRE RANGE SHOWN IS THAT OF THE APPLICATOR. TERMINAL WIRE RANGE IS 18 - 14 AWG.
- 6 CUT TO LENGTH AT ASSEMBLY.



QTY	ITEM NO	PART NO	DESCRIPTION	ITEM NO
-	1	1338705-2	DOCUMENTATION PACKAGE	71
-	1	461264-1	PLATE, IDENTIFICATION	67
-	2	21017-2	SCREW, DRIVE	66
-	1	986950-1	WASHER, FLAT PRECISION	64
-	1	3-18031-0	SCR, SET, CUP POINT M6 X 6.0	63
-	1	18023-9	SCR, SKT HD CAP M4 X 6.0	62
-	1	18024-7	SCR, BTN SKT HD CAP (M4 X 10.0)	60
-	2	1-18023-3	SCR, SKT HD CAP M4 X 16.0	58
-	3	1-18023-0	SCR, SKT HD CAP M4 X 8.0	57
-	2	9-18023-6	SCR, SKT HD CAP M4 X 14.0	56
-	2	18029-1	NUT, HEX, REG M3	54
-	2	986965-1	NUT, LOCK, HEX, TORQUE (M4)	53
-	2	2-18032-2	SCR, SET, FLT POINT M3 X 10.0	52
-	1	18024-3	SCR, BTN SKT HD CAP (M3 X 10.0)	49
-	1	1338676-1	CAM, UNIVERSAL POST-FEED	47
-	1	1338662-1	SUB ASSY, APPLICATOR FRAME	46
-	1	690191-1	PLUG, NYLON	45
-	1	1320998-1	RAM	44
-	1	690125-1	SHIM SUB-ASSY	43
-	1	690124-1	WASHER, RAM (.115)	42
-	1	2-18024-6	SCR, BTN SKT HD CAP (M8 X 25.0)	41
-	1	23241-1	BALL, STEEL	40
-	1	2-22278-7	SPRING, COMPRESSION	39
-	1	1320922-1	DISC, ADJUST, INSULATION CRIMP	38
-	1	354777-1	WIRE DISC, ASSEMBLY	37
-	1	22480-5	SPRING, COMPRESSION	36
-	1	690212-1	POST, RAM	35
-	3	18027-2	WASHER, FLAT, REG M4	33
-	4	18025-2	WASHER, SPRG LOCK, REG M4	32
-	2	1-18024-0	SCR, BTN SKT HD CAP (M4 X 20.0)	31
-	2	18024-8	SCR, BTN SKT HD CAP (M4 X 12.0)	29
-	1	3-690451-2	SPACER, STRIPPER	28
-	1	240639-1	STRIPPER (MACHINING)	27
-	2	1320906-1	STUD, THREADED	25
-	1	1320995-1	PLATE, STRIP GUIDE	24
-	1	240825-3	PLATE, STRIP HOLD DOWN	23
-	2	4-22281-1	SPRING, DRAG	22
-	1	1338665-1	DRAG	20
-	2	1338663-5	GUIDE, LOWER STRIP	18
-	4	1-18024-8	SCR, BTN SKT HD CAP (M6 X 12.0)	17
-	1	1338708-1	SPACER, SLUG BLADE	16
-	1	690481-7	SPACER, HOLD DOWN	13
-	1	23846-1	SPRING, DIE	12
-	1	240644-1	PLATE, REAR SHEAR	11
-	1	690482-5	PLATE, FRONT SHEAR	9
-	1	1-1633384-6	ANVIL, COMBINATION	8
-	1	690474-5	BLADE, SLUG	7
-	1	455892-8	HOLD DOWN, TERMINAL	6
-	1	240641-5	SPACER	5
-	1	2-238009-5	BLOCK, FL CRIMPER SPACER	4
-	1	4-1633471-5	CRIMPER, INSULATION F	3
-	1	455888-6	SPACER, CRIMPER	2
-	1	456409-5	CRIMPER, WIRE .120 "F" PREMIUM	1

TYCO ELECTRONICS CORPORATION, 17105-3608 HARRISBURG, PA 17105-3608

DATE: 01MAR2007
 DWN: J. LOFTHOUSE
 CHK: M. CLIFFORD

PRODUCT SPEC: END FEED HDI APPLICATOR

SCALE: 3:5 SHEET 1 OF 1 REV B