

FUSB303EVBUM

FUSB303 Evaluation Board User's Manual



ON Semiconductor®

www.onsemi.com

EVAL BOARD USER'S MANUAL

Introduction

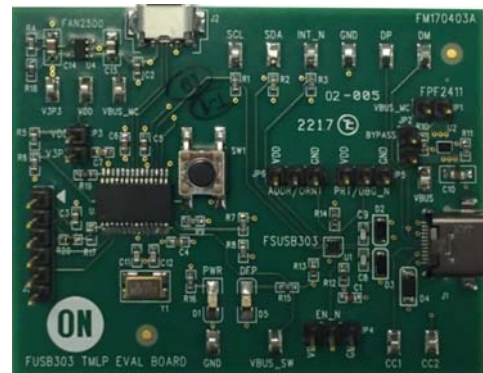
The FUSB303 evaluation board and included software allows customers a complete platform to evaluate the Type-C™ interface detection solution the FUSB303 provides. The evaluation board is designed for both stand-alone operation and connection to test equipment for specific testing requirements. With a single connection to a PC and using the FUSB303 GUI (Graphical User Interface), or with just a power supply, the evaluation board can be configured and function as a Source, Sink, or DRP device with Accessory detection support.

Description

The FUSB303 device is a fully autonomous USB Type-C™ controller optimized for 15W or less applications. The FUSB303 offers CC logic detection for Source Port role, Sink Port role, DRP Port role, and accessory detection support, as well as Dead Battery support as defined in USB-C specifications. The FUSB303 features configurable I²C address to support multiple ports per system or it can operate autonomously configured by just pins. The FUSB303 features ultra-low power during operation and an ultra-thin, 12 Lead QFN package.

Features

- Fully Autonomous USB Type-C™ Port Controller
- Supports USB Type-C™ Specification Release 1.2
- Source, Sink, and DRP Port role Configuration with Optional Accessory Support
- Try.SRC and Try.SNK modes for Preferring Source Role or Sink Role Respectively
- V_{DD} Operating Range: 2.7 V – 5.5 V
- Typical Low Power Operation: I_{CC} < 10 μA
- GPIO and I²C Configurable
- Dead Battery Support (Sink Port role when No Power Applied)
- 4 kV HBM ESD Protection for Connector Pins
- Small Packaging: 12 Lead QFN (1.6 mm x 1.6 mm x 0.375 mm)



FUSB303EVBUM

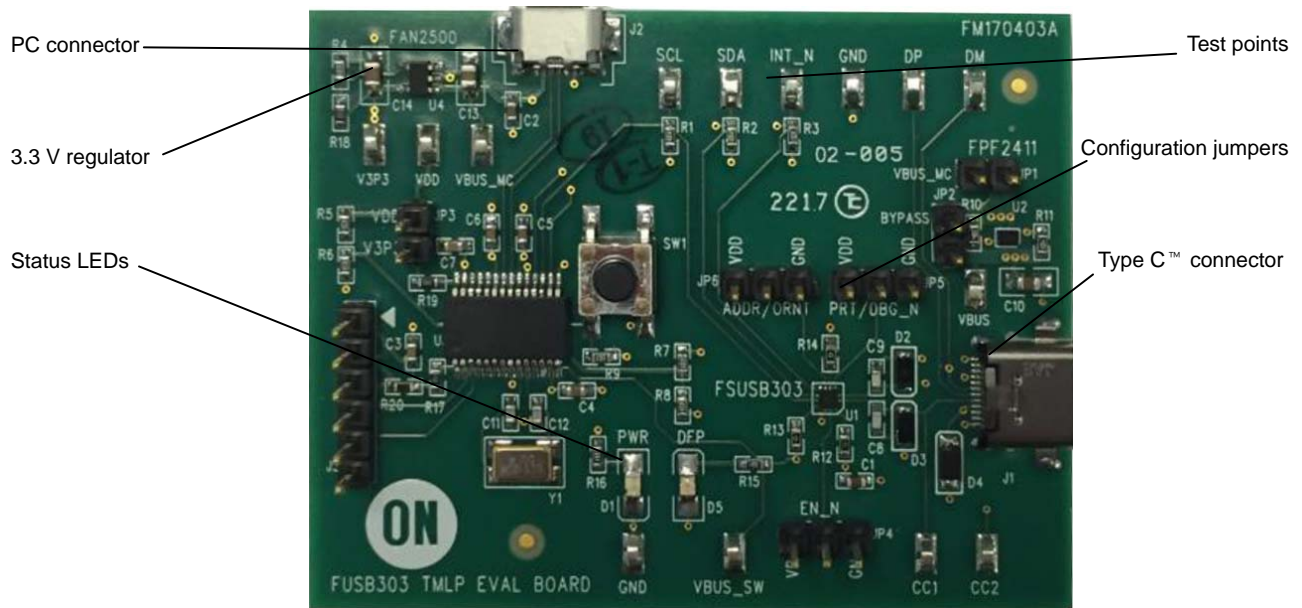


Figure 1. Evaluation Board Layout

APPLICATIONS INFORMATION

Power Configuration

The FUSB303 evaluation board is designed to be powered from just the PC connection or powered externally based on testing requirements.

Power Supplied From Board

The FUSB303 can fully operate from the VBUS input of the micro-B USB receptacle J2. To operate the evaluation board, the USB power should be provided to the board over the micro-B USB connector. Then, the on-board regulator generates VDD, which is 3.3V for the device supply. Once valid USB power is provided, the indicator LED, “PWR”, will be turned on.

I²C Communication

Communication with the FUSB303, when in I²C mode, is done through I²C accesses. The evaluation board allows for different ways of connecting I²C masters to the FUSB303.

Direct I²C Connection

Customers that want to directly control their I²C masters to the evaluation board can connect the I²C master signals to the SCL, SDA, and INT_N test points. The evaluation board has 10kΩ pull-ups to VDD, which is 3.3V, on each of these signals.

PC I²C Connection

The evaluation board uses a PIC32MX250F128 microcontroller as an I²C master to control the FUSB303 when it is configured as an I²C slave. This is the communication method used by the FUSB303 GUI. By connecting the PC to the micro-B USB receptacle, J2, the evaluation board automatically powers the microcontroller and connects the I²C master to the FUSB303.

Type-C™ Signal Connections

The FUSB303 evaluation board allows different ways of connecting to another Type-C™ device or controlling the signals of the Type-C™ receptacle based on the type of testing that is required.

CC Pins

The Type-C™ CC1 and CC2 pins are directly connected to the Type-C™ receptacle, J1, on the board. There is also a test point for each pin that can be used to connect the CC pins externally. Note that the FUSB303 evaluation board contains the minimum cReceiver capacitance specified in the USB PD specification for the CC pins which is 200pF. This capacitance is C8 and C9 in the schematic.

VBUS

VBUS is used differently based on the Type-C™ port type. As a device/UFP port, VBUS is directly connected to the Type-C™ receptacle, J1, and the VBUS test point located near J1. As a host/DFP port, VBUS can be supplied to the receptacle, J1, and controlled by the FUSB303 device. When connected to a PC, VBUS is supplied from the micro-B USB connection. The FUSB303 controls an on-board load switch, the FPF2411 or U2, for enabling of VBUS to the Type-C™ receptacle, J1.

VCONN

VCONN is not supplied nor managed on the evaluation board.

USB2.0 and SBU

The USB2.0 and SBU signals are left open in the Type-C™ connector and no connections on the board.

FUSB303EVBUM

Table 1. STATUS LEDS

LED ID	LED Name	Description
D1	PWR	VDD is supplied to FUSB303 and microcontroller
D5	DFP	FUSB303 is Source Port role

Table 2. CONFIGURATION JUMPERS

Jumper ID	Jumper Name	Description
JP1	VBUS_MC	Connects VBUS to PPF2411 load switch
JP2	BYPASS	Bypasses the PPF2411 load switch
JP3	VDD/V3P3	Connects V3P3 supply to VDD rail (for FUSB303 VDD, I ² C pull-ups, and GPIO pull-ups)
JP4 (Note 1)	EN_N	Configures FUSB303 EN_N Input when JP6 = HI or LO (I ² C mode) <ul style="list-style-type: none"> EN_N must be LO when JP6 = float (GPIO mode) Float or HI = FUSB303 disabled LO = FUSB303 enabled
JP5 (Note 1)	PRT/DBG_N	Configures the FUSB303 PORT/DEBUG_N input when JP6 = HI or LO (I ² C mode) <ul style="list-style-type: none"> PRT/DBG_N is ignored when JP6 = float (GPIO mode) Float = port type is DRP HI = port type is SRC only LO = port type is SNK only
JP6 (Note 1)	ADDR/ORNT	Configures the FUSB303 ADDR/ORIENT input when JP6 = HI or LO (I ² C mode) <ul style="list-style-type: none"> LO = I²C 7-bit address is 21h (42h >> 1) HI = I²C 7-bit address is 31h (62 >> 1) When JP6 = float (GPIO mode) <ul style="list-style-type: none"> GPIO mode; no I²C access

1. Refer to FUSB303 datasheet for more details on these signals

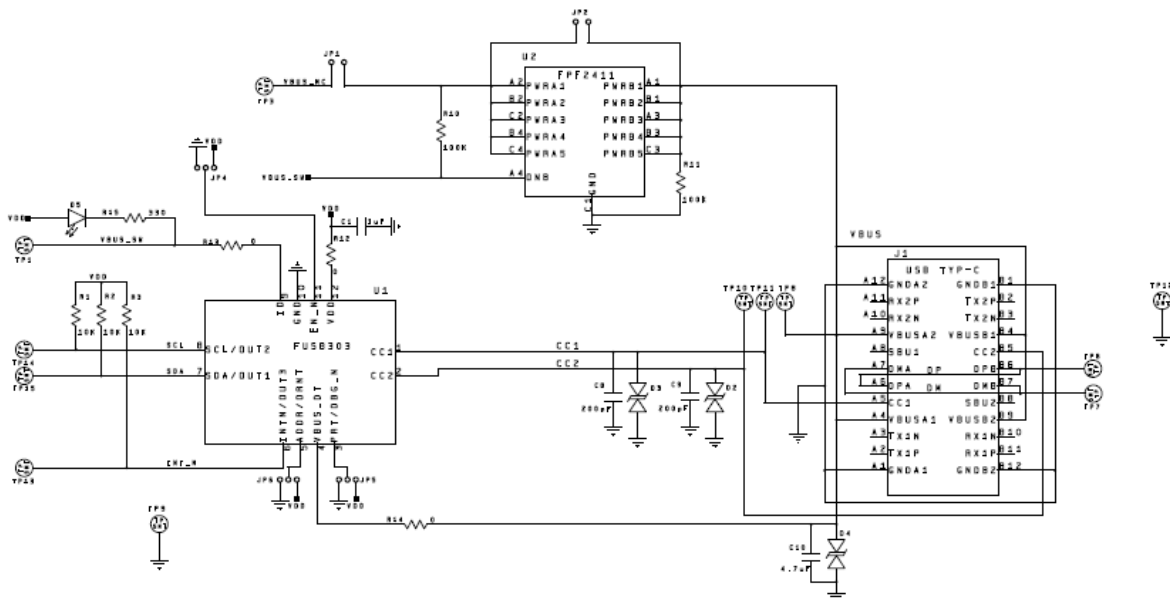


Figure 2. FUSB303 Evaluation Board FM170403A Schematic (1/2)

FUSB303EVBUM

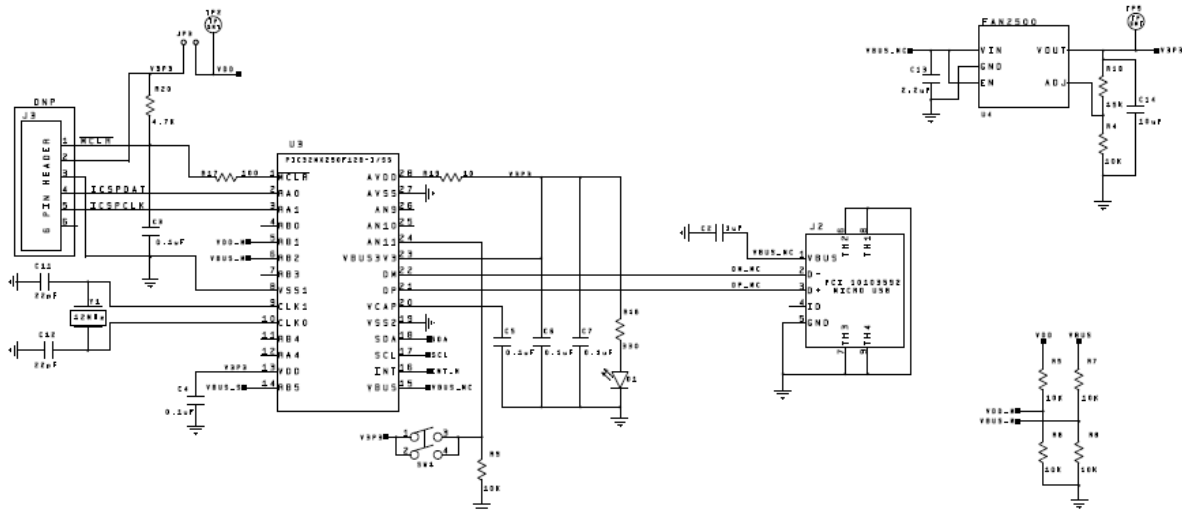


Figure 3. FUSB303 Evaluation Board FM170403A Schematic (2/2)

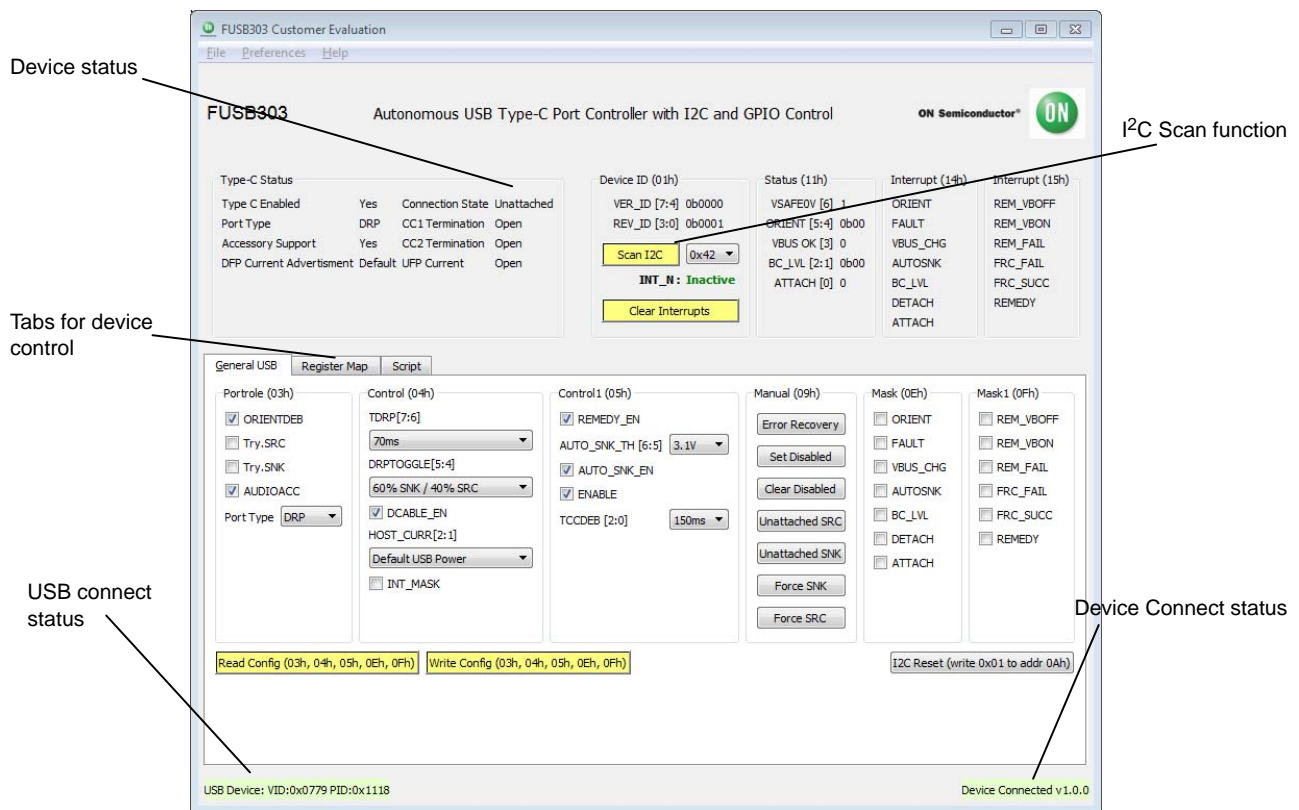


Figure 4. FUSB303 GUI Layout

GUI Installation

The FUSB303 GUI requires no special installation procedure. After requesting and receiving the download link for the GUI, download the archived GUI. Then extract the GUI file to an installation location on the PC.

GUI Startup

Double-click on the FUSB303 GUI executable to run the program. Plug the STD-A end of the USB cable into the

USB port of your PC. Plug the micro-B end of the USB cable into the GUI interface, J2, on the evaluation board. The “PWR” LED will illuminate if properly connected. Wait for the USB port to connect with a message in the lower left hand corner of the GUI that states “USB Device: VID: 0x0779 PID: 0x1118” highlighted in green. If the message background remains red and states “Disconnected”, then there is a connection problem.

FUSB303EVBUM

Automatic FUSB303 EVB I²C Address Detection

Before connecting the FUSB303 EVB to the GUI, the GUI will display a message in the lower right hand corner that states “No Device” highlighted in red. When the FUSB303 EVB is connected to the PC, the GUI will scan the FUSB303 EVB for its I²C address. Then the GUI will change the message in the lower right hand corner to state “Device Connected: v1.0.0” highlighted in green (possibly a different version number if the EVB firmware gets updated in the future). If the EVB is not detected, try clicking the “Scan I²C” button in the top, middle of the GUI (Figure 4) to see if this resolves the I²C address and connects.

GUI Dropdown Menus

- File
 - ◆ Click “Exit” to quit
- Preferences
 - ◆ Click “Auto Poll” to have the GUI constantly poll the FUSB302 EVB status
- Help
 - ◆ Click “About” to see the version of the GUI

FUSB303 EVB Status

When in “Auto Poll” mode, the FUSB303 GUI will constantly poll the FUSB303 EVB for various status and information. This information is displayed in the Type–C Status, Device ID, Status, and Interrupt sections across the top of the GUI.

General USB Tab

This tab allows you to read the current configuration of the FUSB303 with the Read Config button. It also allows you to change the configuration of the FUSB303 with the Write Config button. And the I²C Reset button allows you to reset the FUSB303 to its default configuration. Each section of the General tab correlates to a register of the FUSB303 and is described in the Register Definitions section of the FUSB303 datasheet.

Register Map Tab

This tab allows you to read or write any value to any register in the FUSB303. When performing a register write, the selected register/register is/are read back again to confirm the write action. So the write button actually performs a write then read function.

Script Tab

This tab enables the use of scripts to configure the FUSB303. Scripts can be added through the GUI using the editing window on the left of the tab. This edit window allows for normal copying and pasting to or from any text file if you want to save or copy your scripts from external files. Each line of the script should be formatted as follows:

Command, port, I²C addr, # bytes, register addr, data1, ..., dataN, optional comment

The *Command* is: “r” or “w”

The *port* is always 0

The *I²C addr* is either 0x42, 0x4A, 0x62, or 0x6A

The *# bytes* is the number of bytes to read or write

The *register addr* is the starting register address

The *data1* through *dataN* are for writing values to registers

And *optional comment* is just informational

Each field can be separated with a space (“ ”), a comma (“,”), or a semicolon (“;”).

An example of reading from 3 consecutive registers:

r 0 0x42 3 0x04 ; read 3 bytes starting at CONTROL (register address 0x04)

An example of writing to 2 consecutive registers:

w 0 0x42 2 0x0E 0x22 0x55 ; write 2 bytes starting at MASK (register address 0x0E)

The Execute button will run all the lines of the script.

The Step button will execute the highlighted line.

The Loop feature will loop the entire script up to 99 times. Setting Loop count to 0 will loop indefinitely.


Results of the executed script are shown in the box on the right side of the tab. These results can be copied and pasted to an external file.

Table 3. REVISION HISTORY

Rev.	Date	Description
1.0	October 2017	Initial release

FUSB303EVBUM

All brand names and product names appearing in this document are registered trademarks or trademarks of their respective holders.

ON Semiconductor and  are trademarks of Semiconductor Components Industries, LLC dba ON Semiconductor or its subsidiaries in the United States and/or other countries. ON Semiconductor owns the rights to a number of patents, trademarks, copyrights, trade secrets, and other intellectual property. A listing of ON Semiconductor's product/patent coverage may be accessed at www.onsemi.com/site/pdf/Patent-Marking.pdf. ON Semiconductor reserves the right to make changes without further notice to any products herein. ON Semiconductor makes no warranty, representation or guarantee regarding the suitability of its products for any particular purpose, nor does ON Semiconductor assume any liability arising out of the application or use of any product or circuit, and specifically disclaims any and all liability, including without limitation special, consequential or incidental damages. Buyer is responsible for its products and applications using ON Semiconductor products, including compliance with all laws, regulations and safety requirements or standards, regardless of any support or applications information provided by ON Semiconductor. "Typical" parameters which may be provided in ON Semiconductor data sheets and/or specifications can and do vary in different applications and actual performance may vary over time. All operating parameters, including "Typicals" must be validated for each customer application by customer's technical experts. ON Semiconductor does not convey any license under its patent rights nor the rights of others. ON Semiconductor products are not designed, intended, or authorized for use as a critical component in life support systems or any FDA Class 3 medical devices or medical devices with a same or similar classification in a foreign jurisdiction or any devices intended for implantation in the human body. Should Buyer purchase or use ON Semiconductor products for any such unintended or unauthorized application, Buyer shall indemnify and hold ON Semiconductor and its officers, employees, subsidiaries, affiliates, and distributors harmless against all claims, costs, damages, and expenses, and reasonable attorney fees arising out of, directly or indirectly, any claim of personal injury or death associated with such unintended or unauthorized use, even if such claim alleges that ON Semiconductor was negligent regarding the design or manufacture of the part. ON Semiconductor is an Equal Opportunity/Affirmative Action Employer. This literature is subject to all applicable copyright laws and is not for resale in any manner.

PUBLICATION ORDERING INFORMATION

LITERATURE FULFILLMENT:

Literature Distribution Center for ON Semiconductor
19521 E. 32nd Pkwy, Aurora, Colorado 80011 USA
Phone: 303-675-2175 or 800-344-3860 Toll Free USA/Canada
Fax: 303-675-2176 or 800-344-3867 Toll Free USA/Canada
Email: orderlit@onsemi.com

N. American Technical Support: 800-282-9855 Toll Free
USA/Canada
Europe, Middle East and Africa Technical Support:
Phone: 421 33 790 2910

ON Semiconductor Website: www.onsemi.com

Order Literature: <http://www.onsemi.com/orderlit>

For additional information, please contact your local Sales Representative