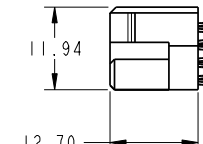
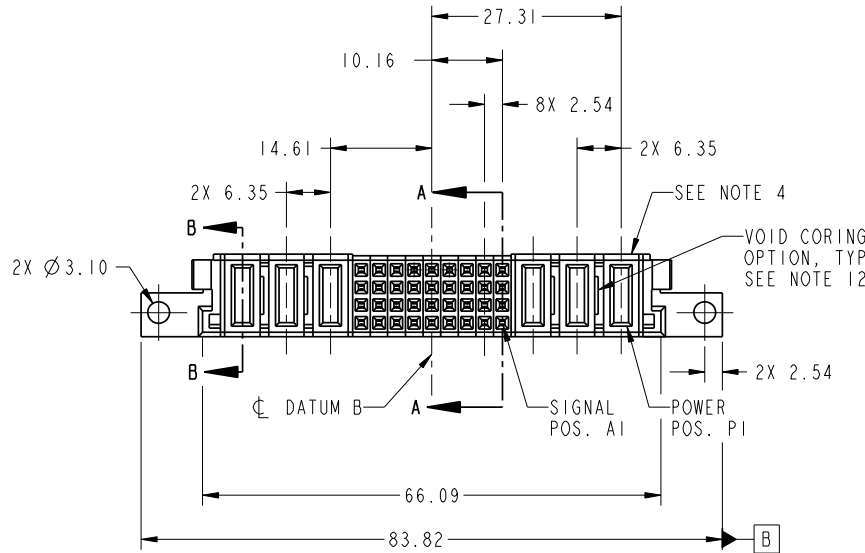


Tous droits strictement réservés. Reproduction ou communication a des tiers interdite sous quelque forme que ce soit sans autorisation écrite du propriétaire. Propriété de c FCI. Droits de reproduction FCI.



All rights strictly reserved. Reproduction or issue to third parties in any form whatever is not permitted without written authority from the proprietor. Property of FCI. Copyright FCI.

PRODUCT NO.	ROWS	POWER			SIGNAL							POWER			E1					
		E2	P6	P5	P4	9	8	7	6	5	4	3	2	1		P3	P2	P1		
51940-383-- NOTE: 3	D C B A		PC	PC	PC	F	F	F	F	F	F	F	F	F	F	F	PC	PC	PC	



CODE	DIM "M" MATING LENGTH	CONTACT TYPE
PC	[1.07]	POWER
F	[N/A]	SIGNAL

mal'1 code				SEE NOTES		tolerances unless otherwise specified		CUSTOMER		FCI	
lir	ecn no.	dr	date	linear	0.X ±0.5	projection		COPY		www.fciconnect.com	
A	DG11-0041	HZ	02/17/11	angles	0.XX ±0.25	MM		title		3P + 36S + 3P	
				dr	0.XXX ±0.1	1:1		product family		PwrBlade	
				enr	0° ±2°			size		213	
				chr				dwg no		51940-383	
				appd				sheet		1 of 4	
sheet index	revision sheet	A	A	A	A			cage code		22526	
		1	2	3	4						

Pro/E

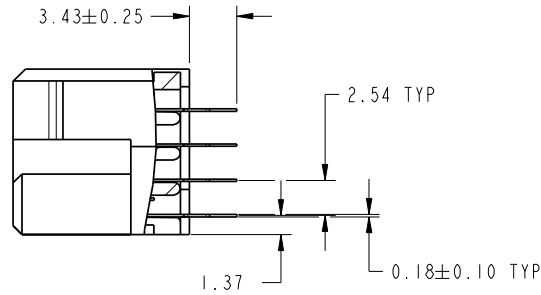
cage code 22526

Tous droits strictement réservés. Reproduction ou communication a des tiers interdite sous quelque forme que ce soit sans autorisation écrite du propriétaire. Propriete de c FCI. Droits de reproduction FCI.

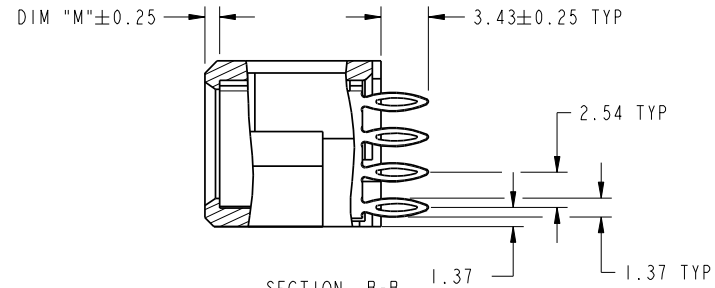
All rights strictly reserved. Reproduction or issue to third parties in any form whatever is not permitted without written authority from the proprietor. Property of FCI. Copyright FCI.



PRODUCT NUMBER  
51940-383\_  
NOTE: 3



SECTION A-A  
SCALE 2:1



SECTION B-B  
SCALE 2:1

mat'l code				tolerances unless otherwise specified			CUSTOMER		FCI		www.fciconnect.com	
lir	ecn no.	dr	date	linear	COPY			projection	title			
A					0.X ±0.5				3P + 36S + 3P			
					0.XX ±0.25				VERTICAL PRESS-FIT RECEIPT			
				angles	0.XXX ±0.1			MM	product family		PwrBlade	code
					0° +2°				size		dwg no	213
				dr	Helen Zhang	02/17/11	scale	A	51940-383		sheet	
				enr	Anson Liu	02/17/11			2 of 4			
				chr	PM Zheng	02/17/11						
				appd	Joseph Hsia	02/17/11						
sheet index	revision sheet											

cage code 22526

Pro/E



Tous droits strictement réservés. Reproduction ou communication a des tiers interdite sous quelque forme que ce soit sans autorisation écrite du propriétaire. Propriété de c FCI. Droits de reproduction FCI.

All rights strictly reserved. Reproduction or issue to third parties in any form whatever is not permitted without written authority from the proprietor. Property of FCI. Copyright FCI.

**PRODUCT NUMBER**  
51940-383\_  
NOTE: 3

**NOTES:**

1. DIMENSIONS AND TOLERANCES ARE IN ACCORDANCE WITH ASME Y14.5M, 1994 UNLESS OTHERWISE SPECIFIED.

**CONNECTOR NOTES:**

- 2 HOUSING MATERIAL: UL 94 V-0 GLASS FILLED HIGH-TEMP THERMOPLASTIC  
POWER CONTACT MATERIAL: COPPER ALLOY  
SIGNAL PIN MATERIAL: COPPER ALLOY
  - 3. PLATING SPEC.  
SEE ITEM 7 & 8 IN PRINT 10064183 FOR PLATING SPEC OF 51940-383 AND 51940-383LF RESPECTIVELY.
  - 4 MANUFACTURER'S NAME, DATE CODE AND OPTIONAL P/N TO APPEAR ON THIS SURFACE. THE P/N CAN BE OMITTED IF THERE IS NOT ENOUGH SPACE ON THIS SURFACE.
  - 5. PRODUCT SPECIFICATION GS-12-149.  
APPLICATION SPECIFICATION BUS-20-067.
  - 6. PACKAGED IN TRAYS.
- PCB NOTES:**
- 7. ALL HOLE DIAMETERS ARE FINISHED HOLE SIZE.
  - 8 MOUNTING HOLES, WHERE APPLICABLE, ARE UNPLATED.
  - 9  $\varnothing 1.151 \pm 0.025$  DRILLED HOLES PLATED WITH 0.008 MIN SnPb OR Sn OVER 0.03 TO 0.08 Cu PLATING TO ACHIEVE  $\varnothing 1.02 \pm 0.07$  HOLE.
  - 10 "DIM XXX" TO BE DETERMINED BY THE CUSTOMER.
  - 11 CONNECTOR KEEP-OUT ZONE.
  - 12. THE VOID CORING IN BETWEEN POWER MODULES, SIGNAL MODULES AND END MODULES ARE OPTIONAL AND THE SHAPE MAY BE DIFFERENT FOR OPTIMIZE THE MOLDING PROCESS. THE VOID CORING WILL NOT EFFECT TO PRODUCT FUNCTION.

mat'l code				tolerances unless otherwise specified		CUSTOMER		FCI	
lfr	ecr no.	dr	date	linear	0.X ± 0.5	COPY		www.fciconnect.com	
A				projection	0.XX ± 0.25	projection		title	
				angles	0.XXX ± 0.1			3P + 36S + 3P VERTICAL PRESS-FIT RECEPT	
				dr	0° + 2°	MM		product family PwrBlade code	
				enr	Helen Zhang 02/17/11			size 213	
				chr	Anson Liu 02/17/11	scale 1:1		dwg no 4 of 4	
				appd	PM Zheng 02/17/11	A		51940-383	
					Joseph Hsia 02/17/11			sheet	
sheet index	revision sheet							4 of 4	

cage code 22526

Pro/E