

MATERIAL NUMBER	# OF COLUMNS	# OF DIFF PAIR	DIM "A" MAX	DIM "B"	PTH#
76560-1**	10	60	26.60	17.10	0.46+0.05
76560-7**	14	84	34.20	24.70	0.46+0.05
76560-6**	16	96	38.00	28.50	0.46+0.05
76560-1**	10	60	26.60	17.10	0.39+0.05
76560-7**	14	84	34.20	24.70	0.39+0.05
76560-6**	16	96	38.00	28.50	0.39+0.05

76560-\*\*\*\*

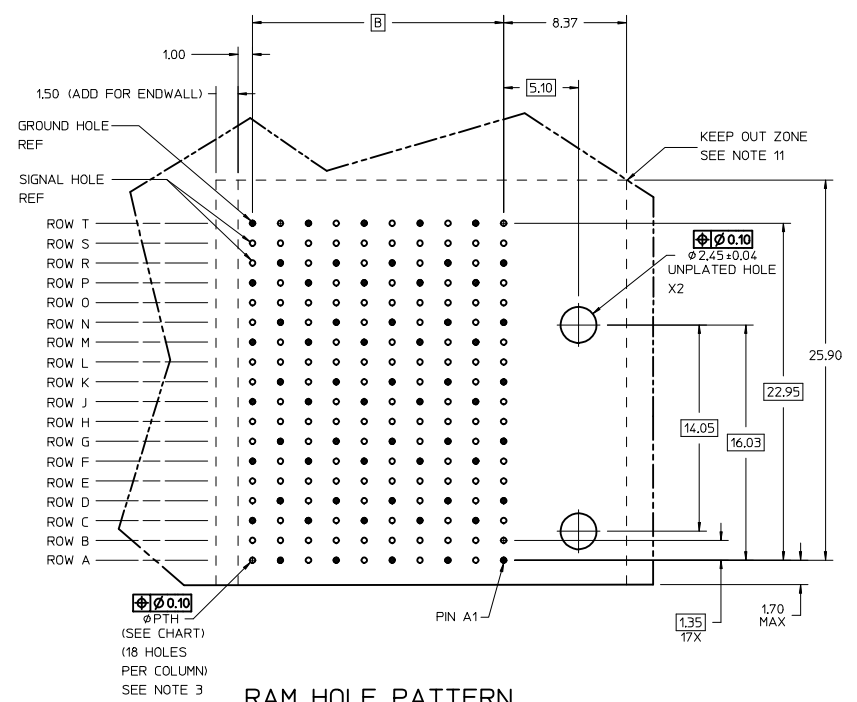
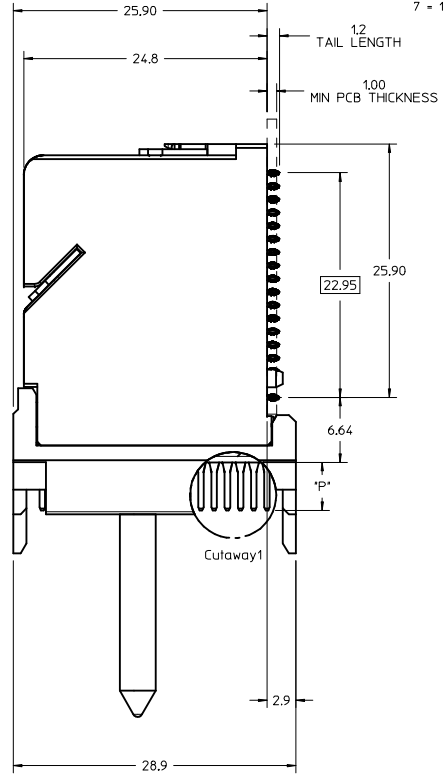
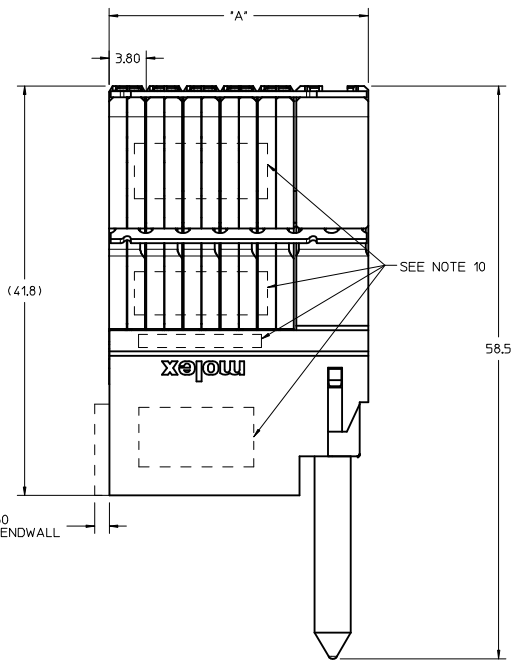
MODULE TYPE  
 5 - GUIDED, LEAD-FREE  
 9 - GUIDED, LEAD-FREE W/ ENDWALL

# OF COLUMNS  
 1 - 10 COLUMNS  
 6 - 16 COLUMNS  
 7 - 14 COLUMNS

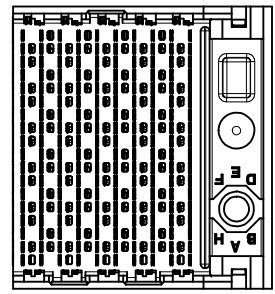
PIN LENGTH (P)  
 4 = 4.90 (0.46 PTH)  
 5 = 5.50 (0.46 PTH)  
 7 = 4.90 (0.39 PTH)  
 8 = 5.50 (0.39 PTH)

KEY ORIENTATION  
 0 = NO KEY  
 1 = A  
 2 = B  
 3 = C  
 4 = D  
 5 = E  
 6 = F  
 7 = G  
 8 = H

- NOTES:
1. MATERIALS: HOUSING - LIQUID CRYSTAL POLYMER (LCP), GLASS-FILLED, UL94V-0 TERMINALS - HIGH PERFORMANCE COPPER ALLOY
  2. FINISH: 30UM SELECTIVE GOLD IN CONTACT AREA, SELECTIVE TIN ON PCB TAILS, NICKEL OVERALL.
  3. REFER TO MOLEX PRODUCT SPECIFICATION PS-76060-999 FOR PERFORMANCE SPECIFICATIONS AND ADDITIONAL PCB INFORMATION.
  4. EACH SIGNAL WAFER CONTAINS 2 COLUMNS OF TERMINALS.
  5. PRODUCT IS PACKAGED PER PK-70873-777.
  6. THIS PART CONFORMS TO CLASS B REQUIREMENTS OF COSMETIC SPEC PS-45499-002.
  7. REFER TO MOLEX SALES DRAWING SD-76150-002 FOR THE MATING RECEPTACLES.
  8. REFER TO MOLEX PCB ROUTING GUIDE AS-76060-990 FOR ANTI PAD AND ROUTING RECOMMENDATIONS.
  9. OPEN WALL VERSION SHOWN FOR CLARITY, SEE PCB LAYOUT FOR OVERALL LENGTH ADDITION ON THE ASSEMBLIES WITH ENDWALLS.
  10. MARKING: LOCATED APPROXIMATELY AS SHOWN, PART NUMBER AND DATE CODE.
  11. THESE DIMENSIONS REPRESENT THE AREA NEEDED TO ACCOMMODATE CONNECTOR INSERTION AND REPAIR ON THE PCB, THIS IS REFERRED TO AS THE 'CONNECTOR KEEP OUT ZONE' AND DOES NOT REPRESENT THE ACTUAL PERIMETER OF THE CONNECTOR.



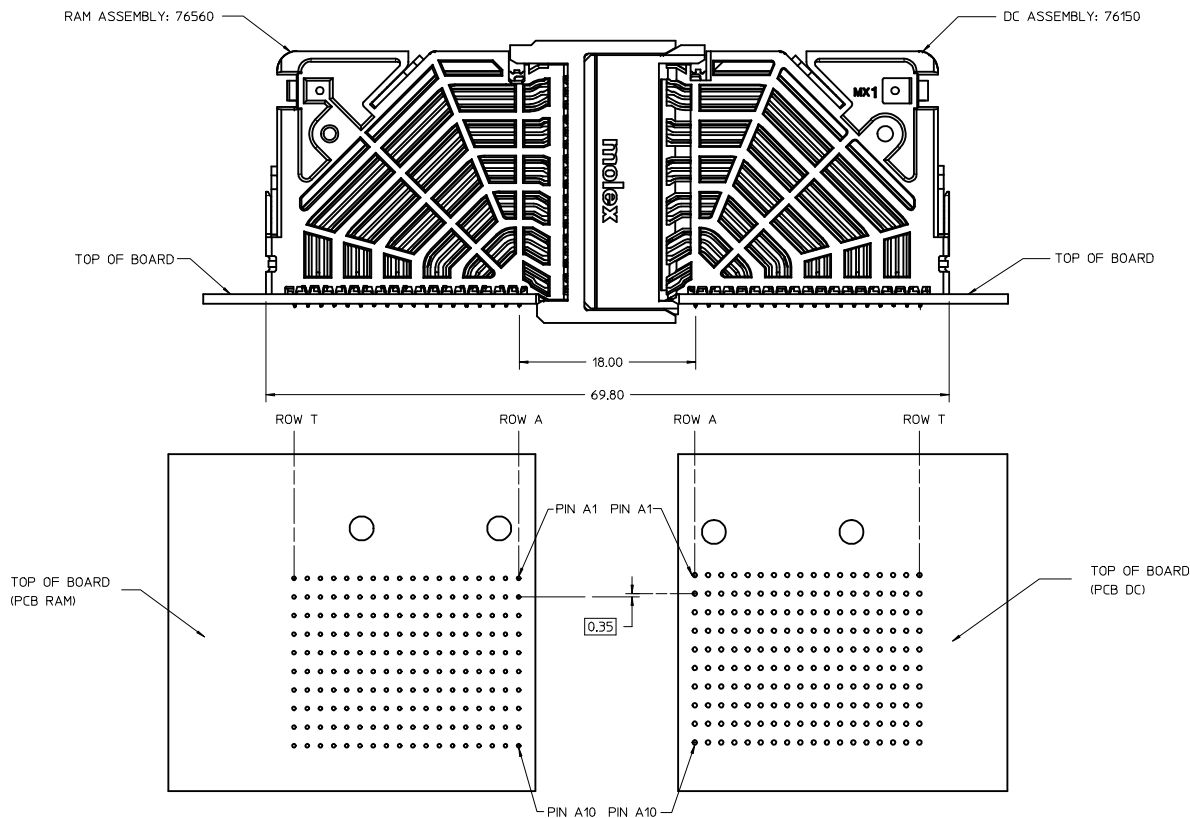
RAM HOLE PATTERN  
(CONNECTOR SIDE)



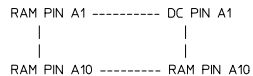
UPD SHEET 2 PCB VIEW EC NO. UCP2017-1613 DRAWN: GONZALEZ01 2017/01/20 CHKD: APPR: TELO 2017/01/20	QUALITY SYMBOLS ▽=0 ▽=0 ▽=0	GENERAL TOLERANCES (UNLESS SPECIFIED)		DIMENSION STYLE MM ONLY	SCALE 4:1	DESIGN UNITS METRIC	THIRD ANGLE PROJECTION					
		4 PLACES ± ---	3 PLACES ± ---	2 PLACES ± 0.13	1 PLACE ± 0.25	0 PLACE ± ---	ANGULAR ±1/2° DRAFT WHERE APPLICABLE MUST REMAIN WITHIN DIMENSIONS	DRAWN BY JGONZALEZ01	DATE 2015/06/25	CHECKED BY TELO	DATE 2016/01/10	MATERIAL NO. SEE TABLE

20 19 18 17 16 15 14 13 12 11 10 9 8 7 6 5 4 3 2 1

### COPLANER APPLICATION



### COPLANER MATED SIGNAL PATHS



<b>SEE SHEET 1</b> IEC NO. UCP2017-1613 DRAWN: GONZALEZ01 2017/01/20 CHKD: APPR: TELO	QUALITY SYMBOLS	GENERAL TOLERANCES (UNLESS SPECIFIED)	DIMENSION STYLE	SCALE	DESIGN UNITS	THIRD ANGLE PROJECTION
	▽=0	mm INCH	MM ONLY	4:1	METRIC	
	▽=0	4 PLACES ± --- ± ---	DRAWN BY	DATE	TITLE	
	▽=0	3 PLACES ± --- ± ---	JGONZALEZ01	2015/06/25	IMPACT 6 PAIR RAM MARRIED GUIDE RIGHT SALES DRAWING	
	2 PLACES ± 0.13 ± ---	1 PLACE ± 0.25 ± ---	CHECKED BY	DATE	DOCUMENT NO.	
	0 PLACE ± --- ± ---	ANGULAR ±1/2°	TELO	2016/01/10	SD-76560-9004	
	DRAFT WHERE APPLICABLE MUST REMAIN WITHIN DIMENSIONS		MATERIAL NO.	SHEET NO.		
			SEE CHART	2 OF 2		
			THIS DRAWING CONTAINS INFORMATION THAT IS PROPRIETARY TO MOLEX INCORPORATED AND SHOULD NOT BE USED WITHOUT WRITTEN PERMISSION			

19 18 17 16 15 14 13 12 11 10 9 8 7 6 5 4 3 2 1