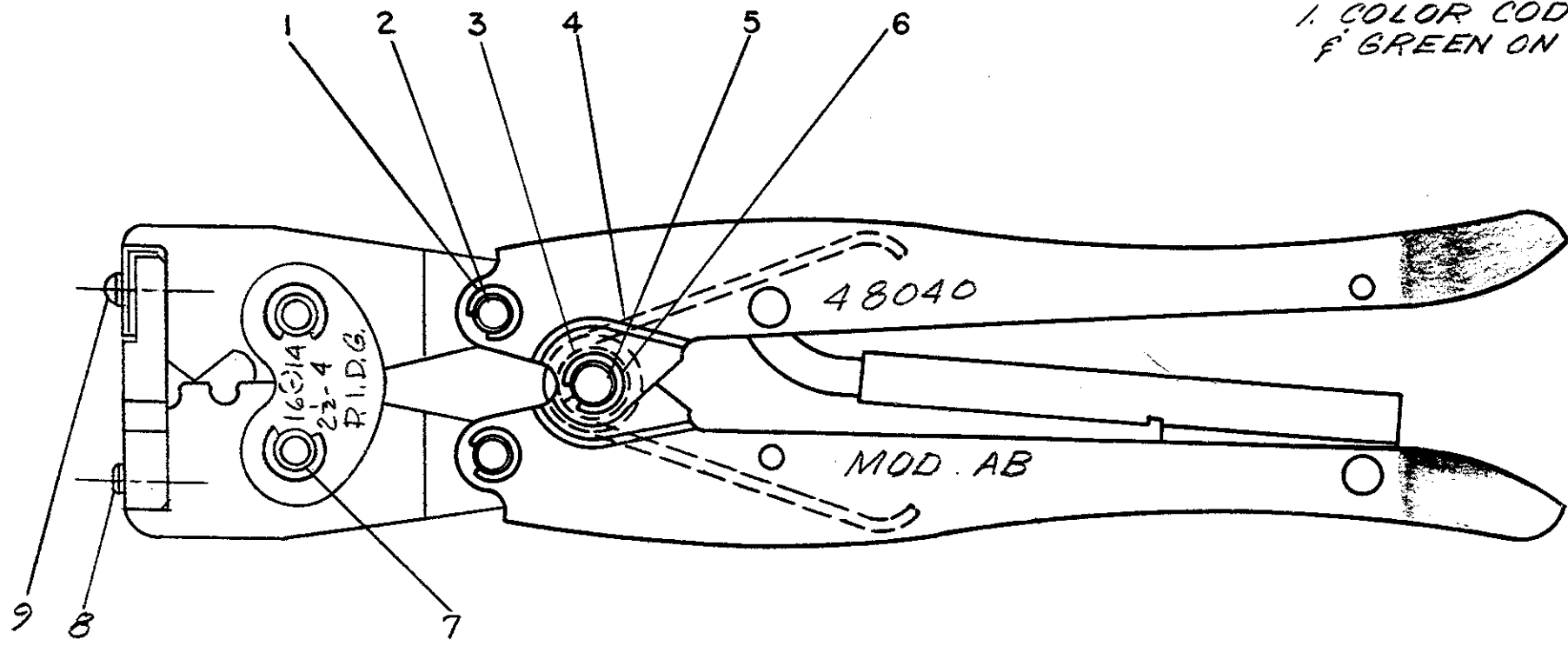


NOTE:

1. COLOR CODED BLUE ON ONE HANDLE  
 & GREEN ON THE OTHER HANDLE

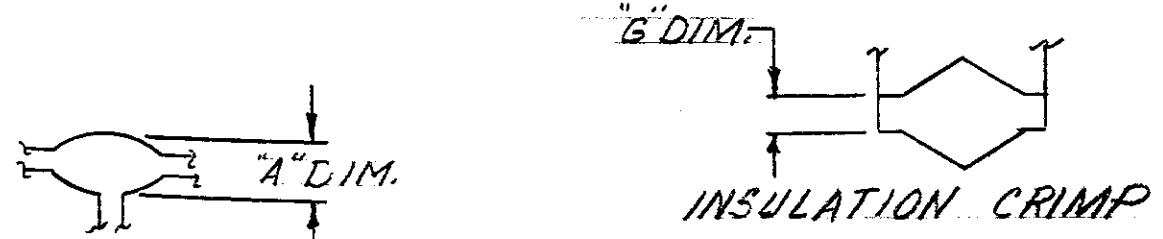


PLUG GAGE DIMENSIONS APPLY WHEN TOOL IS  
 BOTTOMED BUT NOT UNDER PRESSURE.

FOR REPLACEMENT OF PARTS OTHER THAN  
 LISTED, TOOL SHOULD BE RETURNED TO OUR  
 FACTORY TO INSURE PROPER CERTI-CRIMP  
 ADJUSTMENT.

SUPERSEDED BY I.S. 1570

1	4-21016-0	SCREW (8-32 UNC-2A X .625)	7
2	1-21002-8	SCREW (6-32 UNC-3A X .500)	8
2	300245	PIN-RETAINING	7
6	21045-6	RING-RETAINING	6
1	300449	PIN-RETAINING	5
1	39364	SPRING	4
1	39366	COLLAR	3
2	300432	PIN-RETAINING	2
4	21045-3	RING-RETAINING	1



ENLARGED VIEW OF CRIMP

"A" DIM.	
GO	NO GO
.1025	.1085

"B" DIM. AT POS. #1	
GO	NO GO
.038	.062

NO.	DESCRIPTION	QTY.	REVISION	DATE
1	48040			
2				
3				
4				
5				
6				
7				
8				
9				

DWG SIZE	NUMBER	NAME	REMARKS
©1969 BY AMP INCORPORATED. ALL RIGHTS RESERVED. AMP PRODUCTS COVERED BY PATENTS AND/OR PATENTS PENDING		CUSTOMER COPY REFERENCE	
DR <i>P. J. Smith</i> 11-25-69	MATERIAL AND FINISH		
CHK <i>P. J. Smith</i> 12-5-69	WIRE RANGE - INSULATION 16-19		
DE	TOLERANCE EXCEPT AS NOTED		CLASS <b>FLAB</b> TYPE <b>PPE INSULATED DWN. - SEIF</b>
APP <i>P. J. Smith</i> 12-5-69	LOC	SCALE	NO <b>48040-1</b> NAME <b>HAND TOOL ASSEMBLY</b>

DIMENSIONS IN INCHES DO NOT SCALE PRINT.  
 PRINT DATE: 12-5-69