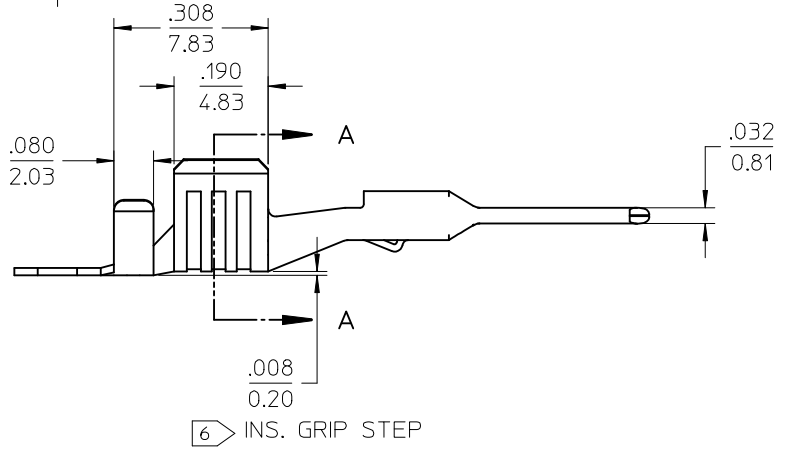
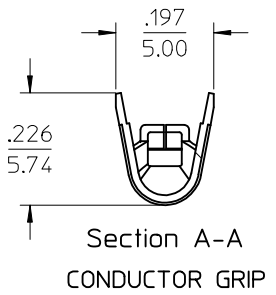
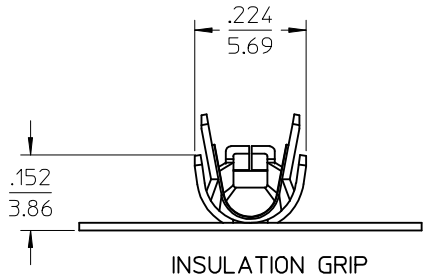
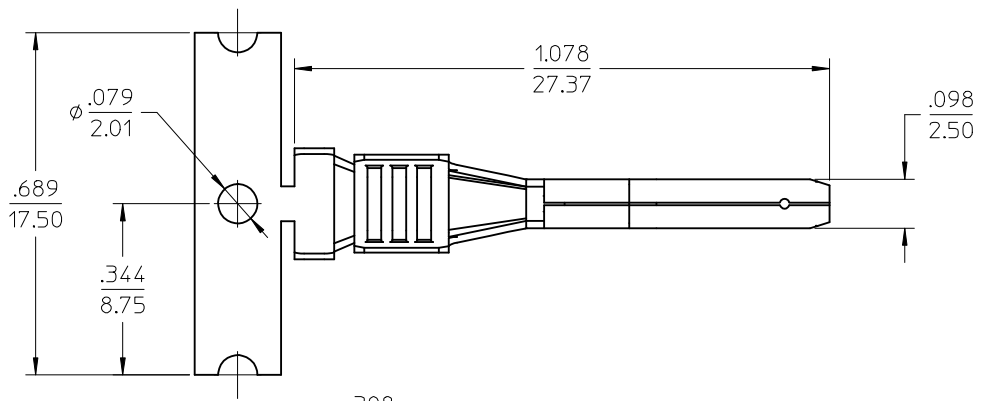
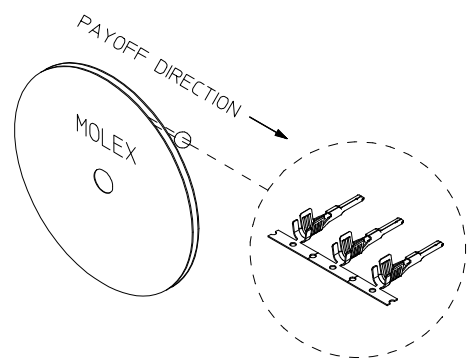
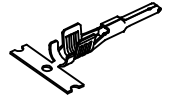


10 9 8 7 6 5 4 3 2 1

STRIP MATERIAL NUMBER	LOOSE PIECE MATERIAL NUMBER	AWG SIZE (MM?)	WIRE INSULATION DIAMETER
194310064	194310065	12AWG TW (3.00MM?)	.122"-.134" (3.10MM-3.40MM)



- NOTES:
1. MATERIAL: COPPER ALLOY.
 2. FINISH: PREPLATED AND REFLOWED OVERALL. 100 μ TIN OVER 50 μ NICKEL, MINIMUM.
 3. DO NOT USE TERMINALS WITH 19433**** PLUG HOUSINGS.
 4. PACKAGING SPECIFICATION: PK-19431-001 FOR LOOSE TERMINALS. STRIP PARTS ARE REELED 2500 TERMINALS PER REEL.
 5. APPLICATION TOOLING AND CRIMP SPECIFICATIONS: CONSULT FACTORY
 - 6 > INSULATION GRIP STEP DIMENSION NOT TO BE ALTERED BY CRIMP PROCESS.
 7. ALL DIMENSIONS ARE REFERENCE.

UPDATE WIRE AWG EC NO: PG2014-1616 DRAWN: WLEUNG 2014/03/13 CHKD: BRUPERT 2014/03/13 APPR: BWOODMAN 2014/03/30	QUALITY SYMBOLS	GENERAL TOLERANCES (UNLESS SPECIFIED)	DIMENSION STYLE	SCALE	DESIGN UNITS	THIRD ANGLE PROJECTION
	$\nabla F=0$ $\nabla E=0$ $\nabla F=0$	mm	IN/MM	4:1	INCH	MALE PIN TERMINAL, 12AWG TW (3.0MM/2) THIN WALL INSULATION molex
		4 PLACES \pm --- \pm ---	DRAWN BY WLEUNG	DATE 2013/12/12	TITLE	
		3 PLACES \pm --- \pm .010	CHECKED BY BRUPERT	DATE 2013/12/13		
	2 PLACES \pm 0.25 \pm .02	APPROVED BY		DOCUMENT NO. SD-19431-004	SHEET NO. 1 OF 1	
	1 PLACE \pm 0.5 \pm ---	MATERIAL NO. SEE CHART		THIS DRAWING CONTAINS INFORMATION THAT IS PROPRIETARY TO MOLEX INCORPORATED AND SHOULD NOT BE USED WITHOUT WRITTEN PERMISSION		
	0 PLACE \pm --- \pm ---	ANGULAR \pm 3°				
		DRAFT WHERE APPLICABLE MUST REMAIN WITHIN DIMENSIONS				

9 8 7 6 5 4 3 2 1