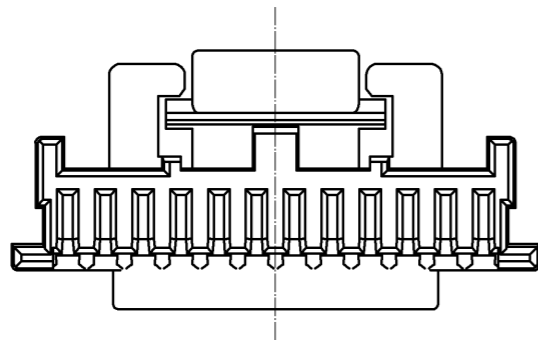
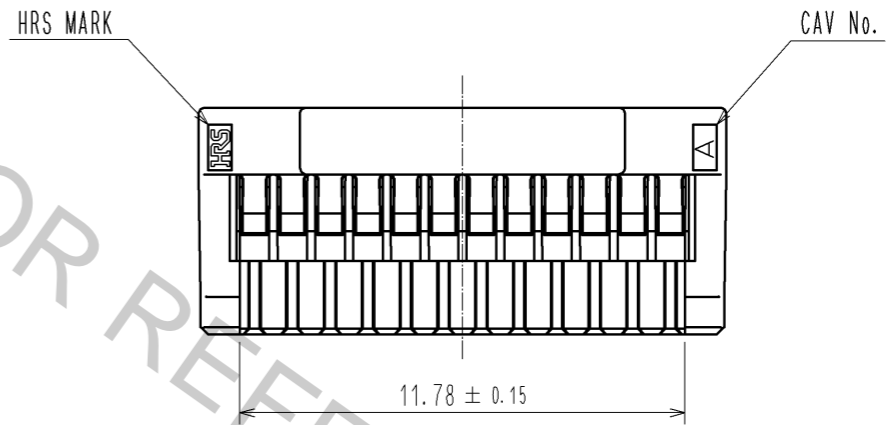
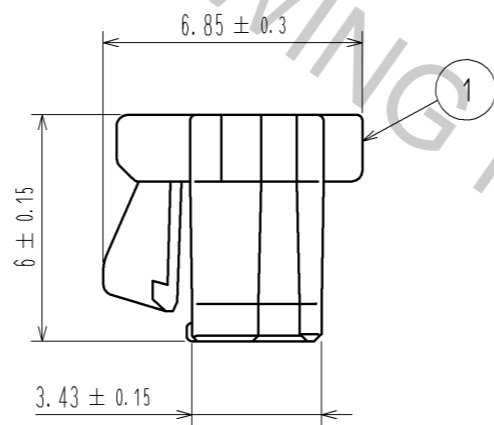
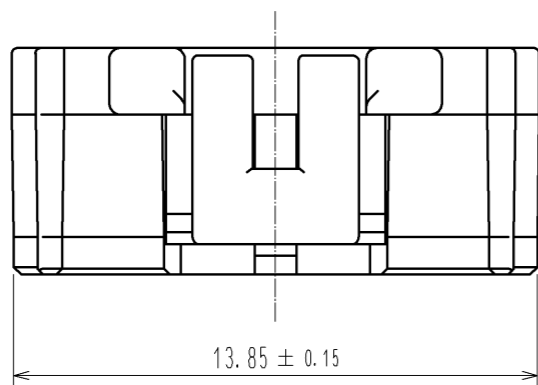
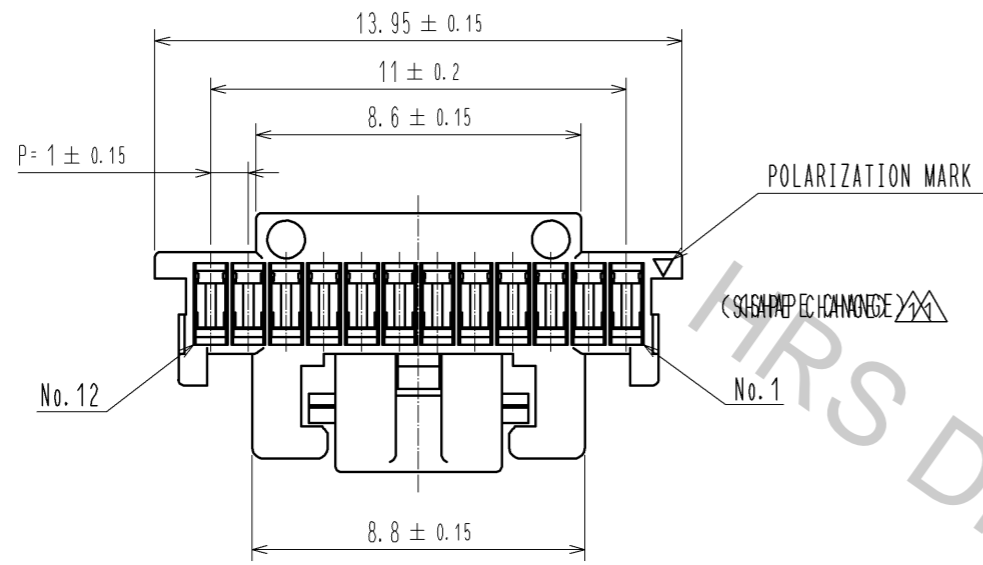


Apr.1.2017 Copyright 2017 HIROSE ELECTRIC CO., LTD. All Rights Reserved.



NOTE1. PER PACK:100 PIECES

NO.		MATERIAL		FINISH . REMARKS		1		PBT		UL94V-0. BLACK	
UNITS		SCALE		COUNT		DESCRIPTION OF REVISIONS		DESIGNED		CHECKED	
mm		5 : 1		1		DIS-H-005903		KT. ISHII		OM. MIYAMOTO	
APPROVED		KI. AKIYAMA		10.12.14		DRAWING NO.		EDC3-329676-00			
CHECKED		OM. MIYAMOTO		10.12.14		PART NO.		DF50A-12S-1C			
DESIGNED		TT. OHSAKO		10.12.14		CODE NO.		CL665-1022-3-00			
DRAWN		TT. OHSAKO		10.12.14							