

H distributor - QPD H 3PE2,5 BK - 1582154

Please be informed that the data shown in this PDF Document is generated from our Online Catalog. Please find the complete data in the user's documentation. Our General Terms of Use for Downloads are valid (<http://download.phoenixcontact.com>)

QUICKON H-distributor, black, 3 pos. +PE, 1.0 mm² ... 2.5 mm² / 630 V / 20 A, without QUICKON nut



Product Features

- ✓ Innovative and time saving - QUICKON fast connection for time saving of up to 80% for on-site connection
- ✓ Convenient: quick and easy assembly without special tools
- ✓ Robust throughout: housing with IP68/IP69K and IK07 protection for a wide range of applications
- ✓ Safer connection thanks to polarization against mismatching and touch-proof protection according to DIN EN 0105
- ✓ Flexible and compact - by connecting connections internally, H and T-distributors can be used to branch master cables or they can be used as star distributors



Key commercial data

Packing unit	1 PCE
Weight per Piece (excluding packing)	82.1 GRM
Custom tariff number	85366990
Country of origin	Germany

Technical data

General

Design	H-distributor
Color	black
Locking type	Screw locking
Connection method	QUICKON connection
	IDC connection
Number of positions	4
Note number of positions	3+PE
Wrench size, union nut	22 mm
Tightening torque, union nut	5 Nm

H distributor - QPD H 3PE2,5 BK - 1582154

Technical data

General

Number of connections	4
Conductor cross section stranded min.	1 mm ²
Conductor cross section stranded max.	2.5 mm ²
Conductor cross section solid min.	1 mm ²
Conductor cross section solid max.	2.5 mm ²
Conductor cross section AWG/kcmil min.	16
Conductor cross section AWG/kcmil max	14

Conductor

Structure of individual litz in acc. with VDE 0295 / smallest wire diameter	VDE 0295 class 1 to 6 / min. 0.15 mm
Wire insulation material	PVC/PE/TPE/rubber
Wire diameter including insulation	2.5 mm ... 3.8 mm
External cable diameter	(Order Quickon nuts or Quickon connectors separately)

Ambient conditions

Degree of protection	IP68 (2 m / 24 h)
	IP69K
Ambient temperature (operation)	-40 °C ... 80 °C (See also derating-diagram)
Ambient temperature (storage/transport)	-40 °C ... 80 °C
Temperature when conductor connected	-5 °C ... 50 °C

Electrical characteristics

Nominal current I _N	20 A
Rated current	20 A (See also derating-diagram)
Rated voltage (III/3)	690 V
Rated voltage (III/2)	1000 V
Rated voltage (II/2)	1000 V
Rated surge voltage (III/3)	6 kV
Rated surge voltage (III/2)	8 kV
Rated surge voltage (II/2)	8 kV

Mechanical characteristics

QUICKON connectability	max. 10
Insertion/withdrawal cycles	50 (Quickon connections max. 10)

Material data

Contact material	Cu
Contact surface material	Silver-plated
Contact carrier material	PA
Insulating material	PA

H distributor - QPD H 3PE2,5 BK - 1582154

Technical data

Material data

Inflammability class according to UL 94	V0
Surge voltage category	III
Pollution degree	3

Classifications

eCl@ss

eCl@ss 4.0	272607xx
eCl@ss 4.1	27260701
eCl@ss 5.0	27143424
eCl@ss 5.1	27143424
eCl@ss 6.0	27143424
eCl@ss 7.0	27440209
eCl@ss 8.0	27440209

ETIM

ETIM 3.0	EC001121
ETIM 4.0	EC002635
ETIM 5.0	EC002635

UNSPSC

UNSPSC 6.01	30211923
UNSPSC 7.0901	39121522
UNSPSC 11	39121522
UNSPSC 12.01	39121522
UNSPSC 13.2	39121522

Approvals

Approvals

Approvals

VDE Zeichengenehmigung / UL Listed / cUL Listed / GOST / cULus Listed

Ex Approvals

H distributor - QPD H 3PE2,5 BK - 1582154

Approvals

Approvals submitted

Approval details

VDE Zeichengenehmigung	
mm ² /AWG/kcmil	1.5-2.5
Nominal current I _N	20 A
Nominal voltage U _N	690 V

UL Listed	
mm ² /AWG/kcmil	16
Nominal current I _N	10 A
Nominal voltage U _N	600 V

cUL Listed	
mm ² /AWG/kcmil	16
Nominal current I _N	10 A
Nominal voltage U _N	600 V

GOST	
------	--

cULus Listed	
--------------	--

Accessories

Accessories

H distributor - QPD H 3PE2,5 BK - 1582154

Accessories

Coding element

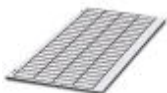
Coding profile - CP-QPD - 1582459



Coding profile red, for pushing into the QUICKON dome and connector, can be positioned in 90° steps.

Device marking

Engraving material - GPE 13X 9 WH - 0806932



Engraving material, Sheet, white, Unlabeled, Can be labeled with: Engraving, Plotter, Mounting type: Adhesive, Lettering field: 13 x 9 mm

Installation connector

Connector - QPD P 3PE2,5 6-10 BK - 1582202



QUICKON-connector, black, 3+PE-pos., 1.0 mm² ... 2.5 mm²/630 V/20 A, with QUICKON nut, for cables with a diameter of 6 mm ... 10 mm.

Connector - QPD P 3PE2,5 9-14 BK - 1582205



QUICKON connector, black, 3+PE-pos., 1.0 mm² ... 2.5 mm²/630 V/20 A, with QUICKON nut, for cables with a diameter of 9 mm ... 14 mm.

Mounting material

H distributor - QPD H 3PE2,5 BK - 1582154

Accessories

Assembly clip - QPD CLIP 2,5 BK - 1582235



Holding clip for Quickon-H distributor, for snapping on and removal without tools.

Protective cap

Protective cap - QPD QSK 2,5 FS - 1582488

Plastic protective cap, for QPD-QUICKON connectors, green, with holding band, IP68



Socket spanner

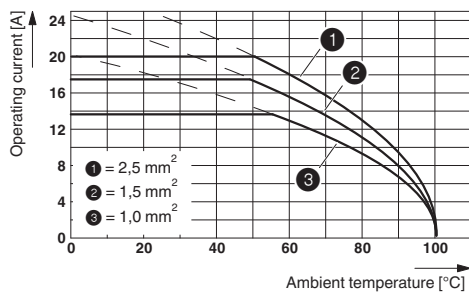
Socket wrench - QSS 22 - 1670206



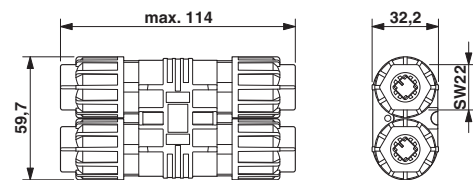
Allen wrench, for loosening and fastening the QUICKON union nut, WAF 22 mm

Drawings

Diagram



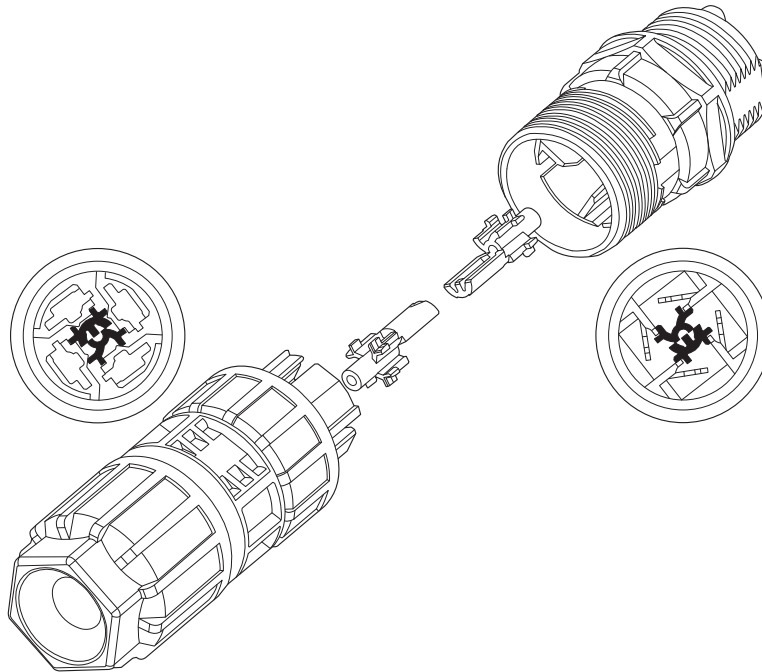
Dimensioned drawing



Dimensional drawing

H distributor - QPD H 3PE2,5 BK - 1582154

Schematic diagram



Coding of the QUICKON plug-in connection