

THIS DRAWING IS UNPUBLISHED.

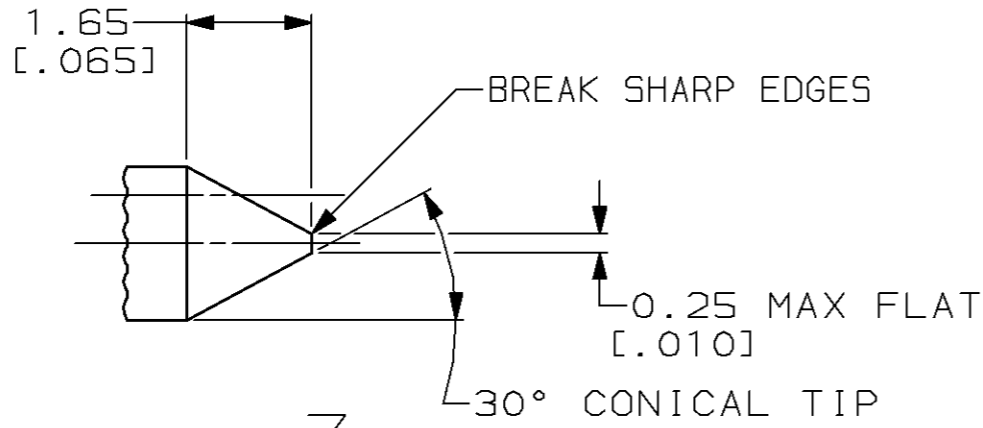
RELEASED FOR PUBLICATION

,19 .

© COPYRIGHT 19

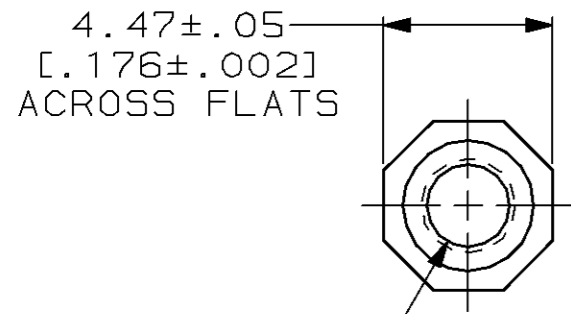
BY AMP INCORPORATED. ALL RIGHTS RESERVED.

LOC	DIST	REVISIONS			
P	LTR	DESCRIPTION	DATE	DWN	APVD
AD	25	D	REDRAWN & REVISED PER 0410-0144-96	11-19-96	TS WM

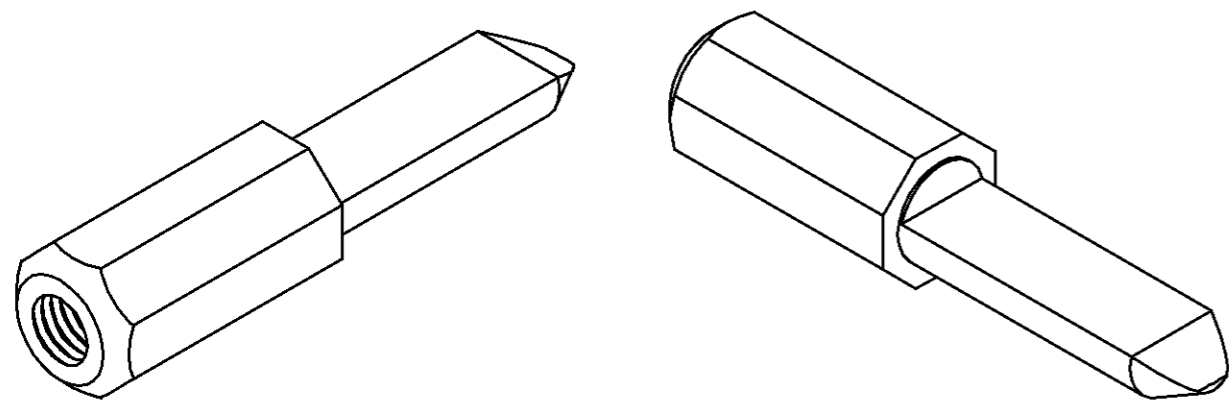
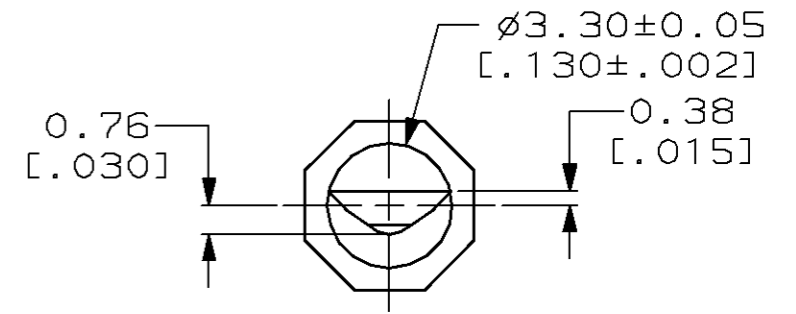
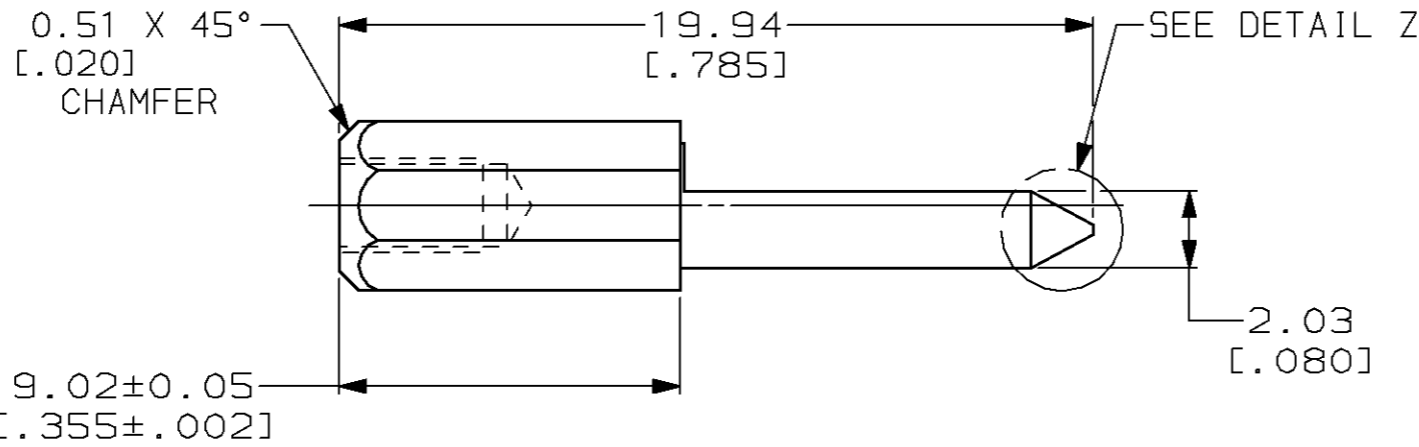


DETAIL Z
SCALE 10:1

- 1 MATERIAL: STAINLESS STEEL.
- 2 FINISH: PASSIVATED



#2-56 UNC-2B
X 3.8 DEEP
[.15]



535839-2
PART NUMBER

THIS DRAWING IS A CONTROLLED DOCUMENT.		DWN T. SHUEY 11-19-96	AMP AMP Incorporated Harrisburg, PA 17105-3608
		CHK W. MILLHIMES 11-20-96	
DIMENSIONS: mm [INCHES]		APVD W. MILLHIMES 11-20-96	NAME
TOLERANCES UNLESS OTHERWISE SPECIFIED:		PRODUCT SPEC	POLARIZING PIN, TBC PLUS
0 PLC ± _____		APPLICATION SPEC	SIZE
1 PLC ± _____		WEIGHT	CAGE CODE
2 PLC ± 3.8 [.02]		CUSTOMER DRAWING	DRAWING NO
3 PLC ± 0.13 [.005]			A3 00779 C-535839
4 PLC ± _____			SCALE
ANGLES ± _____			5:1
MATERIAL	FINISH		SHEET
1	2		1 OF 1
			REV
			D