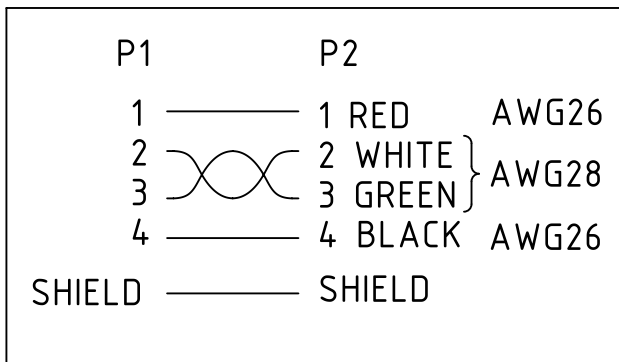
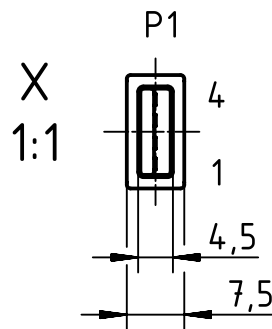


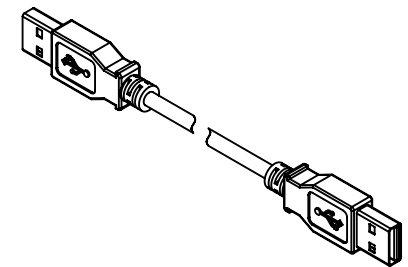
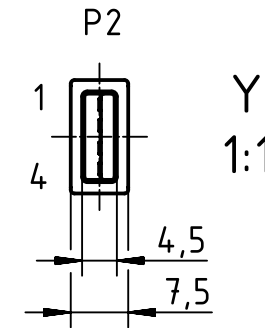
circuit diagram



USB A-M



USB A-M



	All rights reserved Department EL PD - DE HARTING Electric GmbH & Co. KG D-32339 Espelkamp	All Dimensions in mm Original Size DIN A4		Scale 1:2	Free size tol.	Ref. Sub.
		Created by FINKEV	Inspected by BERGHORN	Standardisation RUETERA	Date 2014-12-09	State Final Release
Title Cable USB,m-m; 5 m						Doc-Key / ECM-Nr. 100093431/UGD/003/A 500000082786
Type TB				Number 39 50 903 0051		Rev. A
						Page 1/1