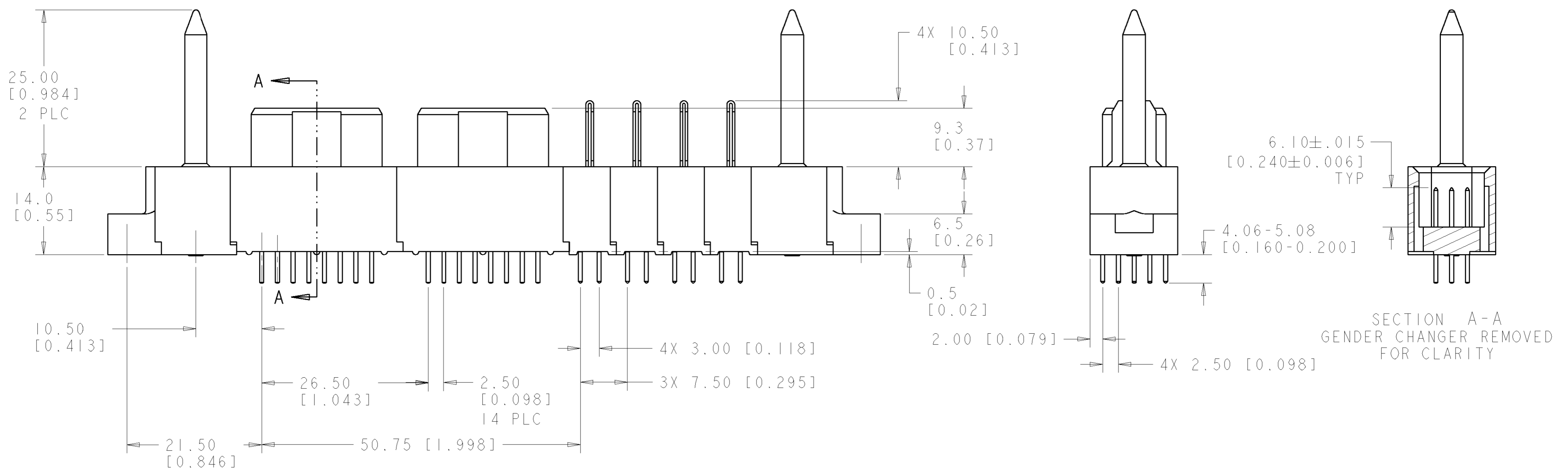
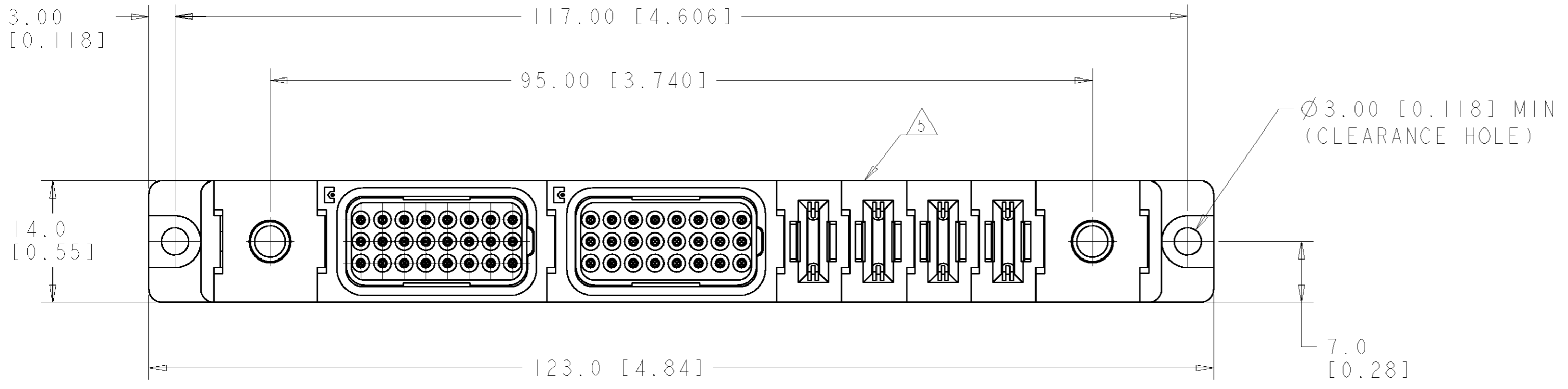


THIS DRAWING IS UNPUBLISHED. RELEASED FOR PUBLICATION 20
 © COPYRIGHT 20 BY TYCO ELECTRONICS CORPORATION. ALL RIGHTS RESERVED.

| LOC | DIST | REVISIONS | | | |
|-----|------|-------------|----------|-----------|-------|
| P | LTR | DESCRIPTION | DATE | DWN | APVD |
| GP | 00 | A | RELEASED | 12JAN2007 | RG PD |



ELCON FLATPAQ

| | |
|-------------|-------------|
| AS SHOWN | 1926233-1 |
| DESCRIPTION | PART NUMBER |

| | | |
|---|-------------------|----------------------------|
| THIS DRAWING IS A CONTROLLED DOCUMENT FOR TYCO ELECTRONICS CORPORATION. IT IS SUBJECT TO CHANGE AND THE CONTROLLING ENGINEERING ORGANIZATION SHOULD BE CONTACTED FOR THE LATEST REVISION. | | DWN R. GRZYBOWSKI 03OCT06 |
| DIMENSIONS: mm [INCHES] | | CHK P. DAMATO 03OCT06 |
| TOLERANCES UNLESS OTHERWISE SPECIFIED: | | APVD S. FLICKINGER 03OCT06 |
| 0 PLC ± | 1 PLC ±0.3 [0.01] | PRODUCT SPEC - |
| 2 PLC ±0.15 [0.005] | 3 PLC ±0.001 | APPLICATION SPEC - |
| 4 PLC ±0.0001 | ANGLES ±5 | WEIGHT - |
| MATERIAL - | FINISH - | CUSTOMER DRAWING |

| | | | |
|--|-----------|---------------------------|---------------|
| Tyco Electronics | | Harrisburg, PA 17105-3608 | |
| NAME STRAIGHT SOCKET/PIN CONNECTOR, SOLDER TAILS | | | |
| SIZE | CAGE CODE | DRAWING NO | RESTRICTED TO |
| A2 | 00779 | 1926233 | - |
| SCALE 3:1 | SHEET 1 | OF 3 | REV A |

THIS DRAWING IS UNPUBLISHED. RELEASED FOR PUBLICATION 20
 © COPYRIGHT 20 BY TYCO ELECTRONICS CORPORATION. ALL RIGHTS RESERVED.

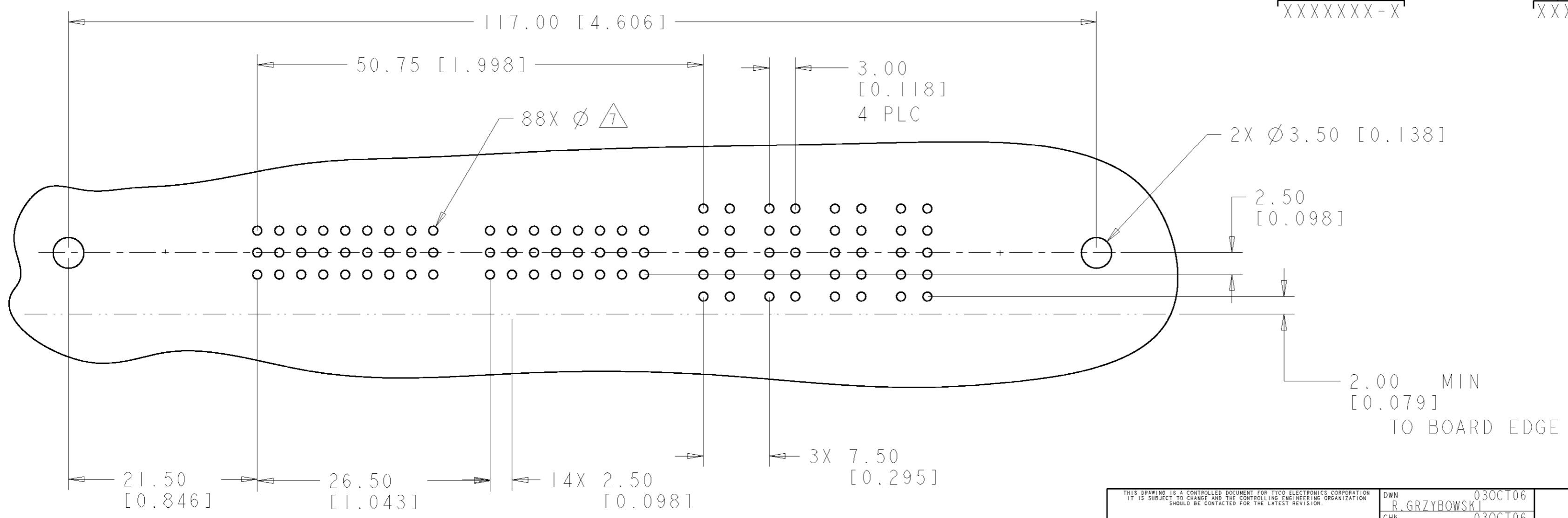
| LOC | DIST | REVISIONS | | | | | |
|-----|------|-----------|-----|-------------|------|-----|------|
| GP | 00 | P | LTR | DESCRIPTION | DATE | DWN | APVD |
| | | - | | SEE SHEET 1 | - | - | - |
| | | | | | | | |
| | | | | | | | |

- PART NUMBER CHANGES AND OR DESIGN CHANGES AFFECTING ITEM INTERCHANGEABILITY REQUIRE PRIOR TYCO APPROVAL AND AUTHORIZATION BY REVISION TO THIS DRAWING.
- MATERIAL:
 - INSULATORS - THERMOPLASTIC, GLASS REINFORCED, COLOR: BLACK UL94V-0 FLAMMABILITY RATED.
 - POWER CONTACTS - PHOSPHOR BRONZE ALLOY, COPPER ALLOY
 - SOLDER SIGNAL PINS-BRASS ALLOY
 - CROWN BAND-BERYLLIUM COPPER ALLOY
 - GUIDE PIN-BRASS COPPER ALLOY
- FINISH:
 - CONTACTS - GOLD PLATE .000030" MIN. THK., OVER NICKEL .000050" MIN. THK
 - SOLDER TAILS, TIN .000120" MIN. THK. OVER NICKEL .000050" MIN THK.
 - GUIDE PIN - NICKEL .000050" MIN THK.

△ ITEMS PROVIDED TO THIS SPECIFICATION TO BE PERMANENTLY IDENTIFIED PER THE FOLLOWING IDENTIFIER LABEL

TYCO PART NO. XXXXXXXX-X DATE CODE (e.g. 0106) XXXX

YEAR WEEK



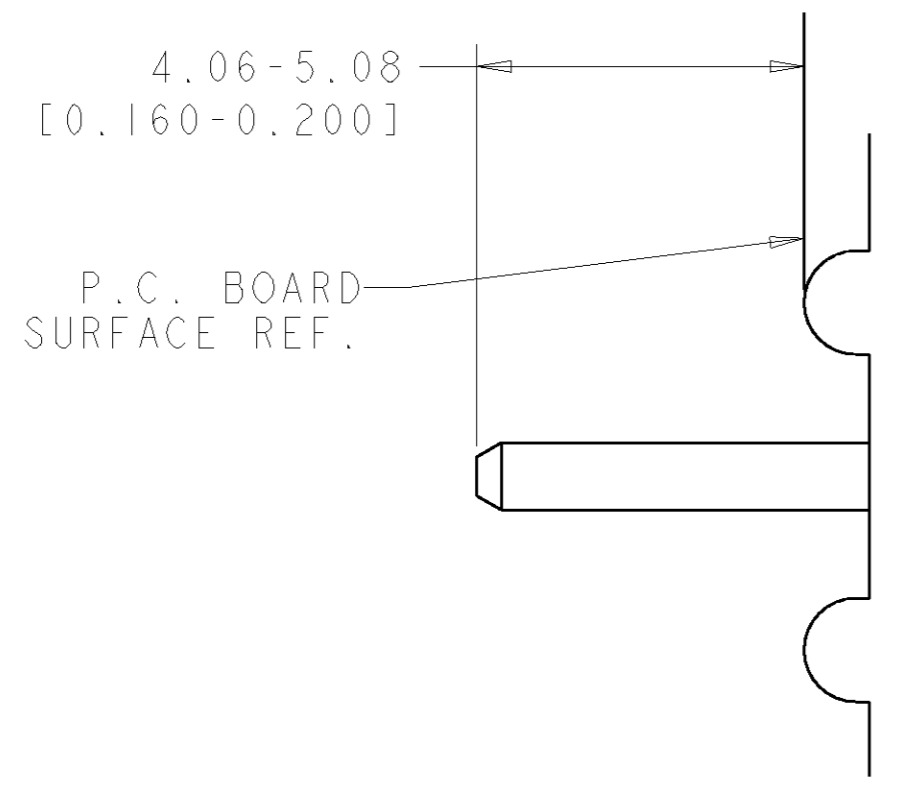
PRINTED CIRCUIT LAYOUT
 COMPONENT SIDE

ELCON FLATPAQ

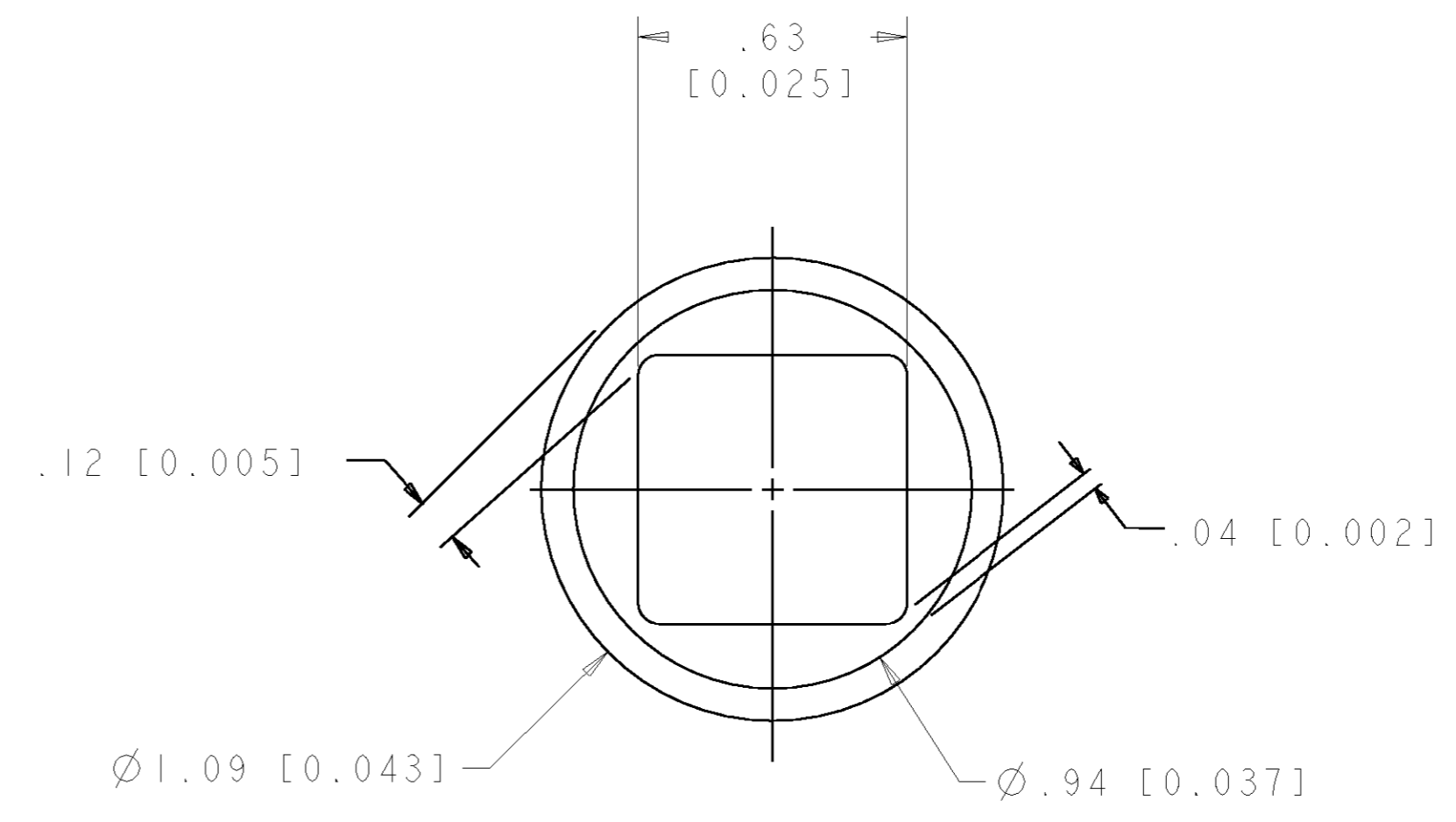
| | | | | |
|---|--|----------------------------|--|--|
| THIS DRAWING IS A CONTROLLED DOCUMENT FOR TYCO ELECTRONICS CORPORATION. IT IS SUBJECT TO CHANGE AND THE CONTROLLING ENGINEERING ORGANIZATION SHOULD BE CONTACTED FOR THE LATEST REVISION. | | DWN R. GRZYBOWSKI 03OCT06 | tyco Tyco Electronics Harrisburg, PA 17105-3608 | |
| DIMENSIONS: mm [INCHES] | | CHK P. DAMATO 03OCT06 | NAME STRAIGHT SOCKET/PIN CONNECTOR, SOLDER TAILS | |
| TOLERANCES UNLESS OTHERWISE SPECIFIED: | | APVD S. FLICKINGER 03OCT06 | SIZE CAGE CODE DRAWING NO RESTRICTED TO | |
| 0 PLC ± | | PRODUCT SPEC - | A200779C-1926233 - | |
| 1 PLC ±0.3 [0.01] | | APPLICATION SPEC - | SCALE 3:1 SHEET 2 OF 3 REV A | |
| 2 PLC ±0.15 [0.005] | | WEIGHT - | | |
| 3 PLC ±0.001 | | CUSTOMER DRAWING | | |
| 4 PLC ±0.0001 | | | | |
| ANGLES ±.5 | | | | |
| FINISH - | | | | |

THIS DRAWING IS UNPUBLISHED. RELEASED FOR PUBLICATION 20
 © COPYRIGHT 20 BY TYCO ELECTRONICS CORPORATION. ALL RIGHTS RESERVED.

| LOC | DIST | REVISIONS | | | |
|-----|------|-------------|------|-----|------|
| P | LTR | DESCRIPTION | DATE | DWN | APVD |
| GP | 00 | - | - | - | - |
| | | SEE SHEET 1 | | | |



5. SOLDER PIN DETAIL
SCALE 10 : 1



△ SOLDER TERMINATION AREA
SCALE 40:1
 RECOMMENDED PRINTED CIRCUIT SOLDER HOLE
 FINISHED HOLE: Ø1.02 [0.040] ±.08 [0.003]
 DRILLED HOLE: Ø1.15 [0.0453] ±.013 [0.0005]
 COPPER PLATE: .025 [0.0010] MIN
 TIN PLATE: .008 [0.0003] MIN. (PER SURFACE)

| CONNECTOR | CATALOG MODULE # | QTY | SIZE NO. | CONTACT QTY | MATING PIN | MAX. CURRENT (PER CONTACT) | CONTACT SPACING | VOLTAGE RATING |
|----------------|------------------|-----|-----------------------|-------------|------------------------------|----------------------------|-----------------|----------------|
| SOCKET/ PIN | FP161 | 4 | 8 | 4 | 1.25 X 7.00 [.049 X .276] | 35 amps | 7.50 [.2953] | 250 VOLTS |
| | FP318 | 2 | 22 | 48 | .64 [.025] SQ. | 3 amps | 2.50 [.0984] | 125 VOLTS |
| | FP500 | 1 | LEFT MOUNTING FLANGE | | | | | |
| | FP501 | 1 | RIGHT MOUNTING FLANGE | | | | | |
| | FP503 | 2 | STRAIGHT GUIDE PIN | | | | | |

THIS DRAWING IS A CONTROLLED DOCUMENT FOR TYCO ELECTRONICS CORPORATION. IT IS SUBJECT TO CHANGE AND THE CONTROLLING ENGINEERING ORGANIZATION SHOULD BE CONTACTED FOR THE LATEST REVISION.

DWN: R. GRZYBOWSKI 03OCT06
 CHK: P. DAMATO 03OCT06
 APVD: S. FLICKINGER 03OCT06

tyco Tyco Electronics
 Harrisburg, PA 17105-3608

NAME: STRAIGHT SOCKET/PIN CONNECTOR, SOLDER TAILS

SIZE: A2 CAGE CODE: 00779 DRAWING NO: 1926233 RESTRICTED TO: -

SCALE: 3:1 SHEET: 3 OF 3 REV: A

CUSTOMER DRAWING

ELCON **FLATPAQ**