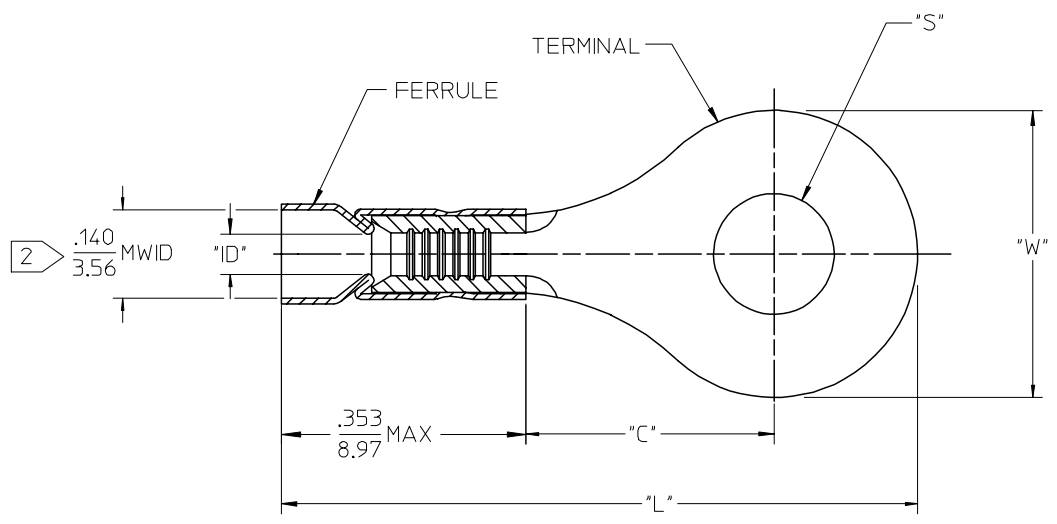


MATERIAL NUMBER	ENGINEERING NUMBER	STUD SIZE	"S" ±.005/±0.13	STOCK THICKNESS REF	"W" ±.010/0.25	"C" MIN	"L" MAX	"ID" MIN
190720019	AA-422-10	10	.198/3.02	.028/0.71	.467/11.86	.386/9.81	1.008/25.60	.062/1.57
190720021	AA-422-14	14	.265/6.73					
190720023	AA-422-56	56	.328/8.33					
190720032	AA-432-04	04	.119/3.02					
190720034	AA-432-06	06	.146/3.71					
190720036	AA-432-08	08	.173/4.39					



NOTES:
 1. MATERIAL: TERMINAL: COPPER
 FUNNEL FERRULE: BRASS
 PLATING: ELECTRO TIN.

2. MWD = MAXIMUM WIRE INSULATION.

SALES DRAWING

WAS A PART OF AA-CD-401-01 EC NO: ETC2005-0035 DRWN: BENDERLE 2004/08/24 CHKD: R DEROSS 2004/08/24 APPR: RDEROSS 2004/08/24	QUALITY SYMBOLS	GENERAL TOLERANCES (UNLESS SPECIFIED)		SCALE NONE	DESIGN UNITS INCH	THIRD ANGLE PROJECTION	REVISE ON CAD ONLY	
	DESCRIPTION ▼ = 0 ▽ = 0	mm	INCH	DIMENSION STYLE IN/MM		TITLE		
		4 PLACES	± ---	± ---	DRAWN BY	DATE	RING TONGUE TERMINAL	
		3 PLACES	± ---	± ---	BENDERLE	2004/08/18	VIBRAKRIMP	
2 PLACES	± ---	± ---	1 PLACE	± ---	± ---	22-18 AWG		
ANGULAR ±1/2°	DRAFT WHERE APPLICABLE		CHECKED BY	DATE	MOLEX INCORPORATED			
MUST REMAIN WITHIN DIMENSIONS	THIS DRAWING CONTAINS INFORMATION THAT IS PROPRIETARY TO MOLEX INCORPORATED AND SHOULD NOT BE USED WITHOUT WRITTEN PERMISSION		R DEROSS	2004/08/18	MATERIAL NO.	DOCUMENT NO.	SHEET NO.	
			R DEROSS	2004/08/18	SEE CHART	SD-19072-002	1 OF 1	