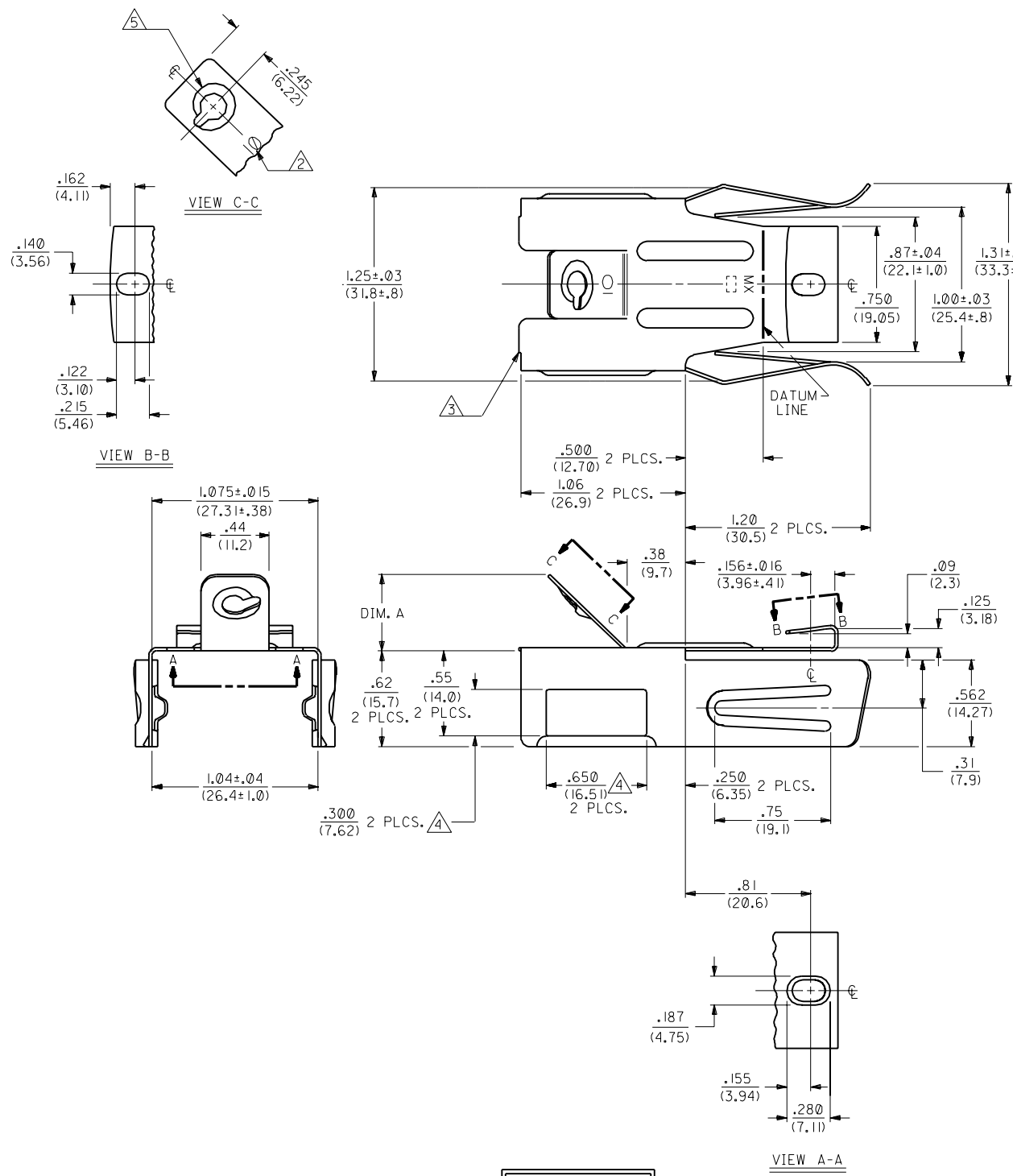


NOTES:

- 1. THESE MOUNTING CLIPS ARE FOR HOLDING THE 2481 SERIES HOUSINGS TO THE MAIN PANEL TOPS OF ELECTRIC RANGES.
- △ SCREW SIZE INDICATION.
- ③ .015/(.38) MAXIMUM CUT OFF.
- ④ .010/(.25) MAXIMUM MISMATCH.
- ⑤ THREAD FORM FOR A #10-32 SCREW.
- ⑥ THIS SURFACE MAY BE FORMED IN THIS DIRECTION A MAXIMUM OF 5°.



2589-ID-10

MATERIAL:

STEEL, STAINLESS, TYPE 301, .020/(.5) THICK.

3	AB			
2	Z			
1	AC	X		
MFG. SH.	REV.	LTR.	REVISIONS	

DIMENSIONS SHOWN (METRIC) INCH	
UNLESS OTHERWISE SPECIFIED TOLERANCES ANGULAR ± DMS 5°	
3 PLACE ± .010	---
2 PLACE ± .014	± 0.25
1 PLACE ---	± 0.35
DRAFT WHERE APPLICABLE MUST REMAIN WITHIN DIMENSIONS	
DRWG. BY RHR	CHK'D. BY ESS
APP'D. BY RAS	SCALE 2: 1

▽ = 0 ▼ = 0 **REVISE ONLY ON CAD SYSTEM**

TITLE: MOUNTING CLIP

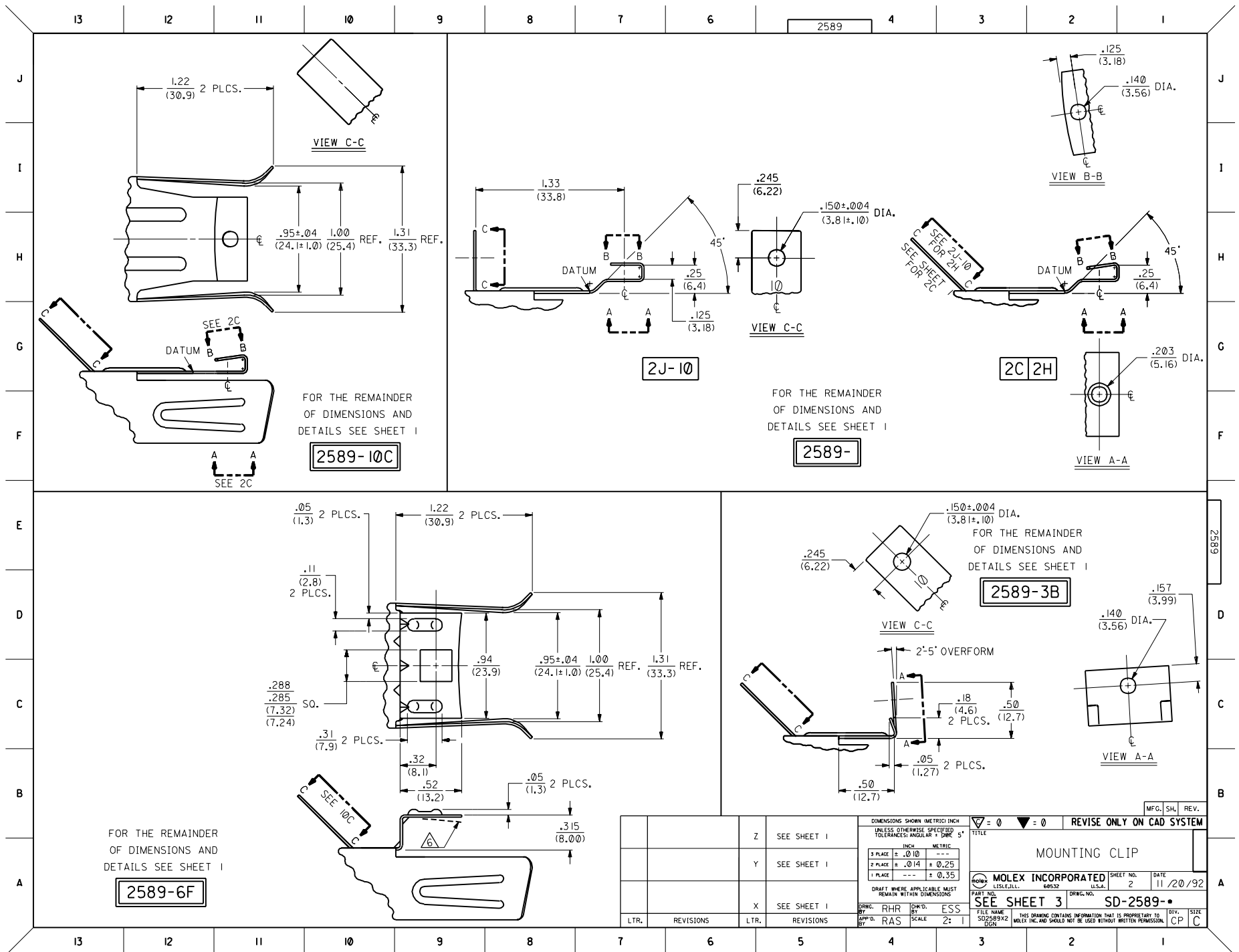
MOLEX INCORPORATED
1151E, ILL. 60532 U.S.A.

PART NO. SD2589X1
DRWG. NO. SD-2589-*

SEE SHEET 3

DATE: 11/20/92

THIS DRAWING CONTAINS INFORMATION THAT IS PROPRIETARY TO MOLEX INC. AND SHOULD NOT BE USED WITHOUT WRITTEN PERMISSION.



FOR THE REMAINDER
OF DIMENSIONS AND
DETAILS SEE SHEET I

2589-10C

2J-10

FOR THE REMAINDER
OF DIMENSIONS AND
DETAILS SEE SHEET I

2589-

2C 2H

FOR THE REMAINDER
OF DIMENSIONS AND
DETAILS SEE SHEET I

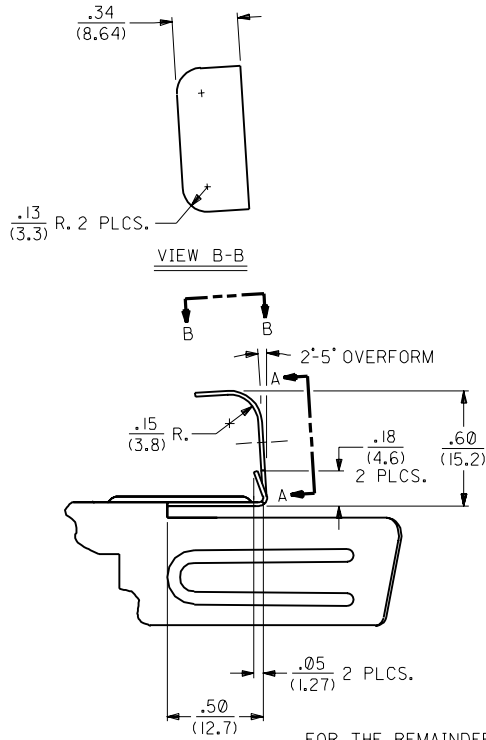
2589-3B

FOR THE REMAINDER
OF DIMENSIONS AND
DETAILS SEE SHEET I

2589-6F

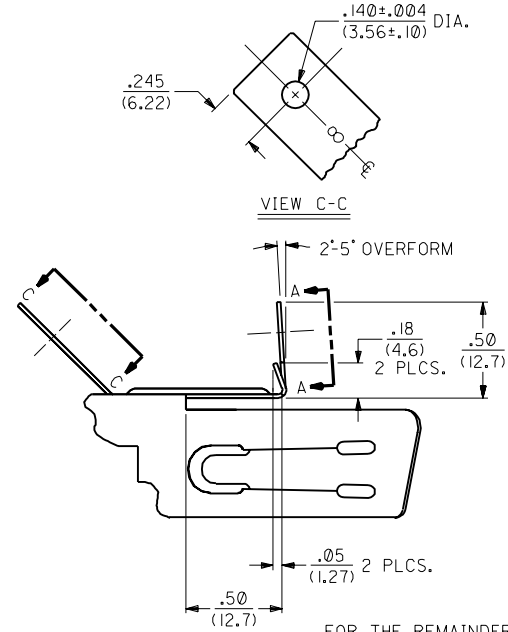
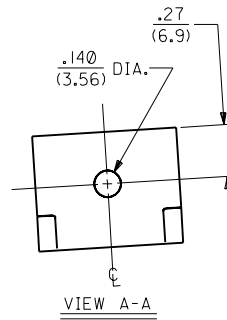
DIMENSIONS SHOWN (METRIC) INCH UNLESS OTHERWISE SPECIFIED TOLERANCES: ANGULAR ± .005°		▽ = 0 ▼ = 0 REVISE ONLY ON CAD SYSTEM	
INCH METRIC		TITLE	
3 PLACE ± .010	---	MOUNTING CLIP	
2 PLACE ± .014	± 0.25	MOLEX INCORPORATED SHEET NO. 2 DATE 11/20/92	
1 PLACE ---	± 0.35	LITTLE, JILL U.S.A. 69532	
DRAFT WHERE APPLICABLE MUST REMAIN WITHIN DIMENSIONS		PART NO. DRWG. NO.	
DRWG. BY: RHR CHK'D. BY: ESS		SEE SHEET 3 SD-2589-*	
APP'D. BY: RAS SCALE: 2:1		FILE NAME: SD2589X2 THIS DRAWING CONTAINS INFORMATION THAT IS PROPRIETARY TO MOLEX INC. AND SHOULD NOT BE USED WITHOUT WRITTEN PERMISSION.	
LTR. REVISIONS	LTR. REVISIONS	DWN. SIZE	

PART NO.	ENG. NO.	DIMENSION	
		A	
089-00-2006	2589-ID-10	.48±.025 (12.2±.64)	
089-00-2022	2589-2C	.53±.025 (13.5±.64)	
089-00-2025	2589-2H	.656±.025 (16.66±.64)	
089-00-2027	2589-2J-10	.562±.025 (14.27±.64)	
089-00-2041	2589-3B	.48±.025 (12.2±.64)	
089-00-2047	2589-6F	.375±.015 (9.53±.38)	
089-00-2100	2589-10C	.48±.025 (12.2±.64)	
089-00-2101	2589-21A	.62±.025 (15.7±.64)	OBSOLETE
089-00-2103	2589-23	.62±.025 (15.7±.64)	



FOR THE REMAINDER
OF DIMENSIONS AND
DETAILS SEE SHEET I

2589-23



FOR THE REMAINDER
OF DIMENSIONS AND
DETAILS SEE SHEET I

2589-21A **OBSOLETE**

LTR.		REVISIONS		LTR.		REVISIONS	
		AA	SEE SHEET I				
		Z	SEE SHEET I				
AB	SEE SHEET I	X	SEE SHEET I				

DIMENSIONS SHOWN (METRIC) INCH UNLESS OTHERWISE SPECIFIED TOLERANCES: ANGULAR ± 5°		▽ = 0 ▼ = 0		REVISE ONLY ON CAD SYSTEM	
INCH METRIC		TITLE			
3 PLACE ± .010	---	MOUNTING CLIP			
2 PLACE ± .014 ± 0.25	---	MOLEX INCORPORATED SHEET NO. DATE U.S.A. 3 2/24/93			
1 PLACE --- ± 0.35	---	PART NO. DRWG. NO. SEE CHART SD-2589-*			
DRAFT WHERE APPLICABLE MUST REMAIN WITHIN DIMENSIONS		FILE NAME SD2589X3			
DRWG. BY RHR	CHK'D. BY ESS	THIS DRAWING CONTAINS INFORMATION THAT IS PROPRIETARY TO MOLEX INC. AND SHOULD NOT BE USED WITHOUT WRITTEN PERMISSION.			
APP'D. BY RAS	SCALE 2: 1	MFG. SH. REV.		DIV. SIZE CP C	