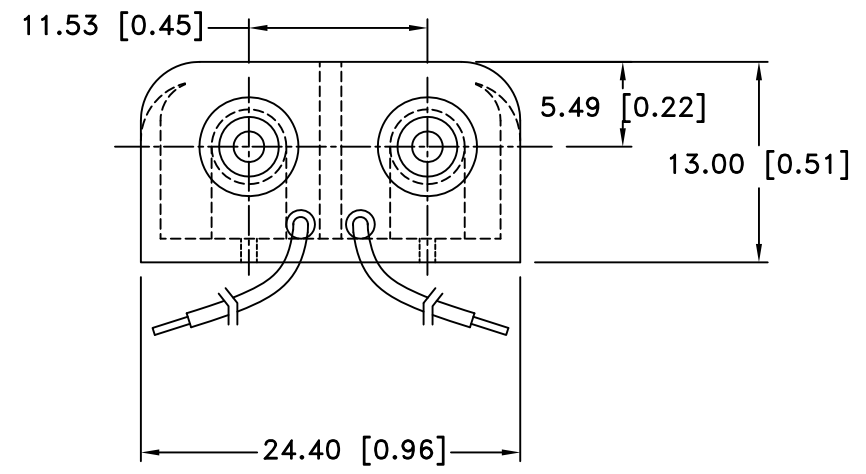
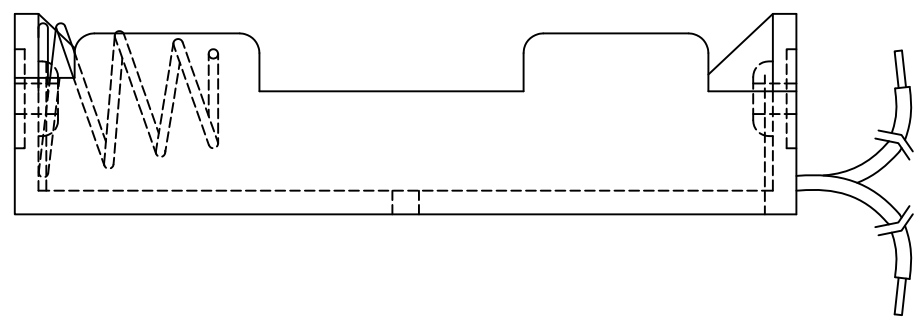
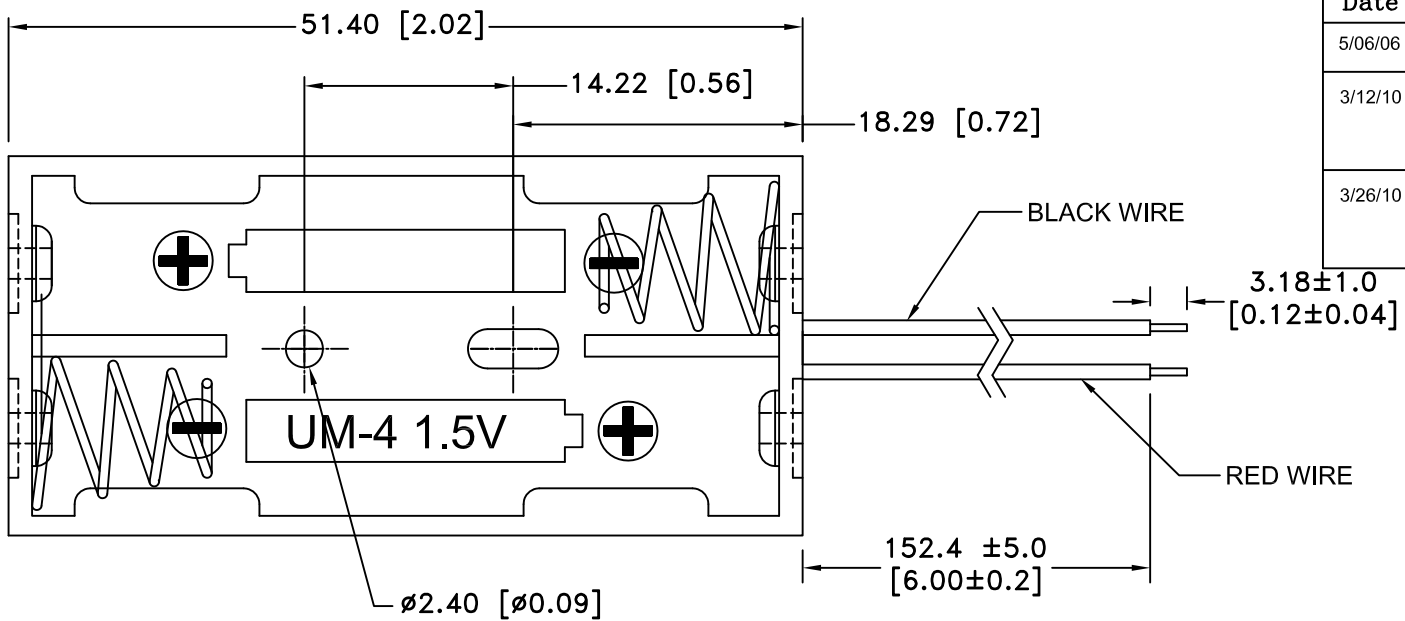


Date	SYM	REVISION RECORD	AUTH	DR.	CK.
5/06/06	C	ADDED CONTACT RESI. INFO.	T.B.	B.S.	
3/12/10	D	DIM. 51.56 WAS 51.31 DIM. 14.22 WAS 13.49 DIM. 18.29 WAS 18.71	T.B.	B.S.	
3/26/10	E	DIM. 51.40 WAS 51.56 DIM. Ø2.40 WAS Ø2.49 DIM. 24.40 WAS 24.51 DIM. 13.00 WAS 12.95	T.B.	B.S.	




NOTES:

1. MATERIAL:

- HOUSING : BLACK POLYPROPYLENE
- FLAMMABILITY RATING -UL94-HB, UL FILE NO. E216959
- TEMPERATURE RANGE: -10°C to +100°C
- RIVETS: BRASS, NICKLE PLTD.
- SPRING: SPRING STEEL, NICKLE PLTD.
- WIRE: 26 AWG, UL1007, CSA, TR64
- CONTACT RESISTANCE: UNDER 50mΩ FOR +/- CONTACTS PER EIA-540J000

ROHS COMPLIANT

Tolerance (Except as noted)	 Memory Protection Devices, Inc 200 Broad Hollow Road, Farmingdale, New York 11735	Scale	Drawn By B.S.
			Approved By T.B.
decimal ±.5 (.020)	Title TWO "AAA" CELL HOLDER	Date 3/26/10	
Fractional ± .8 (.030)		Drawing Number BC2AAAW	
Angular ± 3°			