

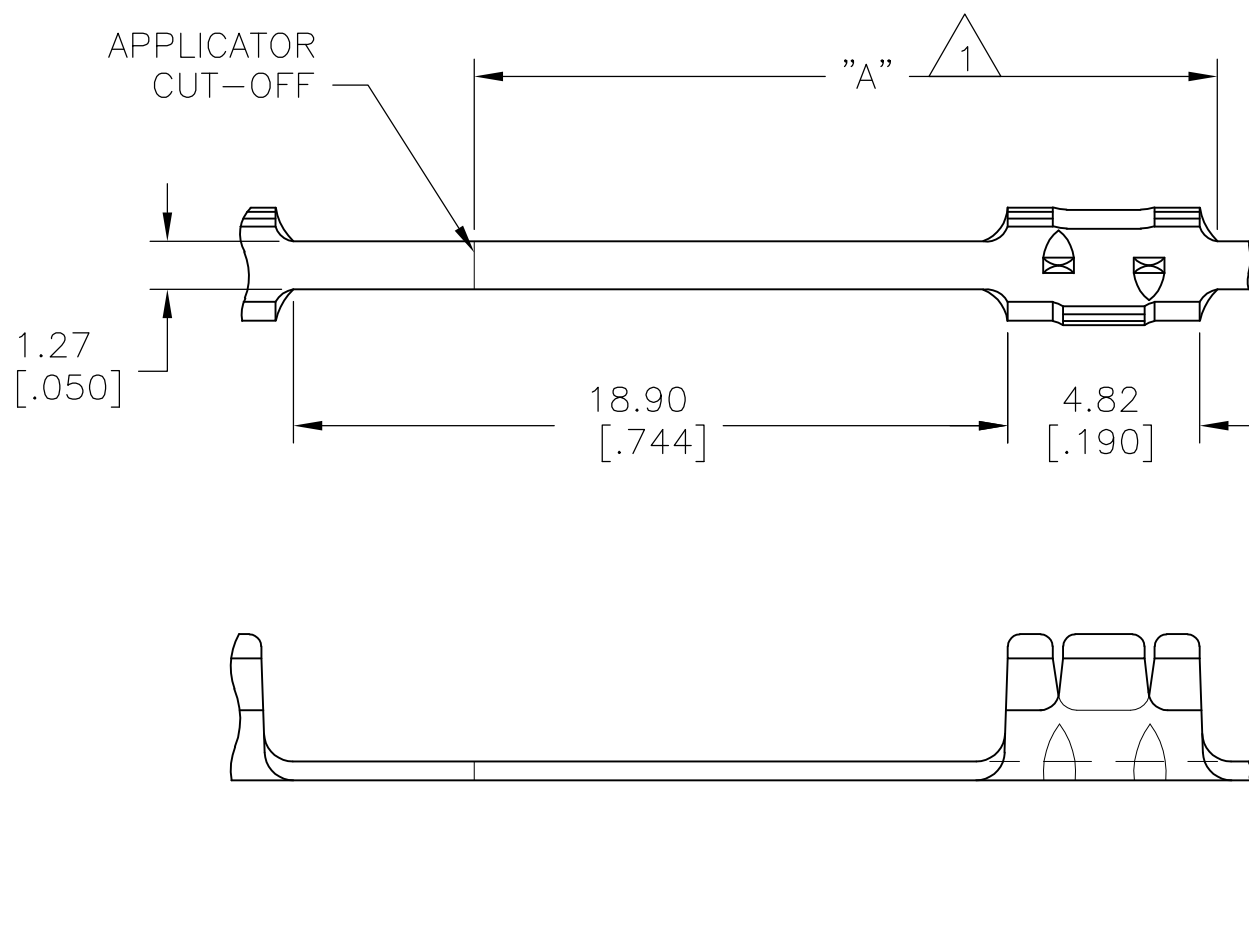
THIS DRAWING IS UNPUBLISHED. RELEASED FOR PUBLICATION
 © COPYRIGHT BY TYCO ELECTRONICS CORPORATION. ALL INTERNATIONAL RIGHTS RESERVED.

LOC	DIST	REVISIONS			
P	LTR	DESCRIPTION	DATE	DWN	APVD
	A1	REVISED PER ECO-09-022244	08OCT09	HMR	MS

1 USE SLUG BLADE IN APPLICATOR AS FOLLOWS:

"A"	SLUG BLADE
14.68[.578]	9.19[.362]
21.90[.862]	1.98[.078]

- 2 WIRE SIZE 20-18 A.W.G.
- 3 INSULATION RANGE: .065-.080



61248-1
PART NO

THIS DRAWING IS A CONTROLLED DOCUMENT.		DWN RAGHAVENDRA 08OCT09	Tyco Electronics Corporation Harrisburg, PA 17105-3608	
DIMENSIONS: mm [INCHES]	TOLERANCES UNLESS OTHERWISE SPECIFIED:	CHK M STRECKEWALD 08OCT09	NAME	
	0 PLC ± -	APVD M STRECKEWALD 08OCT09	PRODUCT SPEC	
	1 PLC ± -		APPLICATION SPEC	
	2 PLC ± -		SIZE	CAGE CODE
	3 PLC ± 0.38[.015]		A3	00779
	4 PLC ± -		DRAWING NO	C-61248
	ANGLES ± 1° 0'		RESTRICTED TO	-
MATERIAL BRASS	FINISH TIN	WEIGHT -	CUSTOMER DRAWING	
		SCALE 5:1	SHEET 1 OF 1	REV A1