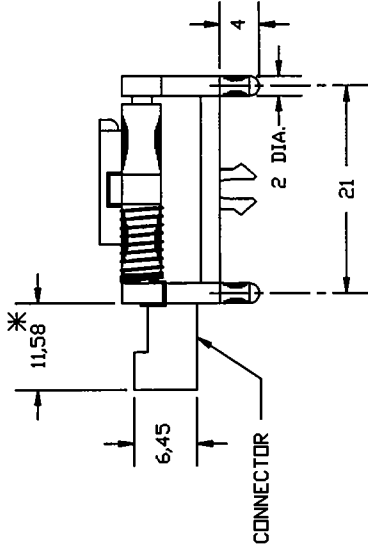
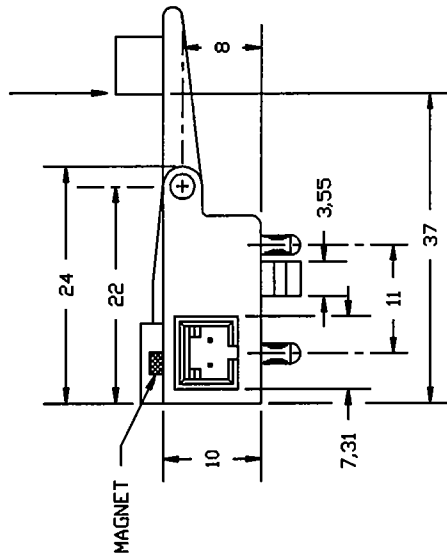


ACTUATION FORCE 4 GRAMS NOMINAL



MATERIAL BASE NYLON 6/6 W/15% GLASS FIBRE (BLACK)
 ARM NYLON 6/6 W/30% GLASS FIBRE (BLACK)
 CONNECTOR: 94V-0 POLYESTER W/30% GLASS FIBRE (BLACK)

OPERATING PARAMETERS

- 1.) OFF POINT: LESS THAN 15° ROTATION FROM REST POSITION
- 2.) ON POINT: GREATER THAN 2° ROTATION FROM REST POSITION

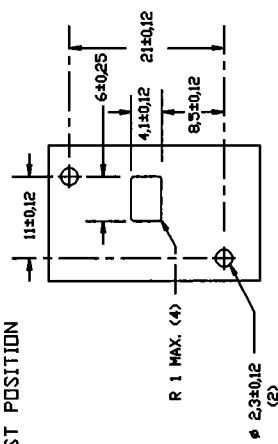
CONTACT RATINGS

- CONTACT CAPACITY= 10 WATTS MAX.
- SWITCHING VOLTAGE= 200 Vdc MAX.
- SWITCHING CURRENT= .500 Adc MAX.
- CONTACT RESISTANCE= .200 OHM MAX.

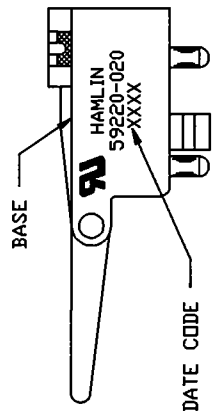
CONNECTOR PINS .025 IN², GOLD PLATED PHOSPHOR BRONZE

* KEY DIMENSIONS
 ALL DIMENSIONS IN MM

TOLERANCES: ±0.25 UNLESS OTHERWISE SPECIFIED



MATERIAL TO BE 1.6±0.21 THICK
 SWITCH MOUNTING HOLE PATTERN



4 DIGIT DATE CODE

SWITCH ASSEMBLY

H A M L I N, I n c .		DCR No. 4008	
AC	REVISE PACKAGING, REFORMAT	A3903	JC
REV.	DESCRIPTION OF REVISION	DCR No.	BY
		7/30/96	JC
		7/30/96	JC
		DATE	DATE
		App'd	RLB
		DATE	DATE
		12/19/88	12/19/88
		Dwn.	D10-59220-020
		DATE	DATE
		12/19/88	12/19/88
		Page 1 of 1	Page 1 of 1