

PSI-MPI/RS232-PC

Adapter for MPI Bus

INTERFACE

Data Sheet
103177_00_en

© PHOENIX CONTACT - 02/2007



Description

The MPI adapter **PSI-MPI/RS232-PC** allows a serial V.24 (RS-232) interface to be converted to an MPI bus (19.2 or 187.5 kbps) for programming software, operator interfaces or visualizations. It connects modems, Bluetooth converters and FL COM SERVER to the programming interface of a Siemens SIMATIC® S7 300/400 controller board.

The MPI adapter has a 0.5 m long connection cable which can be plugged directly into the MPI programming socket of the automation equipment. Also, the MPI adapter can be used anywhere in the MPI network.

In the housing of the MPI adapter there is a 9-pos. D-SUB plug, whose pin assignment fits a 1:1 cable.

The MPI adapter is supplied with power via the MPI interface. Alternatively, a 24 V power supply can be externally fed in. A DIN rail bracket is included in the scope of delivery.

Diagnostic Indicators

The three LEDs on the top side of the device give information about the operating state of the MPI adapter. Sources of error can be quickly localized with this.

The LEDs can each assume three different states: OFF, ON, or flashing. If the LED is off, none of the states described on the label are valid.

LED	State	Description
Power	ON	Power supply 24 V, processor working
	Flashing	No function
Active	ON	The adapter is registered in the MPI network
	Flashing	No function
Connect	ON	Adapter has established a connection
	Flashing	Adapter is transmitting data



Make sure you always use the latest documentation.
It can be downloaded at www.download.phoenixcontact.com.

A conversion table is available on the Internet at
www.download.phoenixcontact.com/general/7000_en_00.pdf.

Ordering Data

Description	Type	Order No.	Pcs./Pkt
Adapter for MPI Bus, with 0,5 m long connection cable and DIN rail bracket	PSI-MPI/RS232-PC	2313148	1

Technical Data

Supply

Supply voltage (from automation equipment or external feed (protected against polarity reversal))	24 V DC ±25%
Current consumption	70 mA

V.24 (RS-232) Interface

Type	serial, asynchronous
Transmission speed	automatic detection: 19.2 kbps or 38.4 kbps
Connection	9-pos. D-SUB, male connector

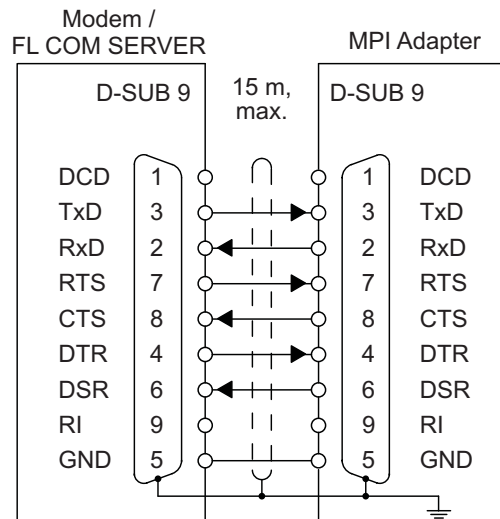
MPI Interface (RS-485)

Type	electrically isolated
Transmission speed	automatic detection: 19.2 kbps or 187.5 kbps
Connection	9-pos. D-SUB, male connector
Conductor	0.5 m (no termination resistors)

General Data

Degree of protection	IP20
Weight	180 g (incl. conductor and connector)
Dimensions (L x Wx H)	105 mm x 53 mm x 29 mm
Temperature range	-20°C ... +60°C
Relative humidity (no condensation)	
Operation (at 30°C)	5% ... 85%
Storage (at 40°C)	5% ... 93%

Pin	D-SUB 9 (V.24 (RS-232))	D-SUB 9 (MPI)
1	DCD	n. c.
2	Rx	M24V
3	Tx	DATA.B
4	DTR	RTS AS
5	GND	0 V (M5V)
6	DSR	n. c.
7	RTS	+24 V
8	CTS	DATA.A
9	RI	RTS PG



© PHOENIX CONTACT 02/2007