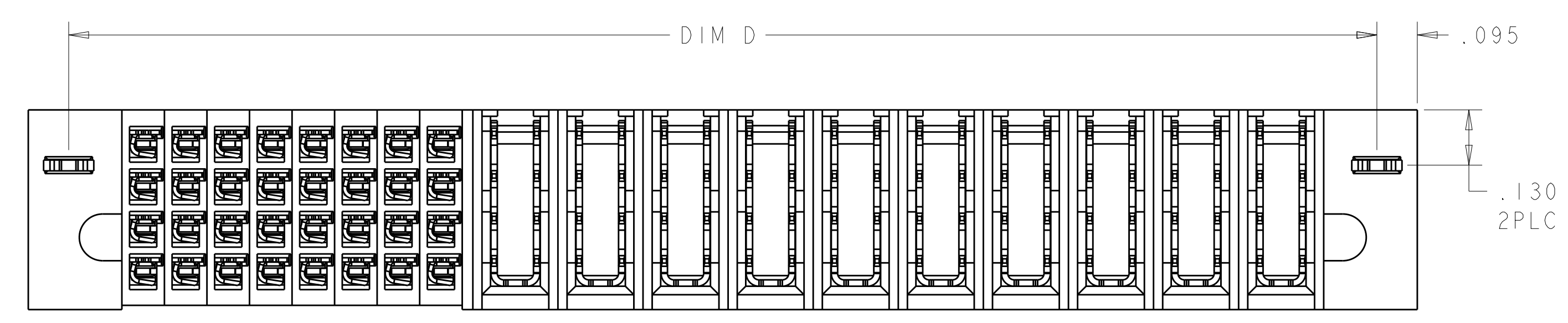
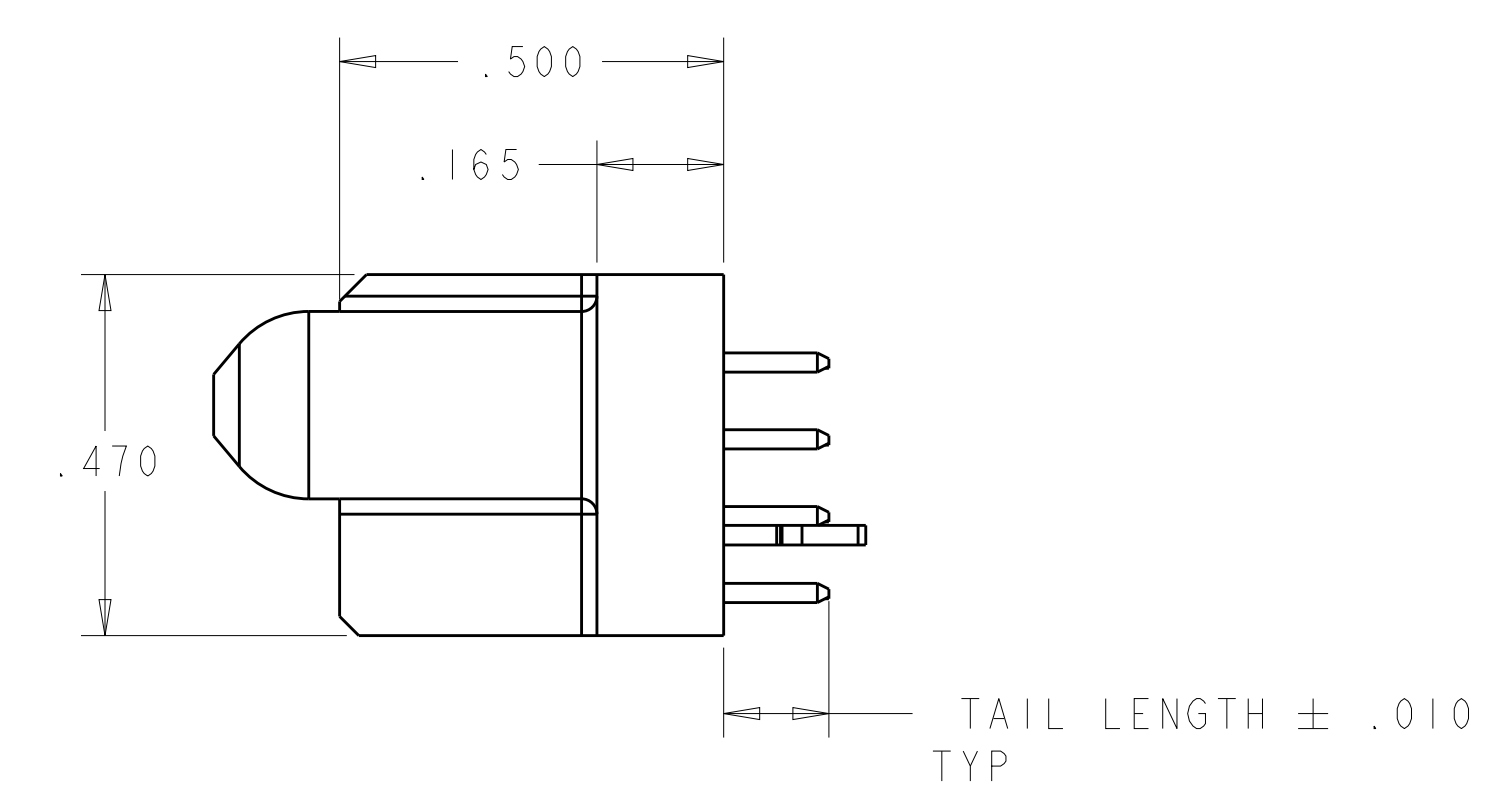
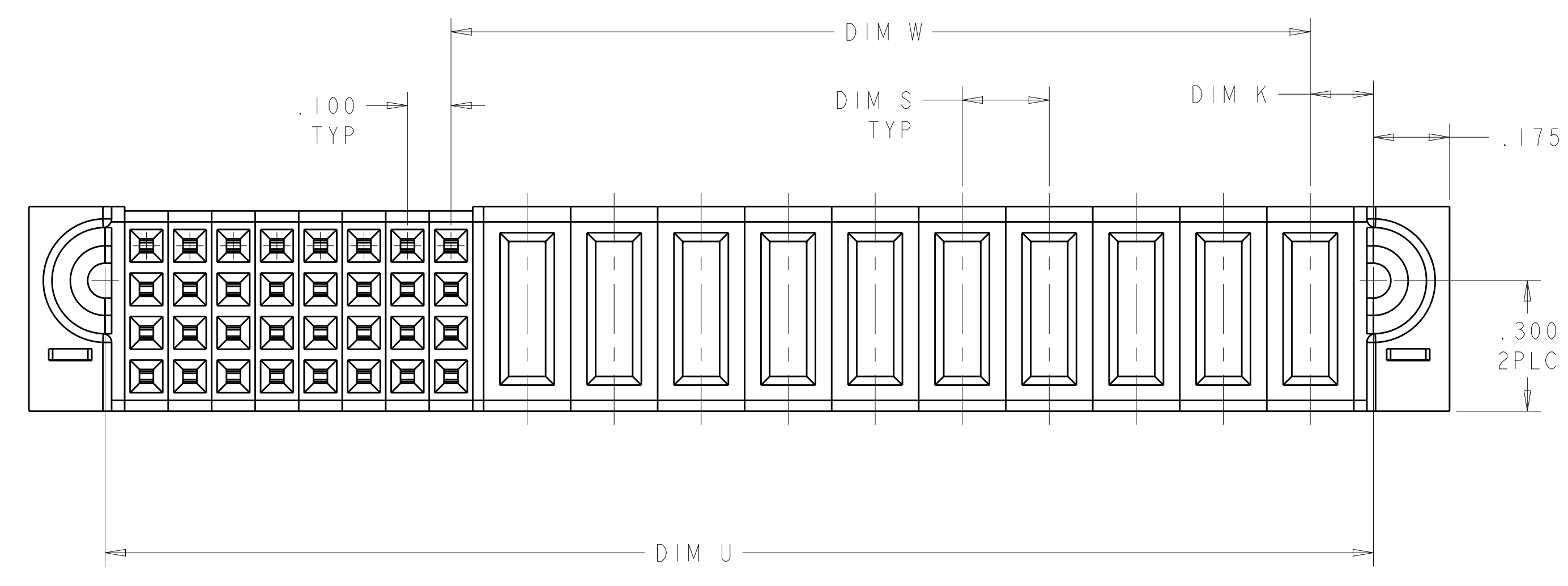
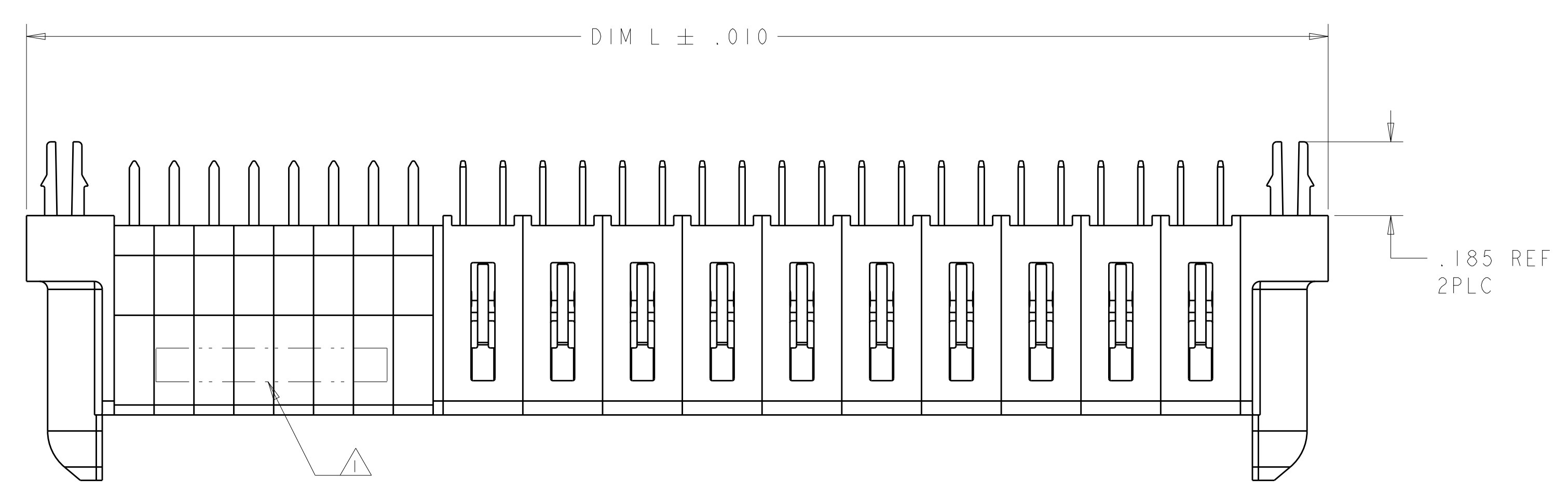


LOC	DIST	REVISIONS					
		P	LTN	DESCRIPTION	DATE	DMN	APVD
ES	00						
		C2		ADD NEW DASH NUMBER 1-2	04FEB2015	CZ	SZ
		C3		ADDED NEW DASH NUMBER 2-2	12DEC2016	CZ	SZ
		C4		REV PER ECO-17-001490	16DEC2016	CZ	SZ



- 1 "AMP", TRADEMARK, PART NUMBER AND DATE CODE TO BE MARKED IN AREA SHOWN
- 2 MATERIAL: HOUSING - GLASS FILLED HIGH TEMP THERMO PLASTIC, UL94 V-0, BLACK  
SIGNAL CONTACT - HIGH CONDUCTIVITY COPPER ALLOY  
POWER CONTACT - HIGH CONDUCTIVITY COPPER ALLOY
- 3 CONTACT PLATING: NOBLE METAL PLATING ON CONTACT FUNCTIONAL AREA OF POWER AND SIGNAL CONTACTS
- 4 MECHANICAL CONNECTOR KEEP OUT ZONE
- 5 DATUM AND BASIC DIMENSIONS ESTABLISHED BY CUSTOMER
- 6 PCB - ALL HOLE DIAMETERS ARE FINISHED HOLE SIZES
- 7 PCB - .0453 ±.0010 DRILLED HOLES PLATED WITH .0003 MIN Sn OVER .001 TO .003 CU PLATING TO ACHIEVE A .040±.003 DIA HOLE
- 8 VARIABLE DIMENSIONS PLEASE SEE SHEET 2 OR TABLE ON PART VIEW..


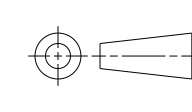


THIS DRAWING IS A CONTROLLED DOCUMENT.		DMN H. LIU 28MAY2008	TE Connectivity												
DIMENSIONS: INCHES		CHK S. ZHAO 28MAY2008													
TOLERANCES UNLESS OTHERWISE SPECIFIED:		APVD S. YAO	NAME VERTICAL RECEPTACLE ASSEMBLY, WITH GUIDES MULTI-BEAM XLE												
<table border="1"> <tr><td>0 PLC</td><td>±</td></tr> <tr><td>1 PLC</td><td>±.01</td></tr> <tr><td>2 PLC</td><td>±.01</td></tr> <tr><td>3 PLC</td><td>±.005</td></tr> <tr><td>4 PLC</td><td>±.0020</td></tr> <tr><td>ANGLES</td><td>±.020</td></tr> </table>		0 PLC	±	1 PLC	±.01	2 PLC	±.01	3 PLC	±.005	4 PLC	±.0020	ANGLES	±.020	PRODUCT SPEC 108-1973	SIZE A1
0 PLC	±														
1 PLC	±.01														
2 PLC	±.01														
3 PLC	±.005														
4 PLC	±.0020														
ANGLES	±.020														
MATERIAL		APPLICATION SPEC 114-13038	CAGE CODE 6450852												
FINISH		WEIGHT	RESTRICTED TO												
CUSTOMER DRAWING		SCALE 1:1	SHEET 1 OF 10												

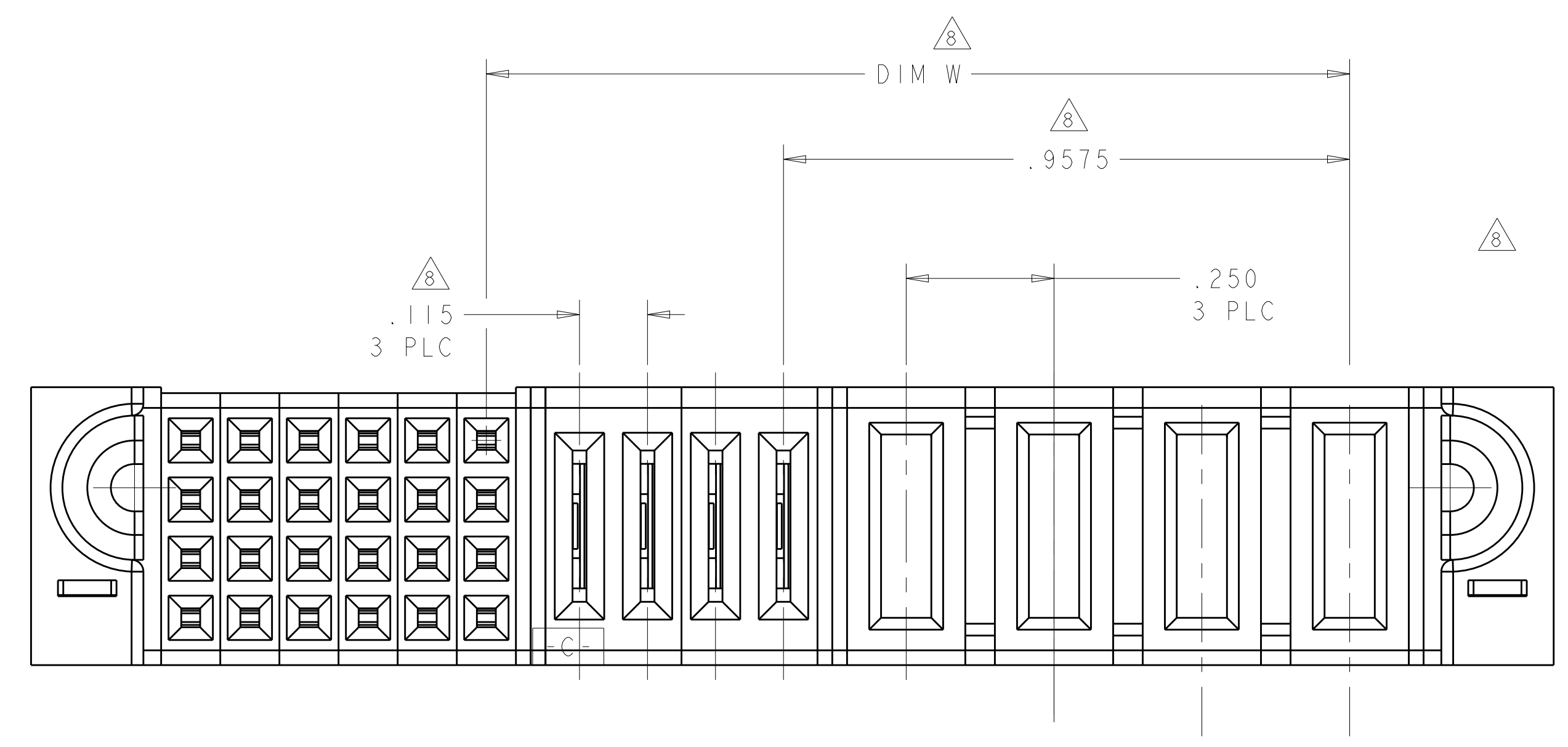
THIS DRAWING IS UNPUBLISHED. RELEASED FOR PUBLICATION 20  
 © COPYRIGHT 20 BY - ALL RIGHTS RESERVED.

LOC		DIST		REVISIONS			
P	LTN	DESCRIPTION	DATE	DWN	APVD		
-		SEE SHEET 1	-	-	-		


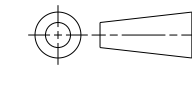
$\triangle$	4.640	4.290	4.450	2.550	.145	5P+2HDP+4P+64S	2-6450852-2
.250	1.490	1.140	1.300	.675	.170	3P + 12S	1-6450852-2
.250	2.690	2.340	2.500	-	.170	9P	6450852-9
.250	3.090	2.740	2.900	1.950	.170	8P + 24S	6450852-8
$\triangle$	4.640	4.290	4.450	2.550	.145	5P+2HDP+4P+64S	6450852-7
.200	1.090	.740	.900	-	.170	3HDP	6450852-6
$\triangle$	4.015	3.665	3.825	3.075	.195	3ACP + 9P + 16S	6450852-5
.200	3.065	2.715	2.875	1.975	.145	10HDP + 24S	6450852-4
.200	3.065	2.715	2.875	1.975	.145	10HDP + 24S	6450852-3
.250	2.575	2.225	2.385	1.460	$\triangle$ .170	4P + 4LP + 24S	6450852-2
.200	3.265	2.915	3.075	1.975	.145	10HDP + 32S	6450852-1
DIM S	DIM L	DIM U	DIM D	DIM W	DIM K	DESCRIPTION	PART NUMBER

THIS DRAWING IS A CONTROLLED DOCUMENT.		DWN H. LIU 28MAY2008	 TE Connectivity
DIMENSIONS: INCHES		CHK S. ZHAO 28MAY2008	
TOLERANCES UNLESS OTHERWISE SPECIFIED: 0 PLC ±. 1 PLC ±.01 2 PLC ±.01 3 PLC ±.005 4 PLC ±.0020 ANGLES ±.020		APVD S. YAO	NAME VERTICAL RECEPTACLE ASSEMBLY, WITH GUIDES MULTI-BEAM XLE
		PRODUCT SPEC 108-1973	SIZE A100779
MATERIAL		APPLICATION SPEC 114-13038	DRAWING NO 6450852
FINISH		WEIGHT	RESTRICTED TO
		CUSTOMER DRAWING	SCALE 4:1 SHEET 2 OF 10 REV C4

LOC		DIST		REVISIONS			
P	LTN	DESCRIPTION	DATE	DWN	APVD		
-	-	SEE SHEET 1	-	-	-		

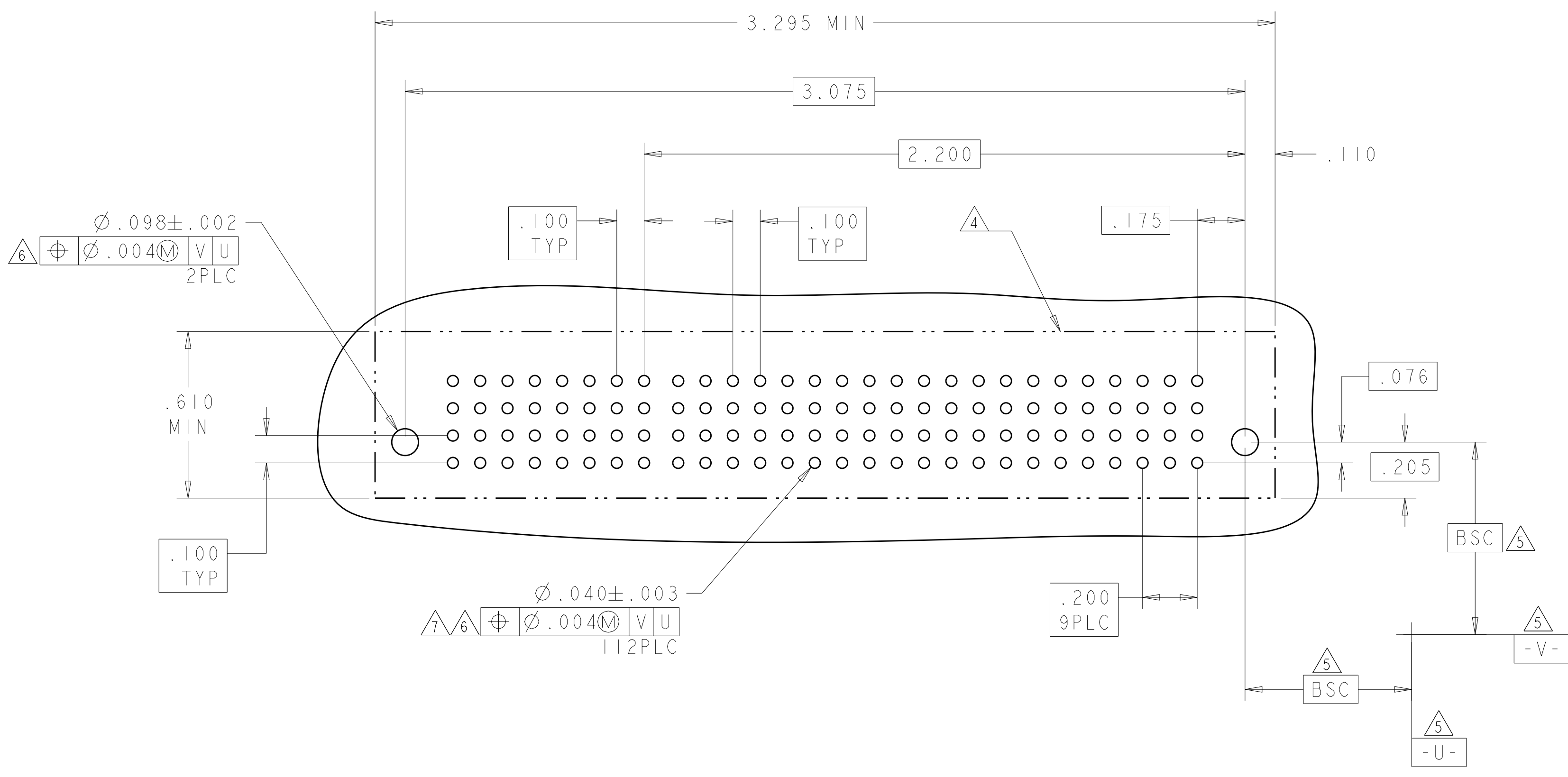


FOR P/N:6450852-2, OTHER DIMENSIONS PLEASE SEE TABLE.

THIS DRAWING IS A CONTROLLED DOCUMENT.		DWN H. LIU 28MAY2008	 TE Connectivity
DIMENSIONS: INCHES		CHK S. ZHAO 28MAY2008	
TOLERANCES UNLESS OTHERWISE SPECIFIED: 0 PLC ±. 1 PLC ±. 2 PLC ±.01 3 PLC ±.005 4 PLC ±.0020 ANGLES ±.2° FINISH		APVD S. YAO	NAME VERTICAL RECEPTACLE ASSEMBLY, WITH GUIDES MULTI-BEAM XLE
		PRODUCT SPEC 108-1973	RESTRICTED TO
MATERIAL		APPLICATION SPEC 114-13038	SIZE CAGE CODE DRAWING NO A100779C=6450852
WEIGHT		CUSTOMER DRAWING	SCALE 4:1 SHEET 3 OF 10 REV C4

LOC	DIST	REVISIONS			
P	LTN	DESCRIPTION	DATE	DWN	APVD
-	-	SEE SHEET 1	-	-	-

PART NUMBER	ROWS	SIGNAL								POWER											
		8	7	6	5	4	3	2	1	P10	P9	P8	P7	P6	P5	P4	P3	P2	P1		
6450852-1	D	E	E	E	E	E	E	E	E	VM	VM	VM	VM	VM	VM	VM	VM	VM	VM		
	C	E	E	E	E	E	E	E	E	VM	VM	VM	VM	VM	VM	VM	VM	VM	VM		
	B	E	E	E	E	E	E	E	E	VM	VM	VM	VM	VM	VM	VM	VM	VM	VM		
	A	E	E	E	E	E	E	E	E	VM	VM	VM	VM	VM	VM	VM	VM	VM	VM		
10HDP + 32S		HD																		HD	



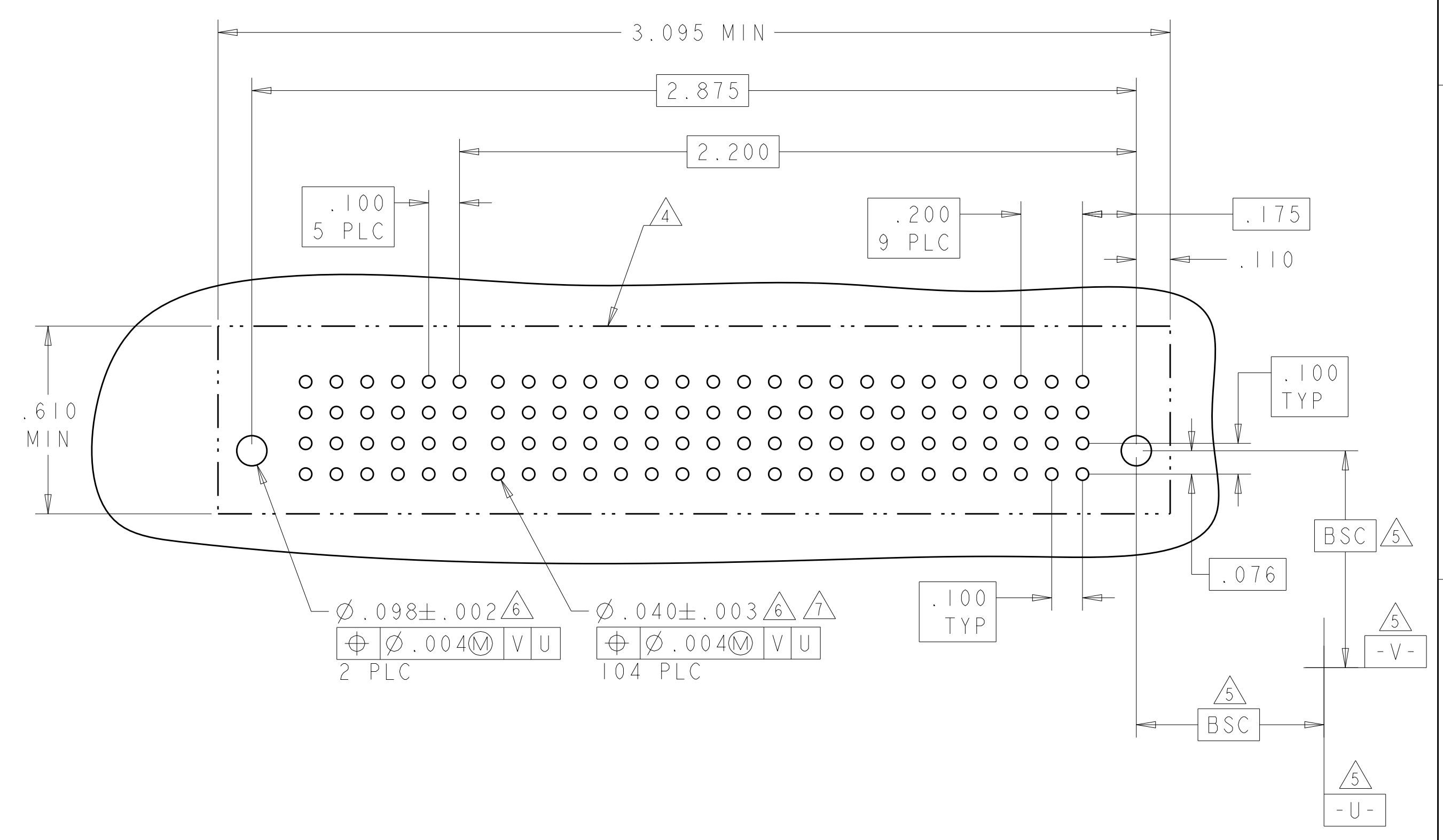
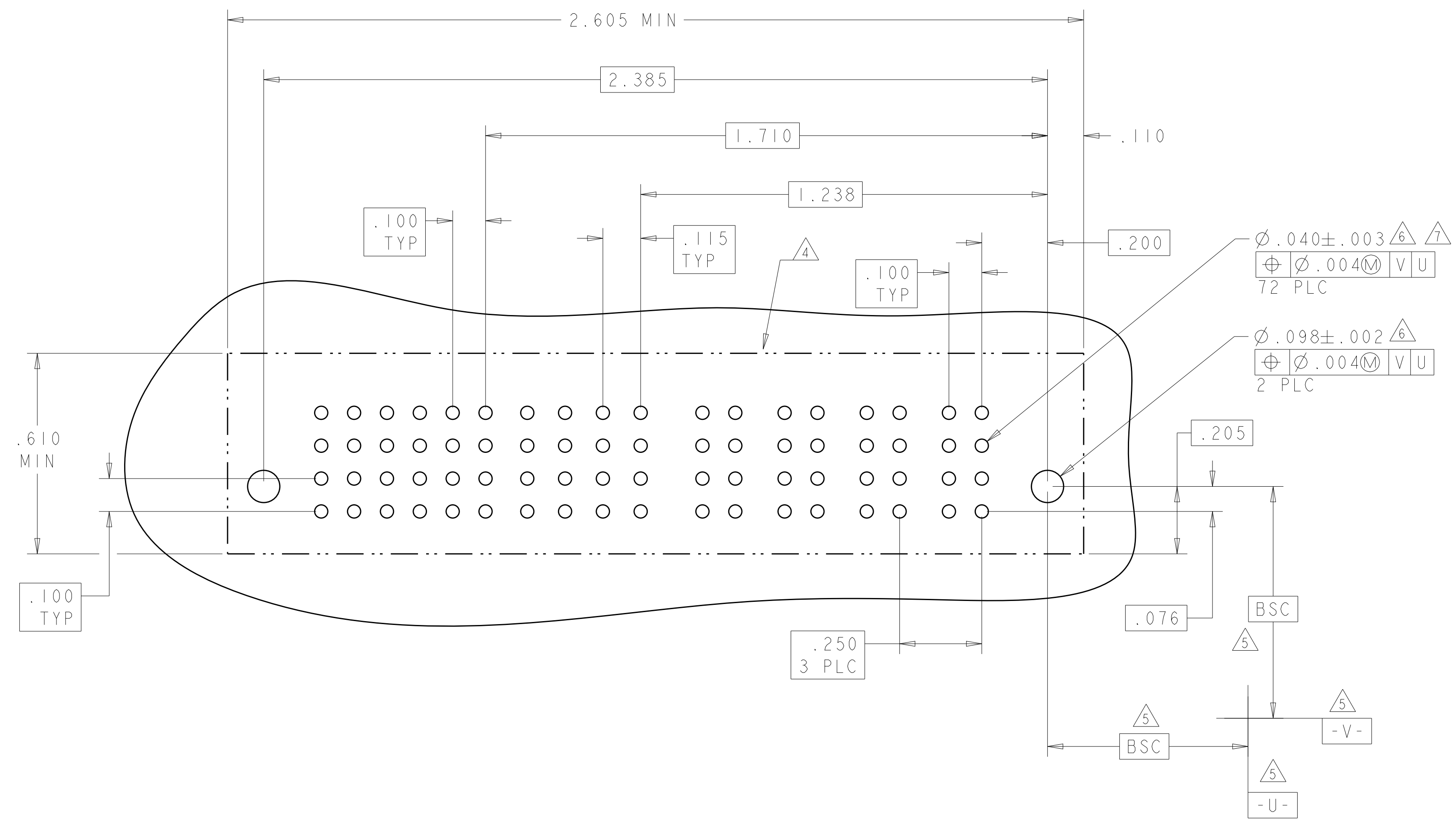
E	SIGNAL CONTACT .135" TAIL LENGTH
LM	LOWER POWER CONTACT, STD.135" TAIL LENGTH
VA	POWER CONTACT, MFB.135" TAIL LENGTH
VM	POWER CONTACT, STD.135" TAIL LENGTH
CODE	DESCRIPTION
CONTACTS	

THIS DRAWING IS A CONTROLLED DOCUMENT.		DWN	H.LIU	28MAY2008	<b>STE</b> TE Connectivity
DIMENSIONS: INCHES		CHK	S.ZHAO	28MAY2008	
TOLERANCES UNLESS OTHERWISE SPECIFIED:		APVD	S.YAO		VERTICAL RECEPTACLE ASSEMBLY, WITH GUIDES MULTI-BEAM XLE
0 PLC ± .01		PRODUCT SPEC			
1 PLC ± .01		APPLICATION SPEC			
2 PLC ± .005		SIZE	CAGE CODE	DRAWING NO	
3 PLC ± .002		RESTRICTED TO			
4 PLC ± .0020		WEIGHT			
ANGLES ± 30°		CUSTOMER DRAWING			
FINISH		SCALE	4:1	SHEET	4 OF 10
MATERIAL		REV			C4

LOC	DIST	REVISIONS			
P	LTN	DESCRIPTION	DATE	DMN	APVD
-	-	SEE SHEET 1	-	-	-

PART NUMBER	ROWS	SIGNAL						POWER							
		6	5	4	3	2	1	P8	P7	P6	P5	P4	P3	P2	P1
6450852-2	D C B A	E	E	E	E	E	E	LM	LM	LM	LM	VM	VM	VM	VM
		E	E	E	E	E	E	LM	LM	LM	LM	VM	VM	VM	VM
		E	E	E	E	E	E	LM	LM	LM	LM	VM	VM	VM	VM
		E	E	E	E	E	E	LM	LM	LM	LM	VM	VM	VM	VM
4P + 4LP + 24S															

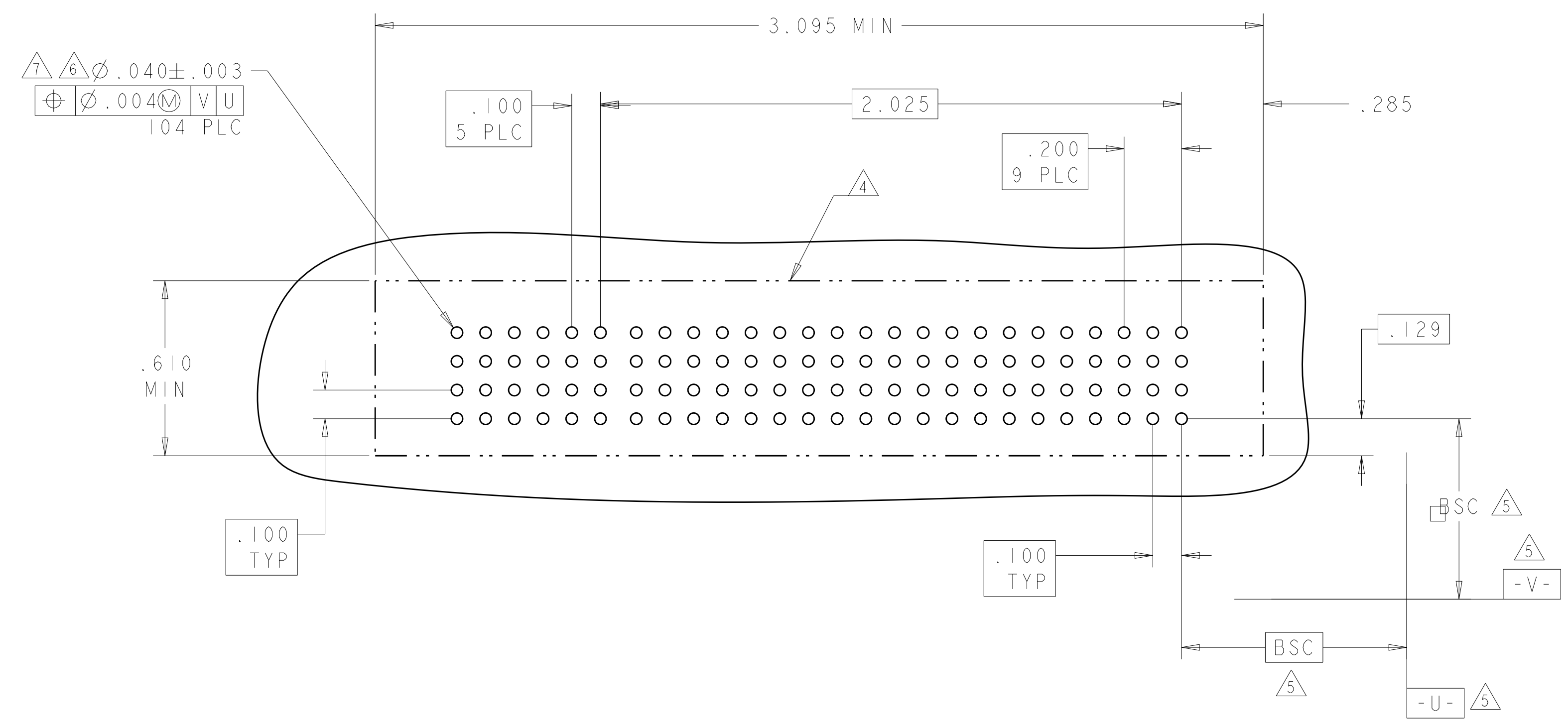
PART NUMBER	ROWS	SIGNAL						POWER									
		6	5	4	3	2	1	P10	P9	P8	P7	P6	P5	P4	P3	P2	P1
6450852-3	D C B A	E	E	E	E	E	E	VM	VM	VM	VM	VM	VM	VM	VM	VM	VM
		E	E	E	E	E	E	VM	VM	VM	VM	VM	VM	VM	VM	VM	VM
		E	E	E	E	E	E	VM	VM	VM	VM	VM	VM	VM	VM	VM	VM
		E	E	E	E	E	E	VM	VM	VM	VM	VM	VM	VM	VM	VM	VM
10HDP + 24S																	



THIS DRAWING IS A CONTROLLED DOCUMENT.		DMN: H.LIU 28MAY2008		TE Connectivity
DIMENSIONS: INCHES		CHK: S.ZHAO 28MAY2008		NAME: VERTICAL RECEPTACLE ASSEMBLY, WITH GUIDES MULTI-BEAM XLE
TOLERANCES UNLESS OTHERWISE SPECIFIED:		APVD: S.YAO	PRODUCT SPEC: 108-1973	
0 PLC ±.01		APPLICATION SPEC: 114-13038		RESTRICTED TO:
2 PLC ±.01		SIZE: CAGE CODE DRAWING NO: A100779C=6450852		SCALE: 4:1 SHEET 5 OF 10 REV: C4
3 PLC ±.005		WEIGHT: -		
4 PLC ±.0020		CUSTOMER DRAWING		
ANGLES: ±.2°				
FINISH: -				

LOC		DIST		REVISIONS			
P	LTN	DESCRIPTION	DATE	DMN	APVD		
-	-	SEE SHEET 1	-	-	-		

PART NUMBER	ROWS	SIGNAL						POWER								
		6	5	4	3	2	1	P10	P9	P8	P7	P6	P5	P4	P3	P2
6450852-4	D	E	E	E	E	E	E	VM	VM	VM	VM	VM	VM	VM	VM	VM
	C	E	E	E	E	E	E	VM	VM	VM	VM	VM	VM	VM	VM	VM
	B	E	E	E	E	E	E	VM	VM	VM	VM	VM	VM	VM	VM	VM
	A	E	E	E	E	E	E	VM	VM	VM	VM	VM	VM	VM	VM	VM
10HDP + 24S																



THIS DRAWING IS A CONTROLLED DOCUMENT. DWN: H.LIU 28MAY2008  
 CHK: S.ZHAO 28MAY2008

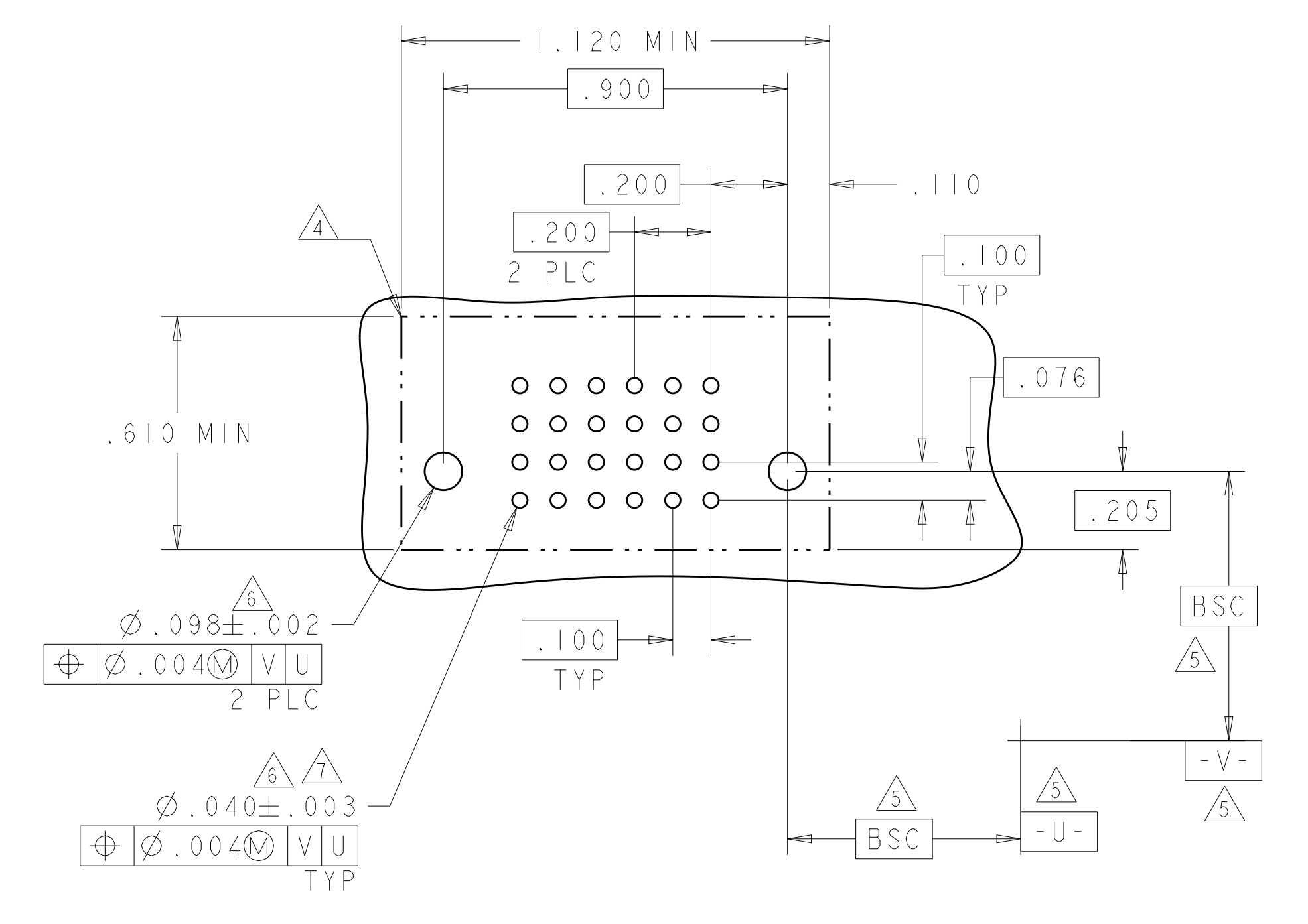
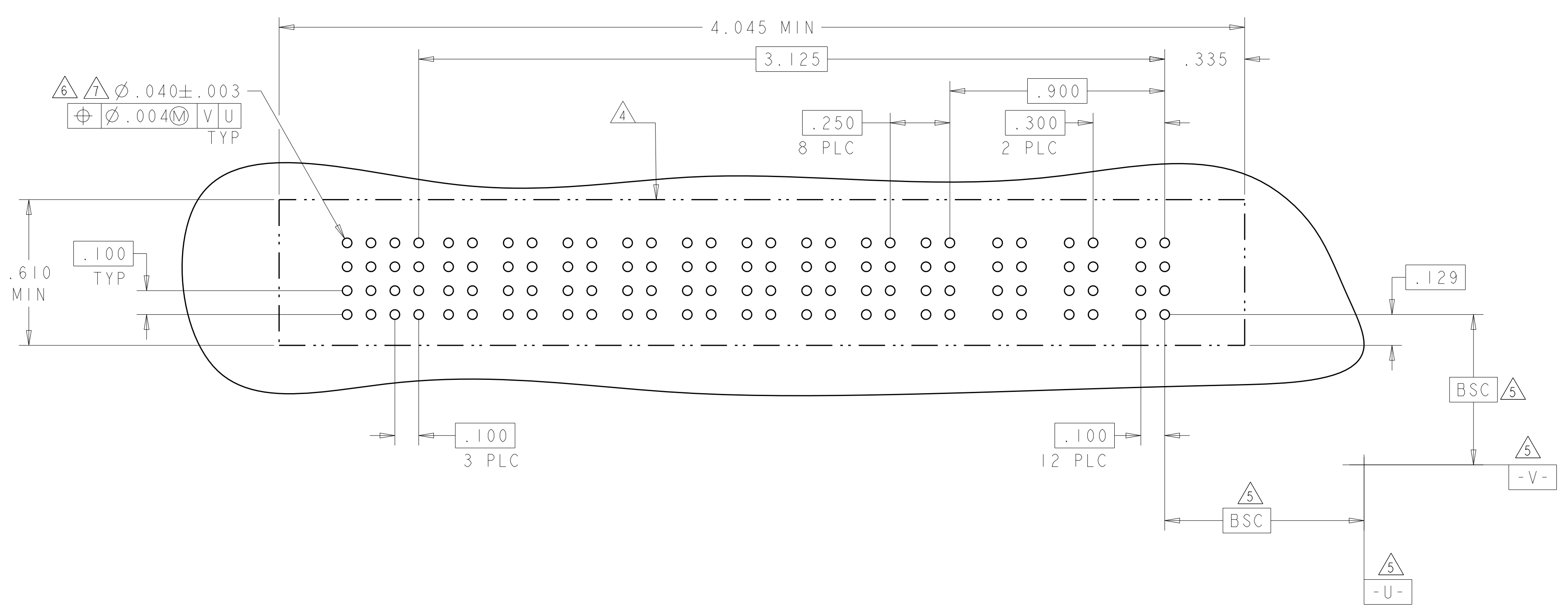
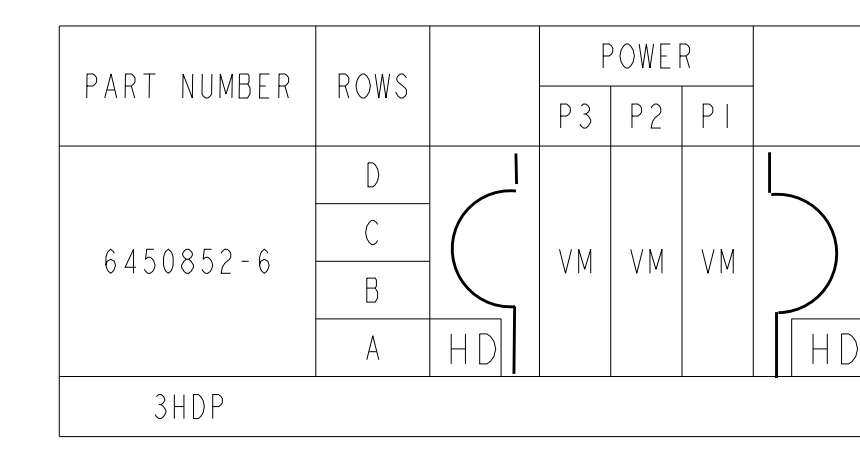
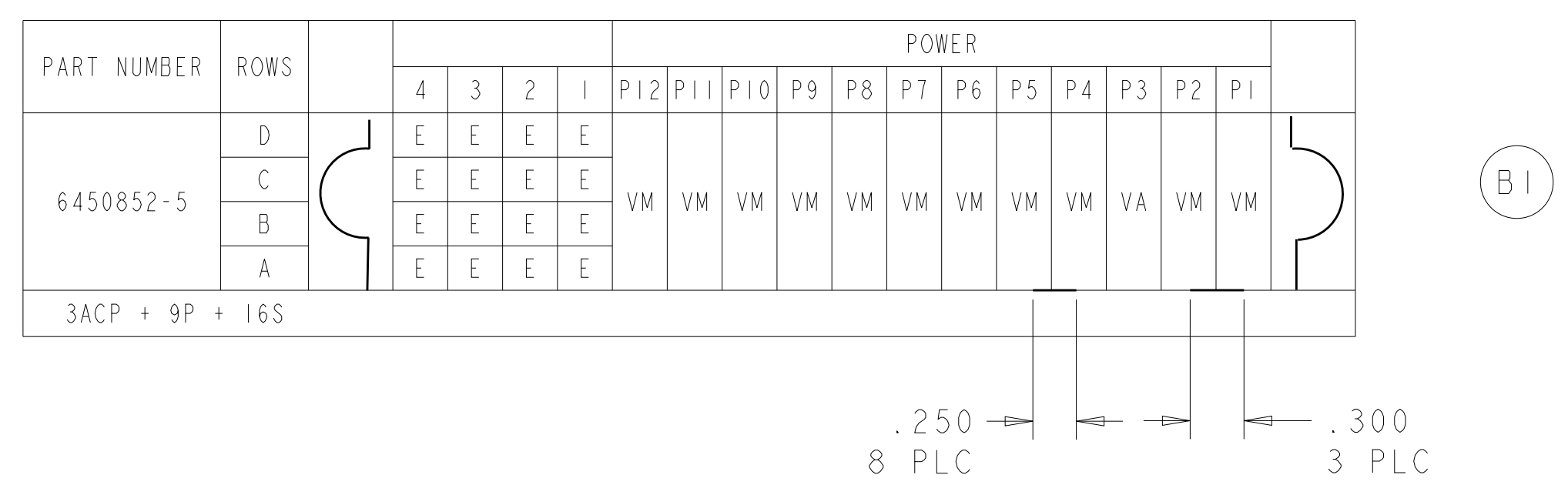
TE Connectivity

VERTICAL RECEPTACLE ASSEMBLY, WITH GUIDES MULTI-BEAM XLE

NAME: VERTICAL RECEPTACLE ASSEMBLY, WITH GUIDES MULTI-BEAM XLE  
 PRODUCT SPEC: 108-1973  
 APPLICATION SPEC: 114-13038  
 SIZE: A100779 C=6450852  
 CAGE CODE: 114-13038  
 WEIGHT: -  
 FINISH: -  
 MATERIAL: -  
 CUSTOMER DRAWING

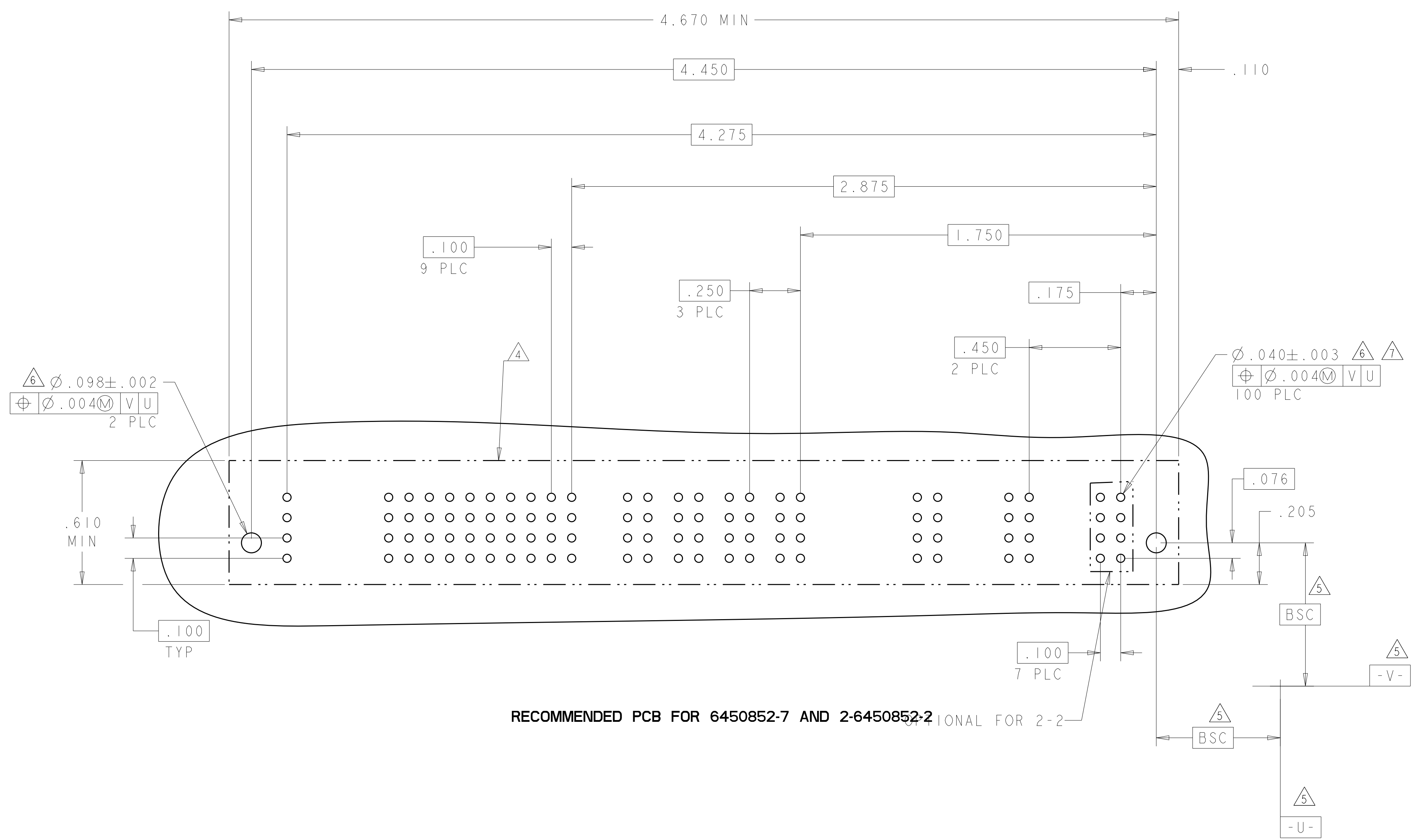
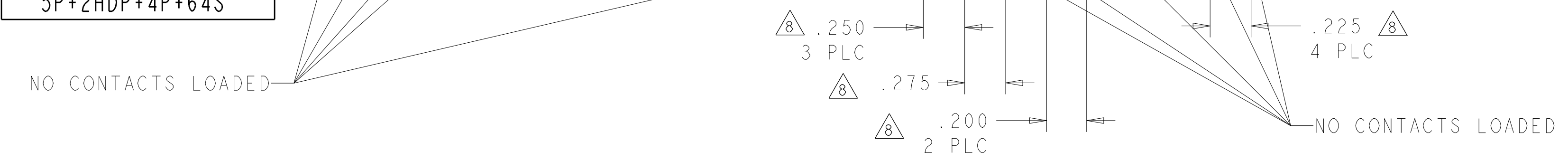
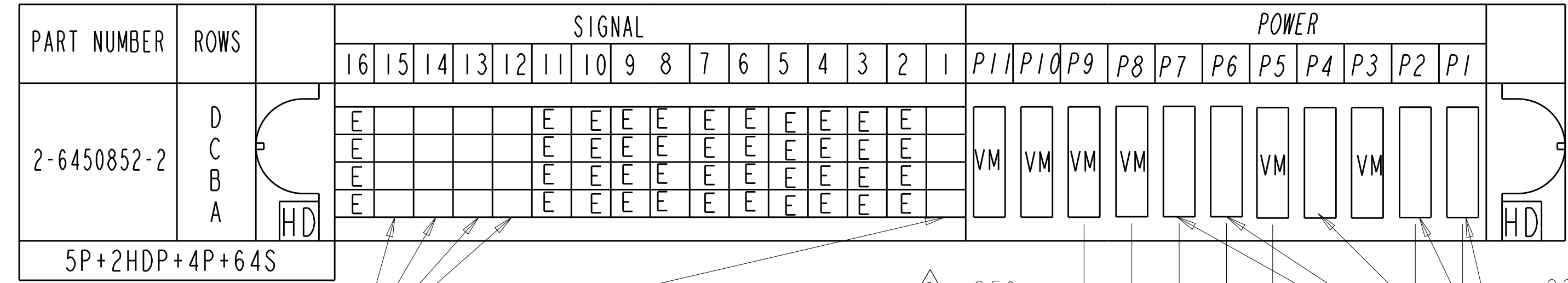
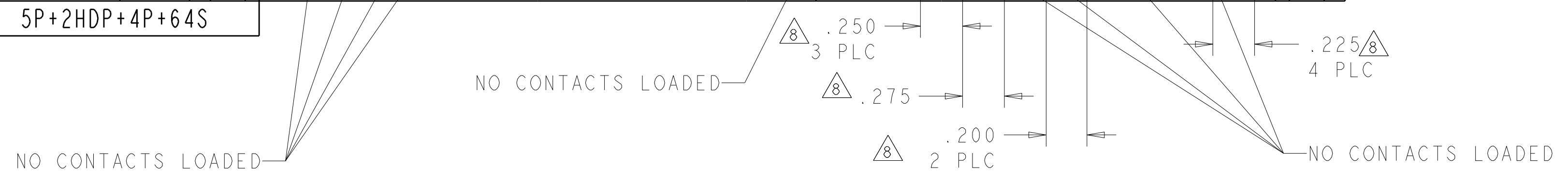
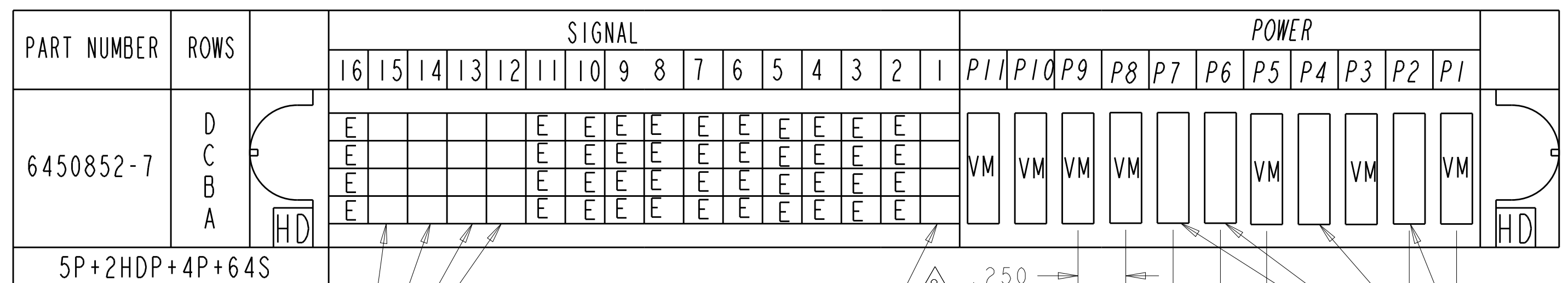
SCALE: 4:1 SHEET: 6 OF 10 REV: C4

LOC	DIST	REVISIONS			
P	LTN	DESCRIPTION	DATE	DMN	APVD
-	-	SEE SHEET 1	-	-	-



THIS DRAWING IS A CONTROLLED DOCUMENT.		DMN: H.LIU 28MAY2008	TE Connectivity
DIMENSIONS: INCHES		CHK: S.ZHAO 28MAY2008	
TOLERANCES UNLESS OTHERWISE SPECIFIED:		APVD: S.YAO	NAME: VERTICAL RECEPTACLE ASSEMBLY, WITH GUIDES, MULTI-BEAM XLE
0 PLC ±.	1 PLC ±.01	PRODUCT SPEC: 108-1973	SIZE: CAGE CODE DRAWING NO: A100779C=6450852
2 PLC ±.01	3 PLC ±.005	APPLICATION SPEC: 114-13038	RESTRICTED TO: -
4 PLC ±.0020	ANGLES ±.7°	WEIGHT: -	SCALE: 4:1 SHEET 7 OF 10 REV: C4
MATERIAL: -	FINISH: -	CUSTOMER DRAWING	

LOC	DIST	REVISIONS			
P	LTH	DESCRIPTION	DATE	DMN	APVD
-	-	SEE SHEET 1	-	-	-



RECOMMENDED PCB FOR 6450852-7 AND 2-6450852-2

THIS DRAWING IS A CONTROLLED DOCUMENT.		DMN: H.LIU 28MAY2008	TE Connectivity
DIMENSIONS: INCHES		CHK: S.ZHAO 28MAY2008	
TOLERANCES UNLESS OTHERWISE SPECIFIED: 0 PLC ±. 1 PLC ±.01 2 PLC ±.01 3 PLC ±.005 4 PLC ±.002 ANGLES ±.2°		APVD: S.YAO	NAME: VERTICAL RECEPTACLE ASSEMBLY, WITH GUIDES, MULTI-BEAM XLE
MATERIAL: -		FINISH: -	SIZE: A100779
CUSTOMER DRAWING		SCALE: 4:1	SHEET: 8 OF 10



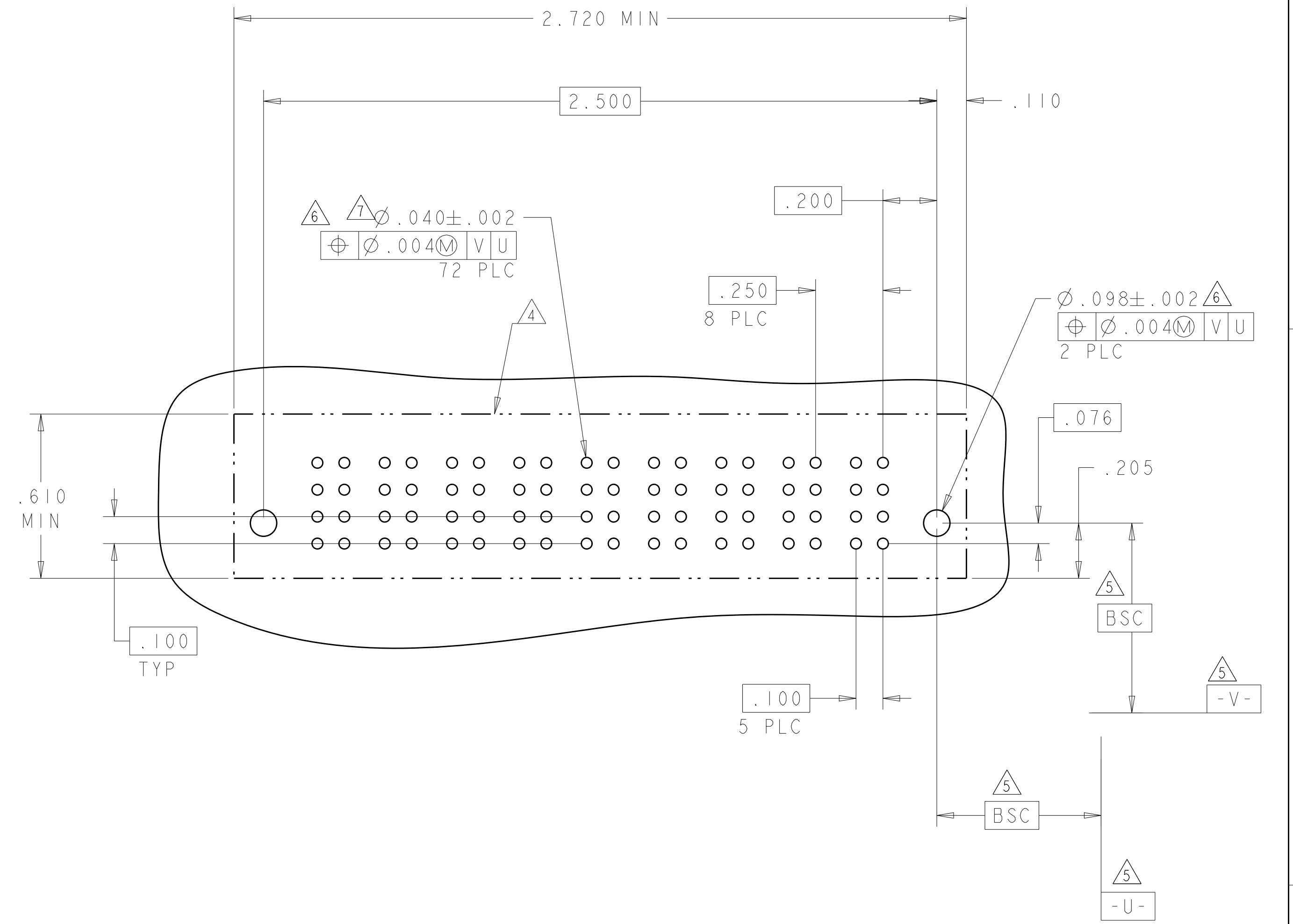
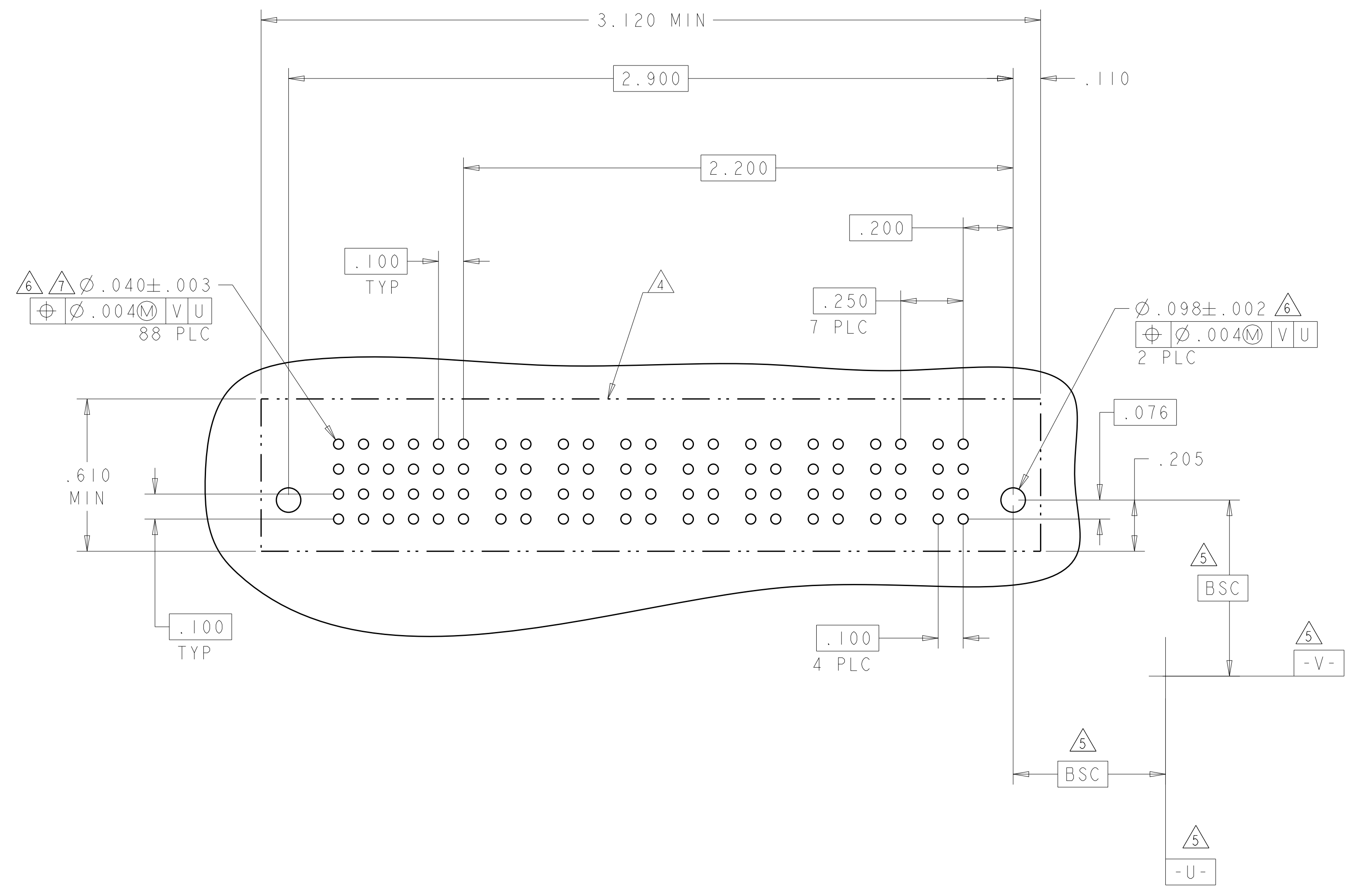
LOC	DIST	REVISIONS			
P	LTN	DESCRIPTION	DATE	DMN	APVD
-	-	SEE SHEET 1	-	-	-

PART NUMBER	ROWS	SIGNAL					POWER					HD			
		6	5	4	3	2	1	P8	P7	P6	P5		P4	P3	P2
6450852-8	D	E	E	E	E	E									
	C	E	E	E	E	E	VM	VM	VM	VM	VM	VM	VM	VA	
	B	E	E	E	E	E									
	A	E	E	E	E	E									

8P + 24S

PART NUMBER	ROWS	POWER									HD		
		P9	P8	P7	P6	P5	P4	P3	P2	P1			
6450852-9	D												
	C	VA	VM	VM	VM	VM	VM	VM	VM	VM			
	B												
	A	HD											

9P



THIS DRAWING IS A CONTROLLED DOCUMENT.		DMN: H.LIU 28MAY2008	 TE Connectivity
DIMENSIONS: INCHES		CHK: S.ZHAO 28MAY2008	
TOLERANCES UNLESS OTHERWISE SPECIFIED:		APVD: S.YAO	NAME: VERTICAL RECEPTACLE ASSEMBLY, WITH GUIDES MULTI-BEAM XLE
0 PLC ±	1 PLC ±.01	PRODUCT SPEC: 108-1973	SIZE: A100779
2 PLC ±.01	3 PLC ±.005	APPLICATION SPEC: 114-13038	CAGE CODE: C=6450852
4 PLC ±.0020	ANGLES ±.2°	WEIGHT: -	RESTRICTED TO: -
MATERIAL: -	FINISH: -	CUSTOMER DRAWING	SCALE: 4:1 SHEET 9 OF 10 REV: C4

