

ATLANTIC VERSION TERMINATOR INTERFACE ADAPTER	PART NUMBER	REVISION	DESCRIPTION	FEED TYPE	APPLICATOR STYLE CONVERSION CHART							
					CONVERT TO	PART NUMBERS REQUIRED						
	2150497-1	A	FINE CRIMP HEIGHT ADJUST	MECHANICAL	PNEUMATIC FEED	2119950-1	2119792-4	-	2119641-1	-	2063440-1	
					SERVO LATCH PLATE	2119951-1	1901697-1	8-2150497-5	-	-	2168400-7 (QUANTITY 2)	
					SMART APPLICATOR	2161326-1	-	8-2150497-4	-	-	-	
	2150497-2	A	FINE CRIMP HEIGHT ADJUST	PNEUMATIC	MECHANICAL FEED	2119949-1	2063961-4	5-18022-5	2119653-1	-	-	
					SERVO LATCH PLATE	2119951-1	1901697-1	8-2150497-5	-	-	2168400-7 (QUANTITY 2)	
					SMART APPLICATOR	2161326-1	-	8-2150497-4	-	-	-	
	2150497-5	A	FINE CRIMP HEIGHT ADJUST	SERVO LATCH PLATE	MECHANICAL FEED	2119949-1	2063961-4	5-18022-5	2119653-1	-	-	
					PNEUMATIC FEED	2119950-1	2119792-4	-	2119641-1	-	2063440-1	
	2150497-6	A	NON-CRIMP HEIGHT ADJUST	SERVO LATCH PLATE	-	-	-	-	-	-	-	
					-	-	-	-	-	-	-	-
	2150497-7	A	FINE CRIMP HEIGHT ADJUST	NONE	-	-	-	-	-	-	-	
	7-2150497-7	A	CRIMP TOOLING KIT	-	-	-	-	-	-	-	-	

APPLICATOR DATA		
CRIMP	SIZE	TYPE
WIRE	2.29 mm [.090]	F
INSUL	3.30 mm [.130]	F
APPL INSTRUCTIONS 408-10390		

TERMINAL DATA: TE TERMINAL		TE CRIMP SPECIFICATION	
TERMINAL NAME: SOCKET MATE-N-LOK			
WIRE STRIP LENGTH		INSULATION DIAMETER RANGE	
3.96-4.75 mm [.156-.187 IN]		Ø1.78-3.30 mm [.070-.130 IN]	
TERMINAL APPLICATION SPECIFICATION	114-1012	-	-
TERMINALS APPLIED			
TE TERMINAL	TE TERMINAL	TE TERMINAL	TE TERMINAL
160495-2	160537-1	160537-3	
160495-3	160537-2	160537-4	

WIRE SIZE	CRIMP HEIGHT mm [INCH]	CRIMP HEIGHT REFERENCE SETTING
1.00mm2	1.30 +/- 0.05 [.051 +/- .002]	9.1
0.75mm2	1.24 +/- 0.05 [.049 +/- .002]	9.7
0.50mm2	1.19 +/- 0.05 [.047 +/- .002]	10.3

- 1 RECOMMENDED SPARE PARTS
- 2 GREASE BEARING SURFACES LIGHTLY
- 3 LUBRICATE DAILY PER THE APPLICATOR INSTRUCTION SHEET SUPPLIED WITH THE APPLICATOR.
- 4 APPLICATOR SPECIFIC DATA TO BE ENTERED INTO BLANK MEMORY CHIP AT ASSEMBLY. SEE BELOW FOR PART NUMBER:
 - MECHANICAL FEED WITH "SMART APPLICATOR" CONVERSION: 8-2150497-4
 - PNEUMATIC FEED WITH "SMART APPLICATOR" CONVERSION: 8-2150497-4
 - SERVO FEED WITH "FINE CRIMP HEIGHT ADJUST": 8-2150497-5
 - SERVO FEED WITH "NON-CRIMP HEIGHT ADJUST": 8-2150497-6
- 5. ADJUSTMENT OF THE STRIPPER MAY BE REQUIRED WHEN MOVING THE APPLICATOR BETWEEN BENCH AND LEADMAKER APPLICATIONS.
- 6 APPLY PART NUMBER 1-23419-5 LOCTITE TO THREADS OF ITEMS 62 & 180. APPLY PART NUMBER 2-23419-6 LOCTITE TO THREADS OF ITEM 242. FOR -6 ONLY APPLY PART NUMBER 1-23419-5 LOCTITE TO THREADS OF ITEMS 37 & 180.
- 7 GREASE THREADS, GROOVE AND O-RING ON ITEMS 35 & 252.
- 8 MAGNET, ITEM 166 MUST BE ORIENTED CORRECTLY IN ORDER TO PROPERLY ACTUATE THE COUNTER.
- 9 CRIMP HEIGHT REFERENCE SETTING WAS THE SETTING USED WHEN THE APPLICATOR WAS QUALIFIED AT THE FACTORY. ADJUSTMENT MAY BE NECESSARY WHEN RUNNING APPLICATOR IN THE FIELD.
- 10 SPARE FEED CAM STORAGE LOCATION REFER TO INSTRUCTION SHEET FOR ADDITIONAL INFORMATION.
- 11 THE RECOMMENDED SET-UP FOR END FEED APPLICATORS IS POST-FEED WITH ITEM 2119653-1. THE APPLICATOR CAN BE CONFIGURED FOR PRE-FEED WITH ITEM 2119652-1 BUT MAY ENCOUNTER PROBLEMS WITH SOME APPLICATIONS. FEED ISSUES OR TERMINAL JAMMING MAY OCCUR IN THE PRE-FEED CONFIGURATION.
- 12 WHEN ASSEMBLING -6 NON-CRIMP HEIGHT ADJUST APPLICATOR USE SHIM PACK 2119957-2 TO ALIGN APPLICATOR'S MAXIMUM WIRE CRIMP HEIGHT AT NORMAL TERMINATOR SHUT HEIGHT

***WARNING**
 ON INSTALLATION, SET WIRE DISC, ITEM 40 TO LARGEST WIRE SIZE SETTING. USE OF SETTINGS BELOW MINIMUM REQUIRED CRIMP HEIGHT SETTING WILL CAUSE DAMAGE TO CRIMP TOOLING.

-	-	1	-	-	-	2119957-2	APPLICATOR SHIM PACK	260
-	1	-	1	1	1	8-21084-0	O-RING, .676 ID, .070 DIA. MAT.	252
-	-	-	-	1	-	2119640-1	PUSH ROD, AIR FEED	250
-	-	-	-	1	-	2079988-1	BUSHING, LCH5-12, MISUMI	249
-	-	-	-	1	-	2119641-1	FEED CAM, AIR FEED	248
-	1	-	1	1	1	2119798-1	DETENT PIN	247
-	1	-	1	1	1	1-22279-3	SPRING, COMPRESSION	246
-	-	1	-	-	-	2119759-1	RAM, AMP STYLE, END FEED, NON-ADJUST	245
-77	-7	-6	-5	-2	-1	PART NO	DESCRIPTION	ITEM NO

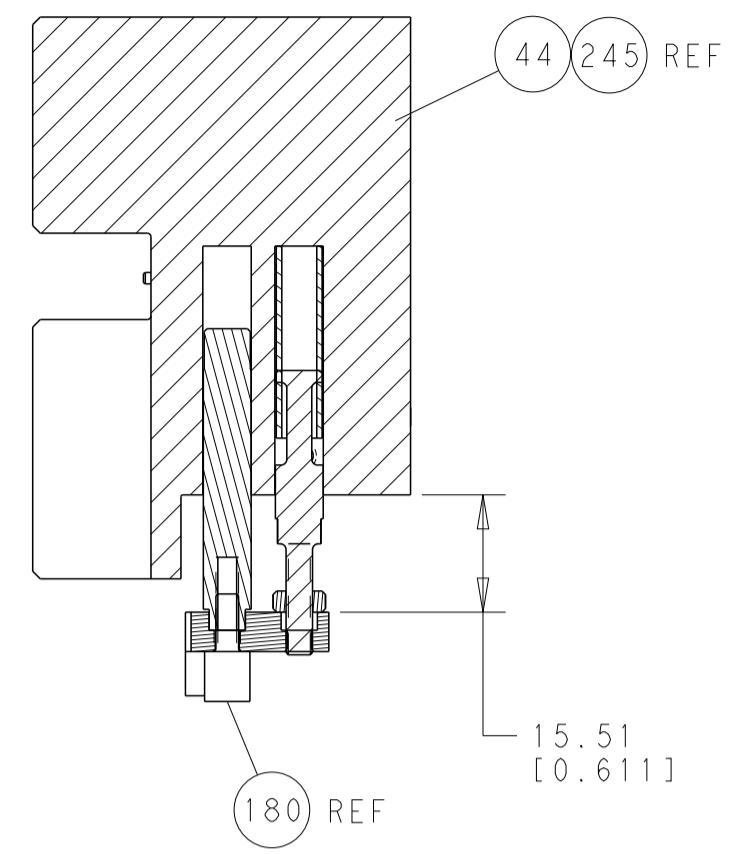
ATLANTIC VERSION
 Shown on sheets 1 of 4 & 2 of 4
 (Pacific version shown on sheets 3 of 4 & 4 of 4)

SET UP GAUGE	LOC	DIST	REVISIONS				
2119599-2	A	66	REV	DATE	BY	APPD	
			A	RELEASED	18NOV2014	RK	TE

-	1	1	1	1	1	2119082-9	CAM, SNAIL, INSULATION ADJUSTMENT	244
-	1	1	1	1	1	2079764-1	WASHER, WAVE SPRING, CREST-TO-CREST	243
-	1	1	1	1	1	2119083-1	RETAINER, INSULATION DIAL	242
-	-	2	2	-	-	2168400-7	SHCS, LOW HEAD, RoHS, M5 X 10	240
-	-	-	-	-	1	2119580-1	MECHANICAL FEED ASSEMBLY	239
-	-	-	-	-	1	2063440-1	AIR FEED MODULE	238
-	-	1	1	-	-	2119740-2	TAG, IDENTIFICATION	213
-	-	REFREF	-	-	-	1901697-1	FEED FINGER ASSEMBLY, EF	183
-	1	1	1	1	1	1-1752354-1	STANDOFF, HOLD-DOWN	180
-	1	1	1	1	1	6-993111-6	PIN, SLOTTED SPRING 3.0 X 14.0	177
-	1	1	1	1	1	8-22280-7	SPRING, COMPRESSION	176
-	1	1	1	1	1	1752353-2	GUIDE PIN, HOLDDOWN	175
-	1	1	1	1	1	1901680-2	GUIDE PIN, HOLDDOWN	174
-	-	-	-	2	-	21045-3	RING, RETAIN, EXTERN, 3/16 CRESCENT	172
-	1	1	1	1	1	994969-1	MAGNET, RARE EARTH HIGH ENERGY	166
-	REFREF	REFREF	REFREF	REFREF	REFREF	994970-2	COUNTER, MAGNETIC	164
-	-	-	-	1	-	240638-1	SPRING, FEED FINGER	163
-	-	-	-	1	-	3-23627-7	PIN, RETAIN, GRVD, 3/16 X .854	137
-	-	REFREF	-	-	-	SEE NOTE 4	MEMORY CHIP, PROGRAMMED	135
-	-	1	1	-	-	1633743-1	SERVO FEED LATCH ASM	133
-	1	1	1	1	1	455888-5	SPACER, CRIMPER	82
-	1	1	1	1	1	2119956-2	DOCUMENTATION PACKAGE	71
-	2	2	2	2	2	2-18032-2	SCR, SET, FLT POINT M3 X 10.0	70
-	1	-	-	1	1	2119740-1	TAG, IDENTIFICATION	67
-	2	2	2	2	2	2168078-1	SCREW, DRIVE, RH, RoHS, 2 x .188	66
-	1	1	1	1	1	1901681-1	HOLDDOWN, TERMINAL	65
-	2	2	2	2	2	2168400-8	SHCS, LOW HEAD, RoHS, M4 X 16	64
-	1	-	1	1	1	2119793-1	LIMITER, ADJUSTMENT BOLT	63
-	3	-	3	3	3	992763-5	SCR, SET, SOC, CONE POINT, M3 X 4.0	62
-	1	1	1	1	1	2079383-4	SCR, BHSC, RoHS (M4 X 8)	60
-	-	-	-	-	1	5-18022-5	SCR, HEX HD CAP, M4 X 6.0	59
-	-	-	-	-	1	2063961-4	FEED FINGER	58
-	3	3	3	3	3	2168400-4	SHCS, LOW HEAD, RoHS, M4 X 8	57
-	2	2	2	2	2	2168083-2	SCR, SKT HD CAP, RoHS, M4 X 8.0	56
-	2	2	2	2	2	5018030-2	NUT, HEX, REG, RoHS, M4	55
-	2	2	2	2	2	5018030-1	NUT, HEX, REG, RoHS, M3	54
-	2	2	2	2	2	986965-8	NUT, LOCK, HEX, TORQUE (M4)	53
-	1	1	1	1	1	1-5018030-0	NUT, HEX, REG, RoHS, M3.5	52
-	-	-	-	1	-	2119792-4	PAWL, EF, AIR	51
-	-	-	-	-	1	18023-9	SCR, SKT HD CAP M4 X 6.0	49
-	-	-	-	-	1	2119652-1	FEED CAM, PRE FEED	48
-	-	-	-	-	1	2119653-1	FEED CAM, POST FEED	47
-	1	1	1	1	1	2119655-5	APPLICATOR BASIC ASSEMBLY, EF	46
-	1	-	1	1	1	2119369-1	RAM, AMP STYLE, END FEED	44
-	1	1	1	1	1	2079383-7	SCR, BHSC, RoHS (M8 X 25)	41
-	1	-	1	1	1	2119645-1	DISC, NUMBERED FA WIRE ADJUSTMENT	40
-	1	-	1	1	1	2119957-1	APPLICATOR SHIM PACK	39
-	1	1	1	1	1	1-2119644-2	RAM WASHER, PRECISION	38
-	1	1	1	1	1	2119085-1	FA HEAD, ATLANTIC STYLE	37
-	1	-	1	1	1	2119092-1	BOLT, ADJUSTMENT	35
-	7	7	7	7	7	1-18028-2	WASHER, FLAT, REG M4	33
-	2	2	2	2	2	2168083-9	SCR, SKT HD CAP, RoHS, M4 X 20	31
-	2	2	2	2	2	1-2168083-0	SCR, SKT HD CAP, RoHS, M4 X 10	29
-	1	1	1	1	1	240639-1	STRIPPER (MACHINING)	27
-	2	2	2	2	2	1320906-1	STUD, THREADED	25
-	1	1	1	1	1	1-1752371-8	PLATE, STRIP GUIDE	24
-	1	1	1	1	1	240825-1	PLATE, STRIP HOLD DOWN	23
-	2	2	2	2	2	2-22281-3	SPRING, COMPRESSION	22
-	1	1	1	1	1	1752373-4	DRAG	20
-	2	2	2	2	2	1901259-3	GUIDE, LOWER STRIP	18
-	4	4	4	4	4	1-2079383-1	SCR, BHSC, RoHS (M6 X 12)	17
-	1	1	1	1	1	1752360-1	SPACER, HOLD-DOWN	13
-	1	1	1	1	1	240833-1	PLATE, REAR SHEAR	11
-	2	2	2	2	2	240645-1	SPACER, SHEAR PLATE	10
-	1	1	1	1	1	690496-6	PLATE, FRONT SHEAR	9
1	1	1	1	1	1	6-1803000-2	ANVIL, COMBINATION, END FEED	8
-	1	1	1	1	1	2217206-1	BLADE, SLUG	7
-	-	-	-	-	-	-	-	6
-	1	1	1	1	1	3-240641-5	SPACER	5
-	1	1	1	1	1	2-238009-7	BLOCK, FL CRIMPER SPACER	4
1	1	1	1	1	1	1-1633961-5	CRIMPER, INSULATION F PREMIUM	3
-	1	1	1	1	1	455888-3	SPACER, CRIMPER	2
1	1	1	1	1	1	3-456406-0	CRIMPER, WIRE PREMIUM	1
-77	-7	-6	-5	-2	-1	PART NO	DESCRIPTION	ITEM NO

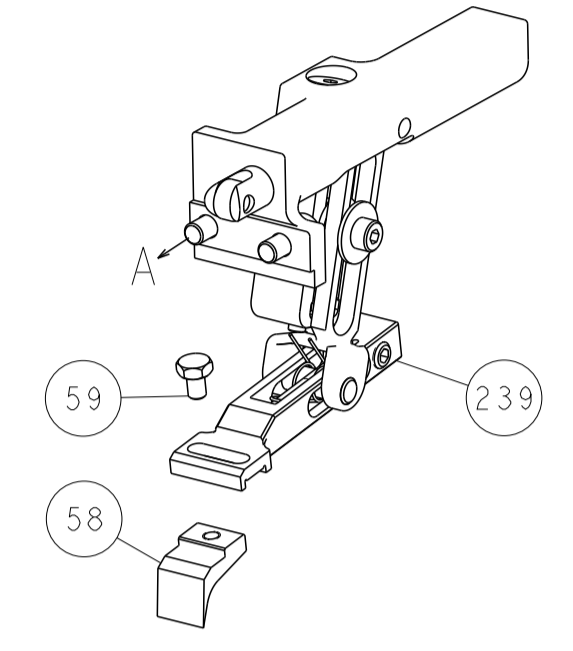
DIMENSIONS:		TOLERANCES UNLESS OTHERWISE SPECIFIED:		DWG		REV	
mm	0 PLC ±.5	1 PLC ±.5	2 PLC ±.13	3 PLC ±.013	4 PLC ±.0001	ANGLES ±.1	FINISH
MATERIAL		FINISH		WEIGHT		SCALE	
-		-		-		-	
Customer Accessible Production Drawing				SCALE 1:1 SHEET 1 OF 4 REV A			

LOC		DIST		REVISIONS			
A	66	P	LTM	DESCRIPTION	DATE	DWN	APVD
		-	-	SEE SHEET 1	-	-	-

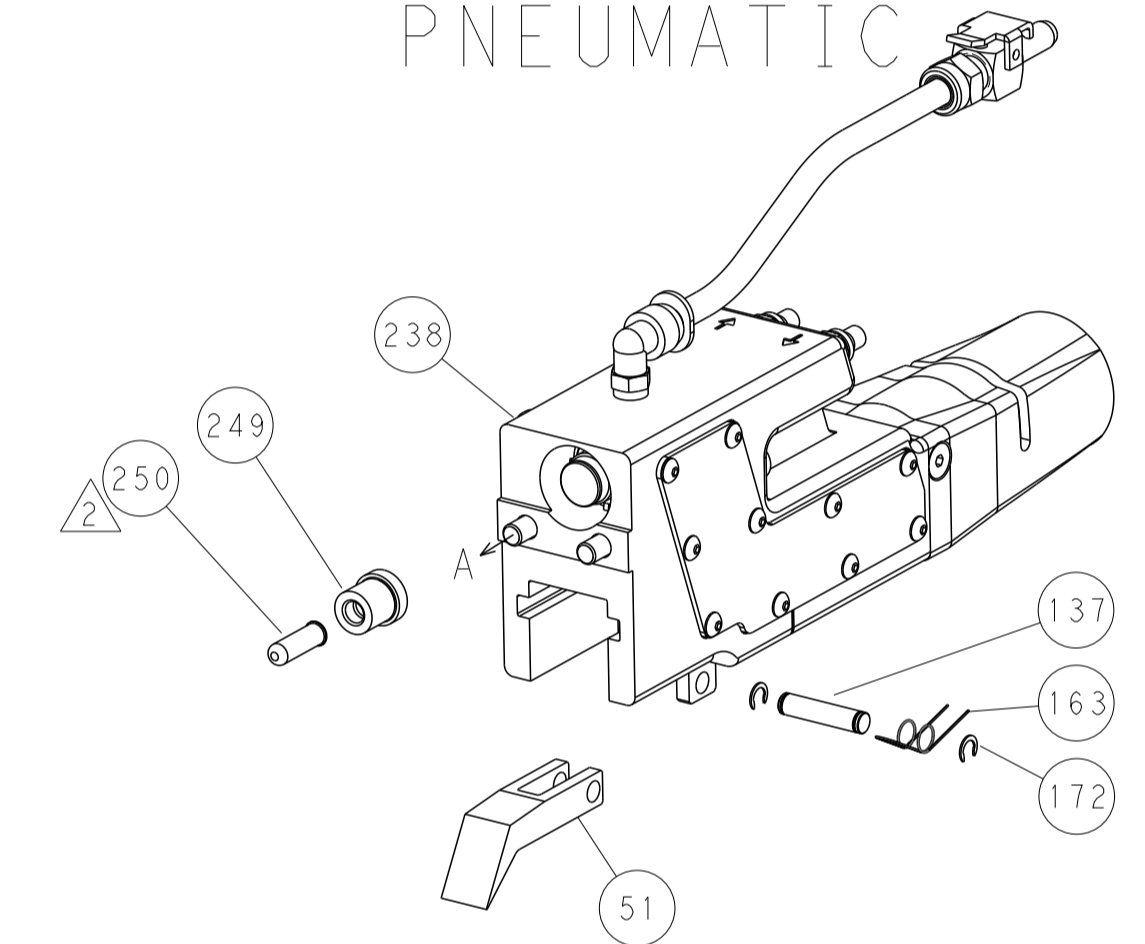


HOLDDOWN SET-UP

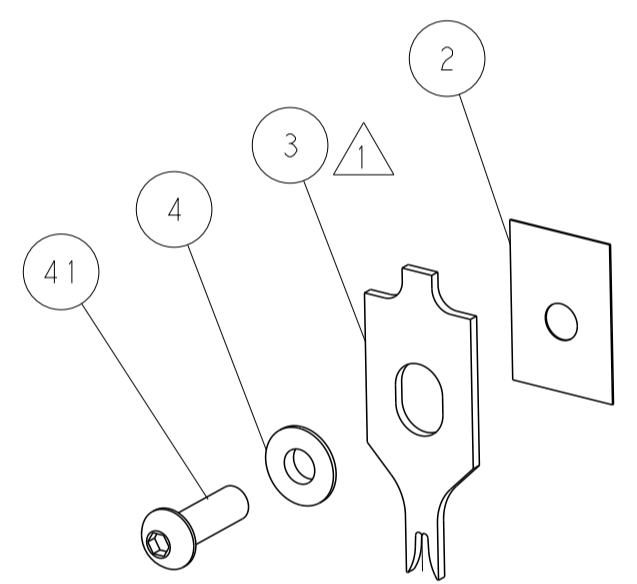
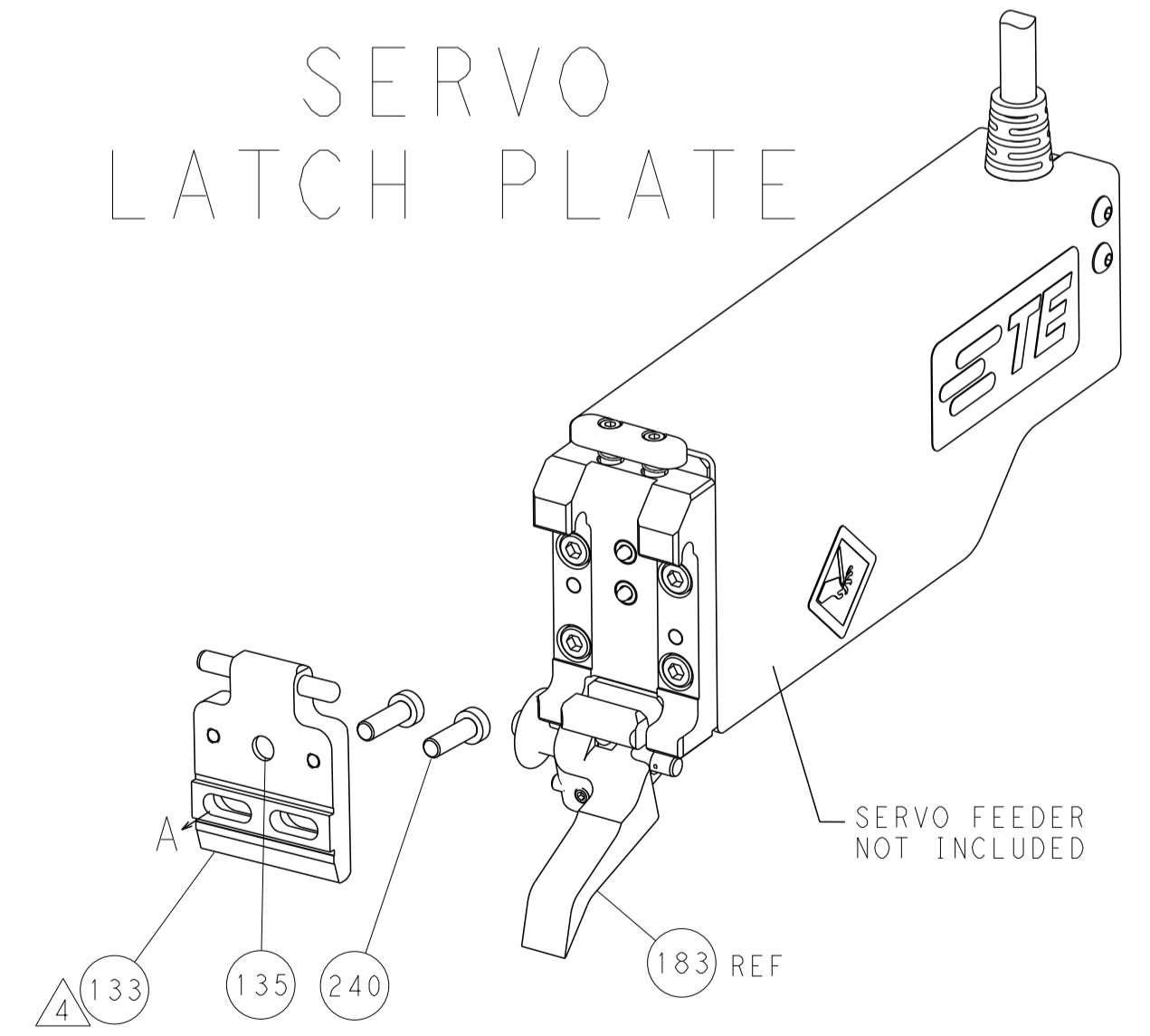
FEED TYPE
MECHANICAL



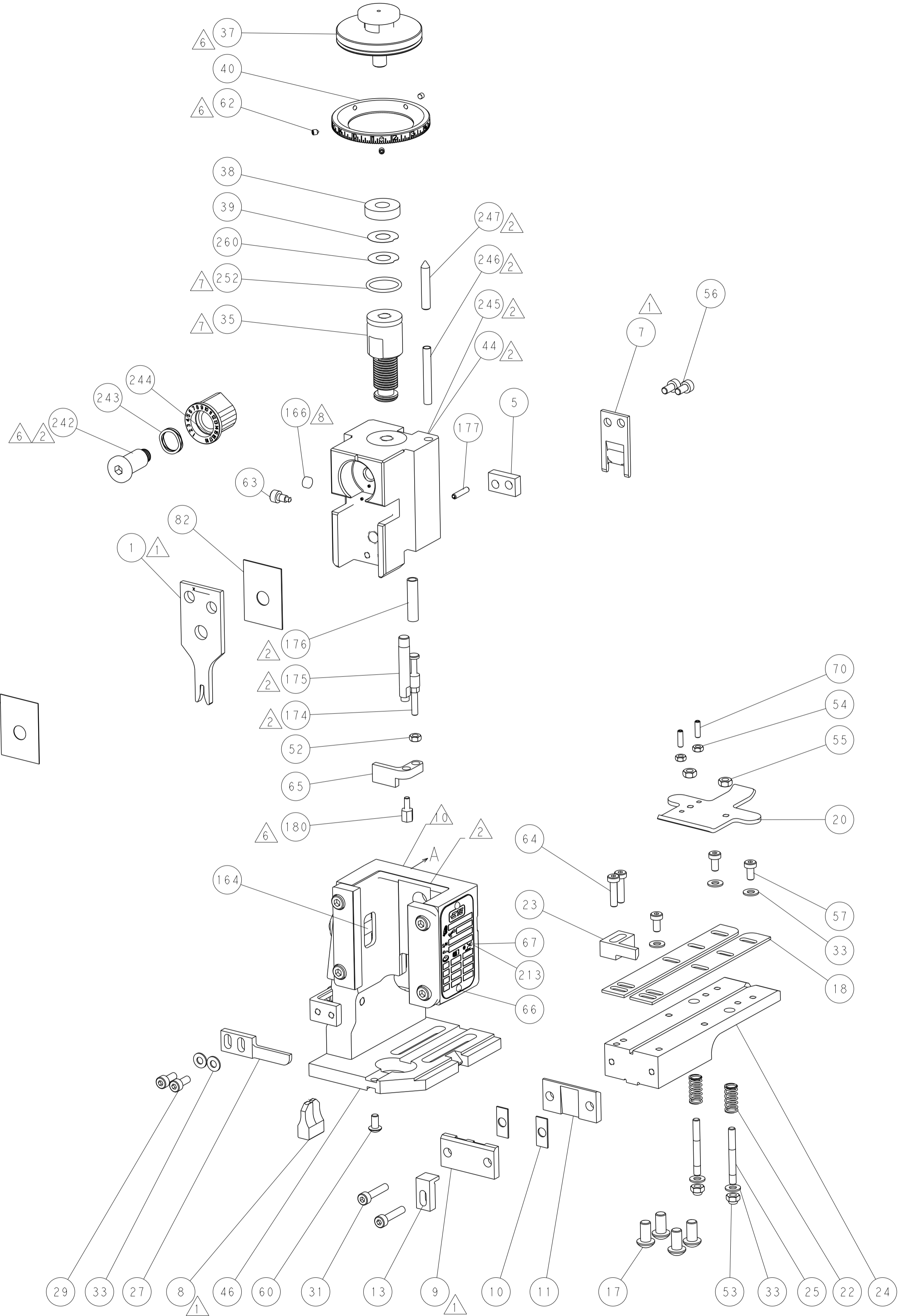
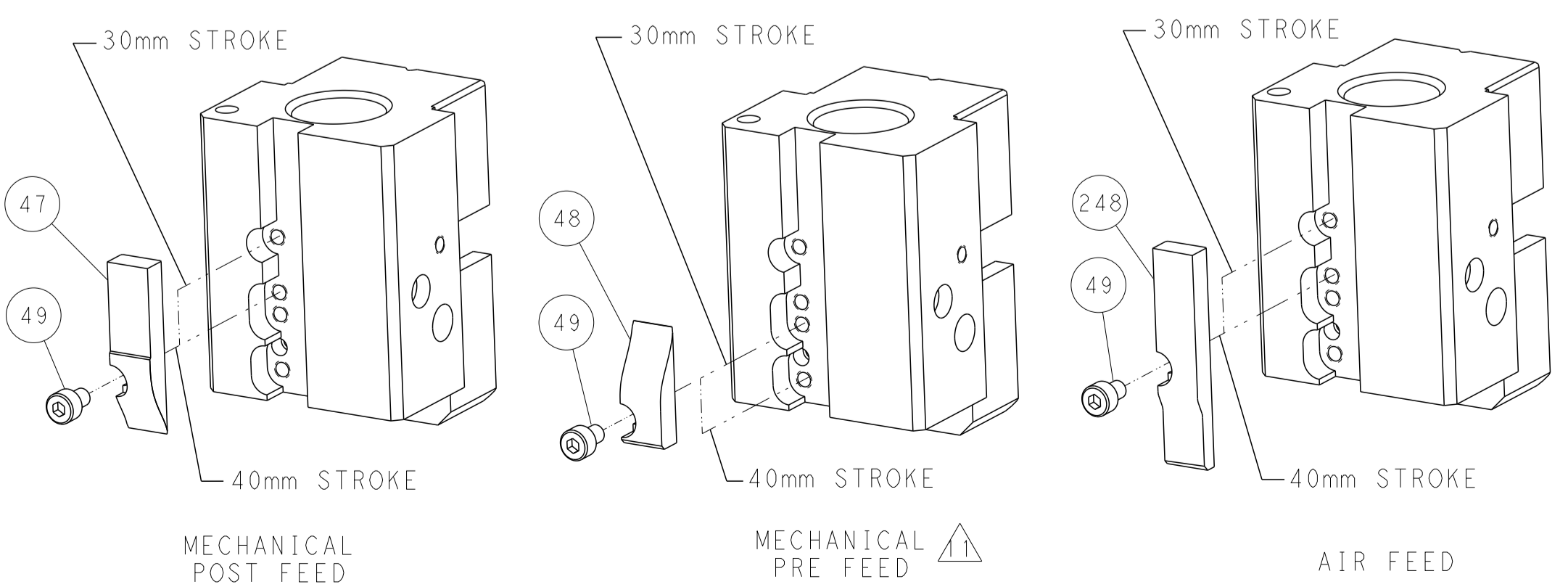
PNEUMATIC



SERVO
LATCH PLATE



CAM POSITIONS



ATLANTIC VERSION
 Shown on sheets 1 of 4 & 2 of 4
 (Pacific version shown on sheets 3 of 4 & 4 of 4)

DIMENSIONS:		TOLERANCES UNLESS OTHERWISE SPECIFIED:		DWN X.ZHAO 21OCT2014		TE Connectivity	
mm		0 PLC ±0.5		CHK L.ZHANG 21OCT2014		Harrisburg, PA 17105-3608	
Ø		1 PLC ±0.13		APVD J.ELBIN 21OCT2014		NAME	
MATERIAL		2 PLC ±0.013		PRODUCT SPEC		Ocean End Feed Applicator	
		3 PLC ±0.001		APPLICATION SPEC		SIZE CAGE CODE DRAWING NO	
		4 PLC ±0.0001		WEIGHT		A1 00779 C=2150497	
		ANGLES FINISH		Customer Accessible Production Drawing		RESTRICTED TO	
				SCALE 1:1		SHEET 2 OF 4 REV A	

PACIFIC VERSION TERMINATOR INTERFACE ADAPTER	PART NUMBER	REVISION	DESCRIPTION	FEED TYPE	APPLICATOR STYLE CONVERSION CHART							
					CONVERT TO	PART NUMBERS REQUIRED						
						PNEUMATIC FEED	2119950-1	2119792-4	-	2119641-2	-	2063440-1
	2-2150497-1	A	FINE CRIMP HEIGHT ADJUST	MECHANICAL	SERVO LATCH PLATE	2119951-1	1901697-1	8-2150497-5	-	-	2168400-7 (QUANTITY 2)	
					SMART APPLICATOR	2161326-1	-	8-2150497-4	-	-	-	
					MECHANICAL FEED	2119949-1	2063961-4	5-18022-5	2119653-2	-	-	
	2-2150497-2	A	FINE CRIMP HEIGHT ADJUST	PNEUMATIC	SERVO LATCH PLATE	2119951-1	1901697-1	8-2150497-5	-	-	2168400-7 (QUANTITY 2)	
					SMART APPLICATOR	2161326-1	-	8-2150497-4	-	-	-	
					MECHANICAL FEED	2119949-1	2063961-4	5-18022-5	2119653-2	-	-	
	2-2150497-5	A	FINE CRIMP HEIGHT ADJUST	SERVO LATCH PLATE	2119950-1	2119792-4	-	-	-	2063440-1		
	2-2150497-7	A	FINE CRIMP HEIGHT ADJUST	NONE	-	-	-	-	-	-		
	7-2150497-7	A	CRIMP TOOLING KIT	-	-	-	-	-	-	-		

APPLICATOR DATA		
CRIMP	SIZE	TYPE
WIRE	2.29 mm (.090)	F
INSUL	3.30 mm (.130)	F
APPL INSTRUCTIONS 408-10390		

TERMINAL DATA: TE TERMINAL		TE CRIMP SPECIFICATION	
TERMINAL NAME: SOCKET MATE-N-LOK			
WIRE STRIP LENGTH 3.96-4.75 mm (.156-.187 IN)		INSULATION DIAMETER RANGE Ø1.78-3.30 mm (.070-.130 IN)	
TERMINAL APPLICATION SPECIFICATION	114-1012	-	-
TERMINALS APPLIED			
TE TERMINAL	TE TERMINAL	TE TERMINAL	TE TERMINAL
160495-2	160537-1	160537-3	
160495-3	160537-2	160537-4	

WIRE SIZE	CRIMP HEIGHT mm [INCH]	CRIMP HEIGHT REFERENCE SETTING
1.00mm2	1.30 +/- 0.05 [.051 +/- .002]	9.1
0.75mm2	1.24 +/- 0.05 [.049 +/- .002]	9.7
0.50mm2	1.19 +/- 0.05 [.047 +/- .002]	10.3

- RECOMMENDED SPARE PARTS
- GREASE BEARING SURFACES LIGHTLY
- LUBRICATE DAILY PER THE APPLICATOR INSTRUCTION SHEET SUPPLIED WITH THE APPLICATOR.
- APPLICATOR SPECIFIC DATA TO BE ENTERED INTO BLANK MEMORY CHIP AT ASSEMBLY. SEE BELOW FOR PART NUMBER:
 MECHANICAL FEED WITH "SMART APPLICATOR" CONVERSION: 8-2150497-4
 PNEUMATIC FEED WITH "SMART APPLICATOR" CONVERSION: 8-2150497-4
 SERVO FEED WITH "FINE CRIMP HEIGHT ADJUST": 8-2150497-5
- ADJUSTMENT OF THE STRIPPER MAY BE REQUIRED WHEN MOVING THE APPLICATOR BETWEEN BENCH AND LEADMAKER APPLICATIONS.
- APPLY PART NUMBER 1-23419-5 LOCTITE TO THREADS OF ITEMS 62 & 180. APPLY PART NUMBER 2-23419-6 LOCTITE TO THREADS OF ITEM 242.
- GREASE THREADS, GROOVE AND O-RING ON ITEMS 139 & 153.
- MAGNET, ITEM 166 MUST BE ORIENTED CORRECTLY IN ORDER TO PROPERLY ACTUATE THE COUNTER.
- CRIMP HEIGHT REFERENCE SETTING WAS THE SETTING USED WHEN THE APPLICATOR WAS QUALIFIED AT THE FACTORY. ADJUSTMENT MAY BE NECESSARY WHEN RUNNING APPLICATOR IN THE FIELD.
- SPARE FEED CAM STORAGE LOCATION REFER TO INSTRUCTION SHEET FOR ADDITIONAL INFORMATION.
- THE RECOMMENDED SET-UP FOR END FEED APPLICATORS IS POST-FEED WITH ITEM 2119653-1. THE APPLICATOR CAN BE CONFIGURED FOR PRE-FEED WITH ITEM 2119652-1 BUT MAY ENCOUNTER PROBLEMS WITH SOME APPLICATIONS. FEED ISSUES OR TERMINAL JAMMING MAY OCCUR IN THE PRE-FEED CONFIGURATION.

***WARNING**
 ON INSTALLATION, SET WIRE DISC, ITEM 40 TO LARGEST WIRE SIZE SETTING. USE OF SETTINGS BELOW MINIMUM REQUIRED CRIMP HEIGHT SETTING WILL CAUSE DAMAGE TO CRIMP TOOLING.

-77-27-25-22-21	PART NO	DESCRIPTION	ITEM NO
1 1 1 1 1	2119782-1	FINE ADJUST HEAD ASM, PACIFIC STYLE	251
- - - 1 -	2119640-1	PUSH ROD, AIR FEED	250
- - - 1 -	2079988-1	BUSHING, LCH5-12, MISUMI	249
- 1 1 1 1 1	1-22279-3	SPRING, COMPRESSION	246
- 1 1 1 1 1	2119082-9	CAM, SNAIL, INSULATION ADJUSTMENT	244
- 1 1 1 1 1	2079764-1	WASHER, WAVE SPRING, CREST-TO-CREST	243

PACIFIC VERSION
 Shown on sheets 3 of 4 & 4 of 4
 (Atlantic version shown on sheets 1 of 4 & 2 of 4)

SET UP GAUGE	LOC	DIST	REVISIONS			
2119599-2	A	66	REV	DATE	BY	APPV
-	-	-	1	-	-	-
SEE SHEET 1			-	-	-	-

REV	DATE	BY	APPV	DESCRIPTION	DATE	BY	APPV
-	-	-	-	RETAINER, INSULATION DIAL	-	-	242
-	-	-	-	SHCS, LOW HEAD, RoHS, M5 X 10	-	-	240
-	-	-	-	MECHANICAL FEED ASSEMBLY	-	-	239
-	-	-	-	AIR FEED MODULE	-	-	238
-	-	-	-	TAG, IDENTIFICATION	-	-	213
-	-	-	-	SCR, BHSC, RoHS (M6 X 20)	-	-	186
-	-	-	-	FEED FINGER ASSEMBLY, EF	-	-	183
-	-	-	-	STANDOFF, HOLD-DOWN	-	-	180
-	-	-	-	PIN, SLOTTED SPRING 3.0 X 14.0	-	-	177
-	-	-	-	SPRING, COMPRESSION	-	-	176
-	-	-	-	GUIDE PIN, HOLDDOWN	-	-	175
-	-	-	-	GUIDE PIN, HOLDDOWN	-	-	174
-	-	-	-	RING, RETAIN, EXTERN, 3/16 CRESCENT	-	-	172
-	-	-	-	MAGNET, RARE EARTH HIGH ENERGY	-	-	166
-	-	-	-	COUNTER, MAGNETIC	-	-	164
-	-	-	-	SPRING, FEED FINGER	-	-	163
-	-	-	-	O-RING, .801 ID, .070 DIA. MAT.	-	-	153
-	-	-	-	FEED CAM, AIR FEED	-	-	152
-	-	-	-	DETENT PIN	-	-	145
-	-	-	-	SCR, BHSC, RoHS (M4 X 16)	-	-	144
-	-	-	-	FEED CAM, POST FEED	-	-	142
-	-	-	-	APPLICATOR BASIC ASSEMBLY, EF	-	-	141
-	-	-	-	RAM, ASIAN STYLE, END FEED	-	-	140
-	-	-	-	BOLT, ADJUSTMENT	-	-	139
-	-	-	-	PIN, RETAIN, GRVD, 3/16 X .854	-	-	137
-	-	-	-	MEMORY CHIP, PROGRAMMED	-	-	135
-	-	-	-	SERVO FEED LATCH ASM	-	-	133
-	-	-	-	SPACER, CRIMPER	-	-	82
-	-	-	-	DOCUMENTATION PACKAGE	-	-	71
-	-	-	-	SCR, SET, FLT POINT M3 X 10.0	-	-	70
-	-	-	-	TAG, IDENTIFICATION	-	-	67
-	-	-	-	SCREW, DRIVE, RH, RoHS, 2 X .188	-	-	66
-	-	-	-	HOLDDOWN, TERMINAL	-	-	65
-	-	-	-	SHCS, LOW HEAD, RoHS, M4 X 16	-	-	64
-	-	-	-	LIMITER, ADJUSTMENT BOLT	-	-	63
-	-	-	-	SCR, SET, SOC, CONE POINT, M3 X 4.0	-	-	62
-	-	-	-	SCR, HEX HD CAP, M4 X 6.0	-	-	59
-	-	-	-	FEED FINGER	-	-	58
-	-	-	-	SHCS, LOW HEAD, RoHS, M4 X 8	-	-	57
-	-	-	-	SCR, SKT HD CAP, RoHS, M4 X 8.0	-	-	56
-	-	-	-	NUT, HEX, REG, RoHS, M4	-	-	55
-	-	-	-	NUT, HEX, REG, RoHS, M3	-	-	54
-	-	-	-	NUT, LOCK, HEX, TORQUE (M4)	-	-	53
-	-	-	-	NUT, HEX, REG, RoHS, M3.5	-	-	52
-	-	-	-	PAWL, EF, AIR	-	-	51
-	-	-	-	SCR, SKT HD CAP M4 X 6.0	-	-	49
-	-	-	-	FEED CAM, PRE FEED	-	-	48
-	-	-	-	SCR, BHSC, RoHS (M8 X 25)	-	-	41
-	-	-	-	DISC, NUMBERED FA WIRE ADJUSTMENT	-	-	40
-	-	-	-	APPLICATOR SHIM PACK	-	-	39
-	-	-	-	RAM WASHER, PRECISION	-	-	38
-	-	-	-	WASHER, FLAT, REG M4	-	-	33
-	-	-	-	SCR, SKT HD CAP, RoHS, M4 X 20	-	-	31
-	-	-	-	SCR, SKT HD CAP, RoHS, M4 X 10	-	-	29
-	-	-	-	STRIPPER (MACHINING)	-	-	27
-	-	-	-	STUD, THREADED	-	-	25
-	-	-	-	PLATE, STRIP GUIDE	-	-	24
-	-	-	-	PLATE, STRIP HOLD DOWN	-	-	23
-	-	-	-	SPRING, COMPRESSION	-	-	22
-	-	-	-	DRAG	-	-	20
-	-	-	-	GUIDE, LOWER STRIP	-	-	18
-	-	-	-	SPACER, HOLD-DOWN	-	-	13
-	-	-	-	PLATE, REAR SHEAR	-	-	11
-	-	-	-	SPACER, SHEAR PLATE	-	-	10
-	-	-	-	PLATE, FRONT SHEAR	-	-	9
-	-	-	-	ANVIL, COMBINATION, END FEED	-	-	8
-	-	-	-	BLADE, SLUG	-	-	7
-	-	-	-	-	-	-	6
-	-	-	-	SPACER	-	-	5
-	-	-	-	BLOCK, FL CRIMPER SPACER	-	-	4
-	-	-	-	CRIMPER, INSULATION F PREMIUM	-	-	3
-	-	-	-	SPACER, CRIMPER	-	-	2
-	-	-	-	CRIMPER, WIRE PREMIUM	-	-	1

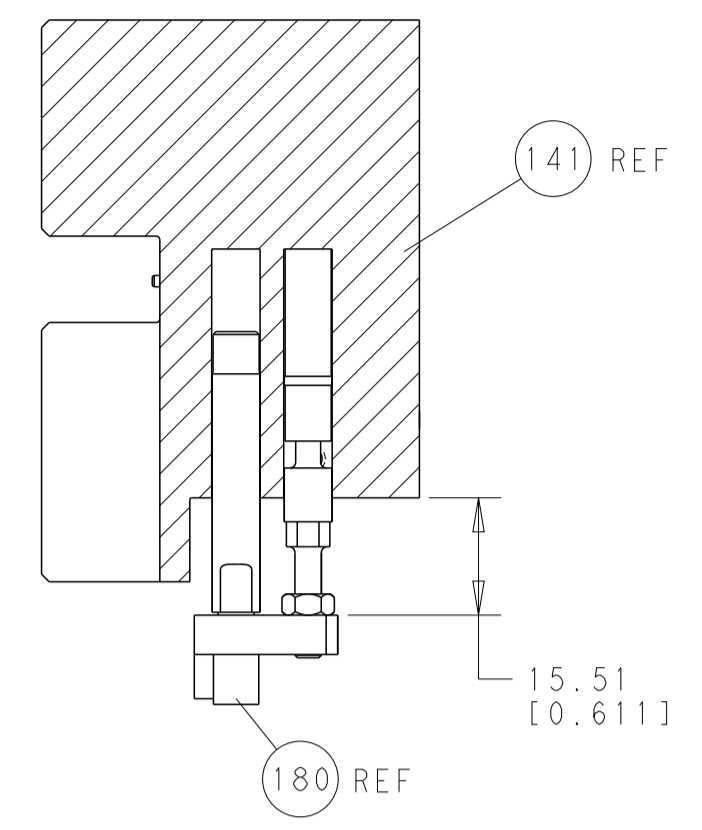
DIMENSIONS:		TOLERANCES UNLESS OTHERWISE SPECIFIED:		DWG		CHK		APPV		NAME	
mm	0 PLC ±.5	1 PLC ±.3	2 PLC ±.2	3 PLC ±.15	4 PLC ±.1	5 PLC ±.075	6 PLC ±.05	7 PLC ±.0375	8 PLC ±.025	9 PLC ±.01875	10 PLC ±.0125
	ANGLES ±.0001	FINISH									
MATERIAL		WEIGHT		SCALE		SHEET		OF		REV	
				1:1		3		4		A	

STE TE Connectivity
 Harrisburg, PA 17105-3608

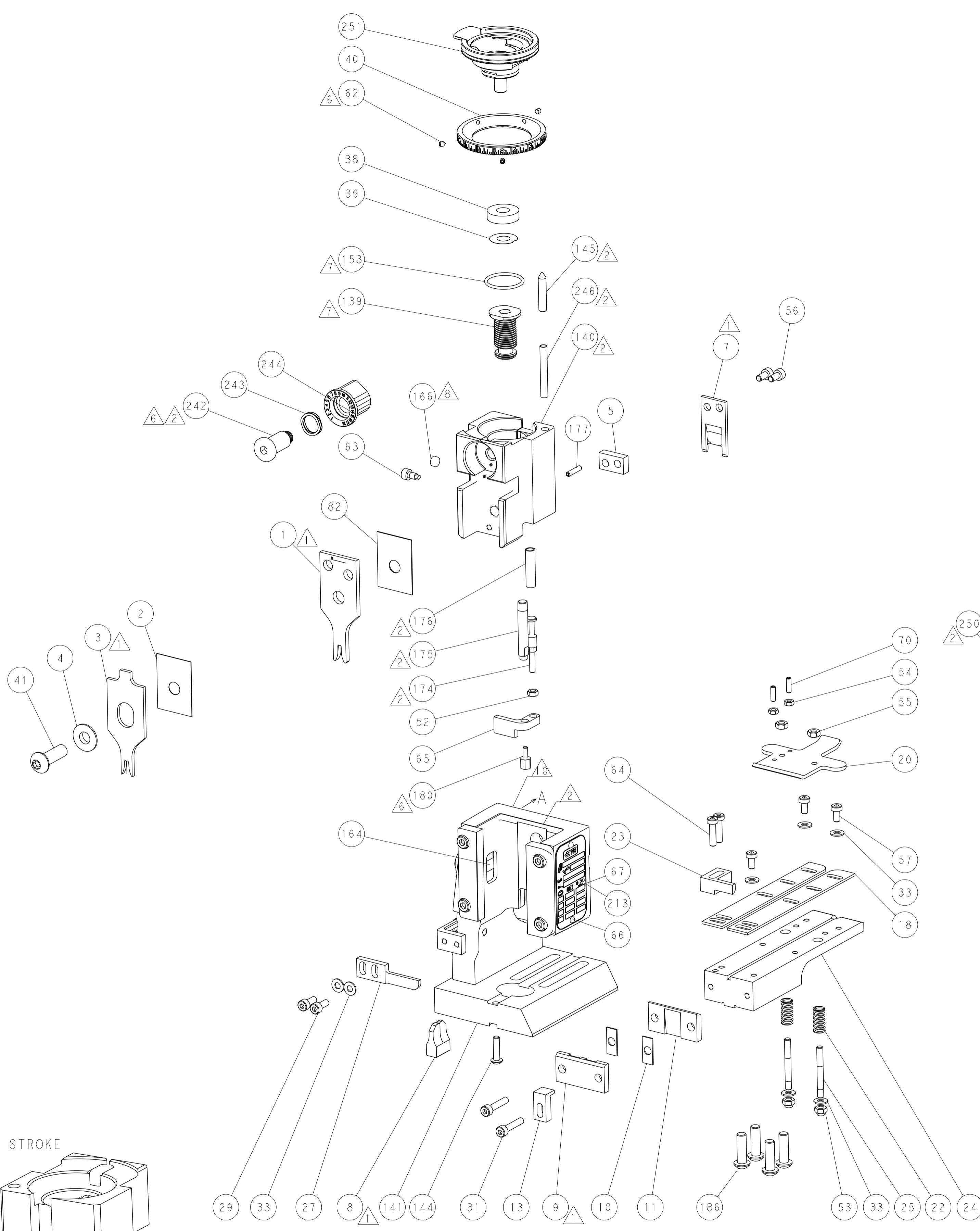
Ocean End Feed
 Applicator

Customer Accessible Production Drawing

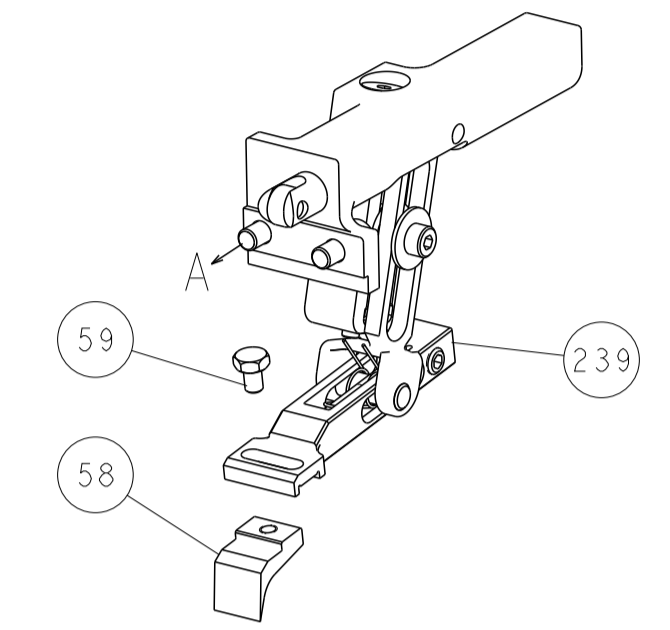
LOC		DIST		REVISIONS			
A	66	P	LTM	DESCRIPTION	DATE	OWN	APVD
		-		SEE SHEET 1			



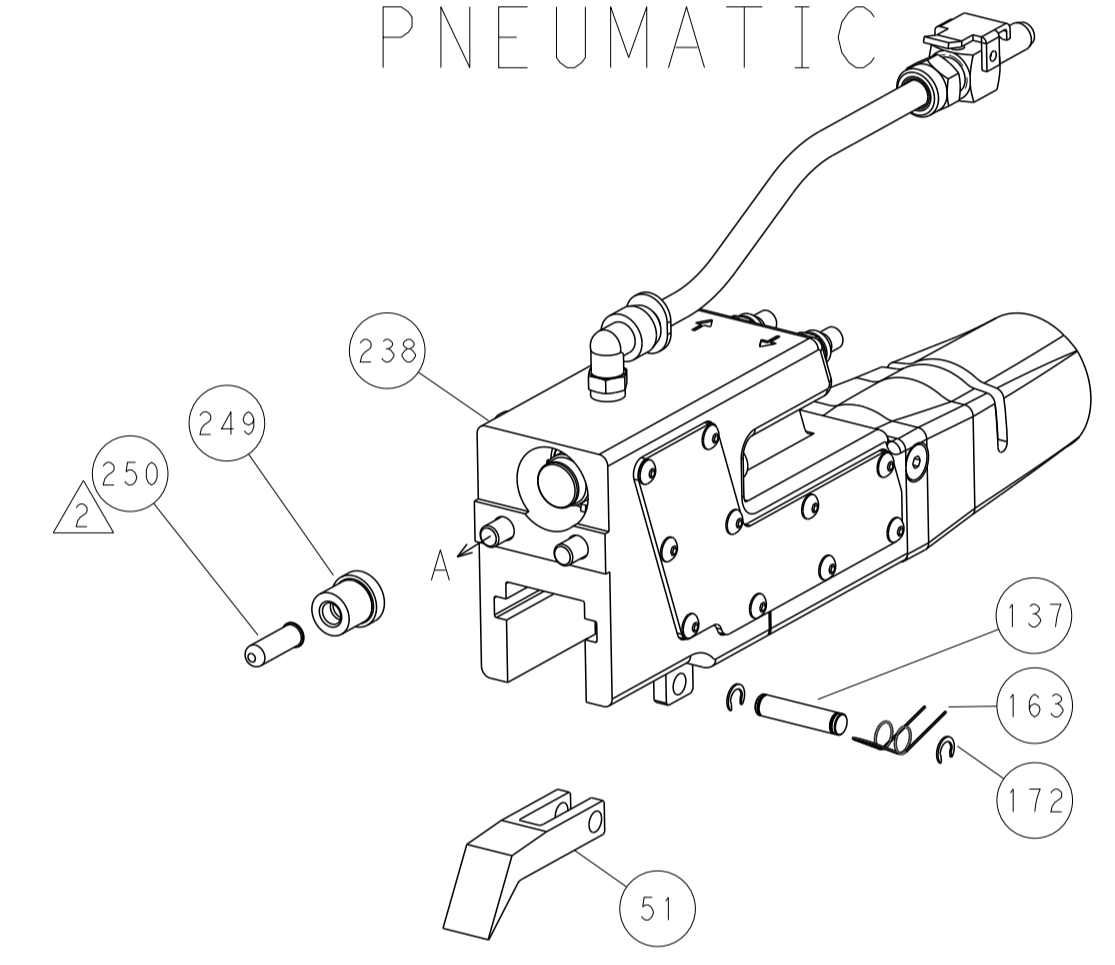
HOLDDOWN SET-UP



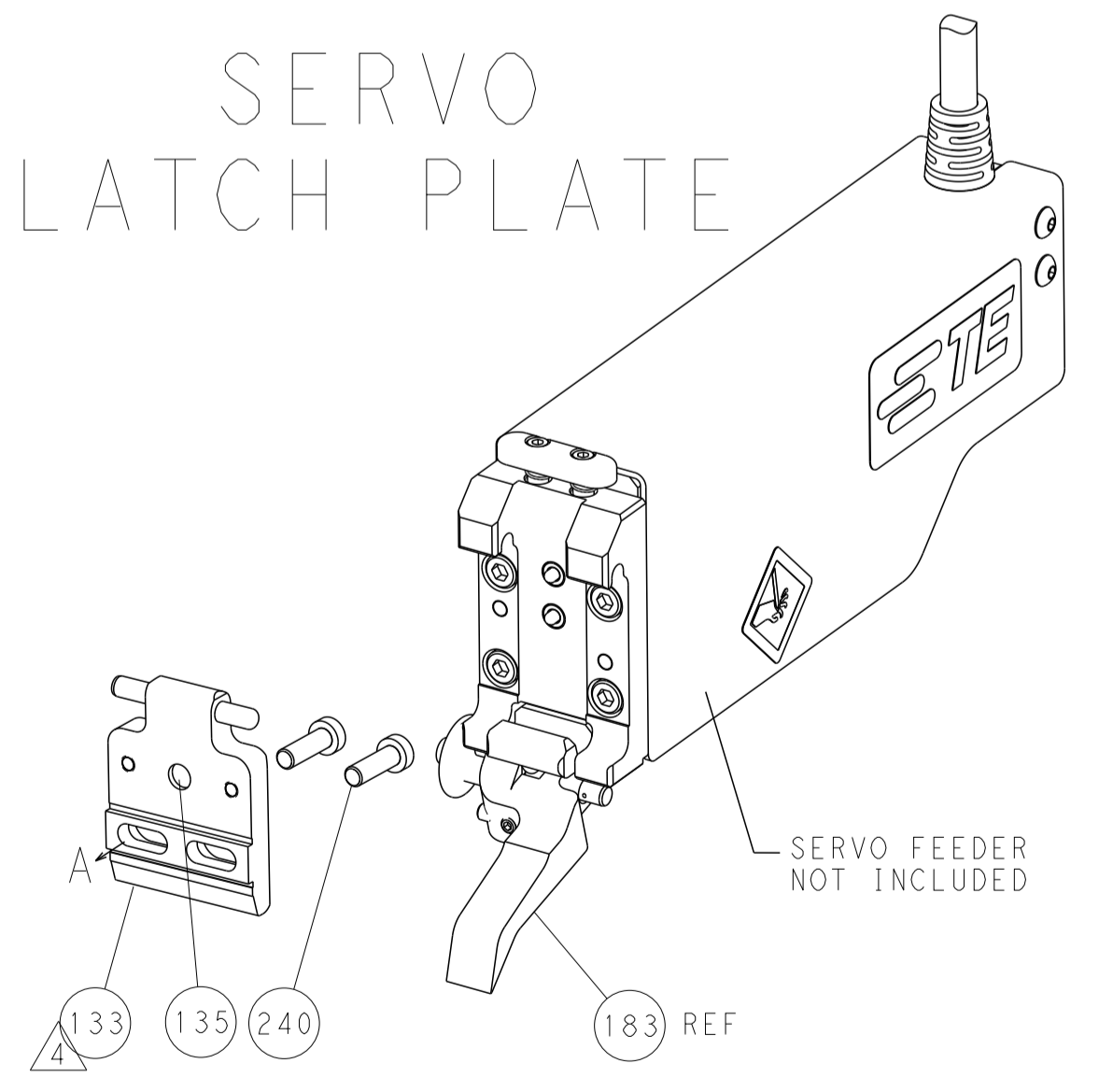
FEED TYPE
MECHANICAL



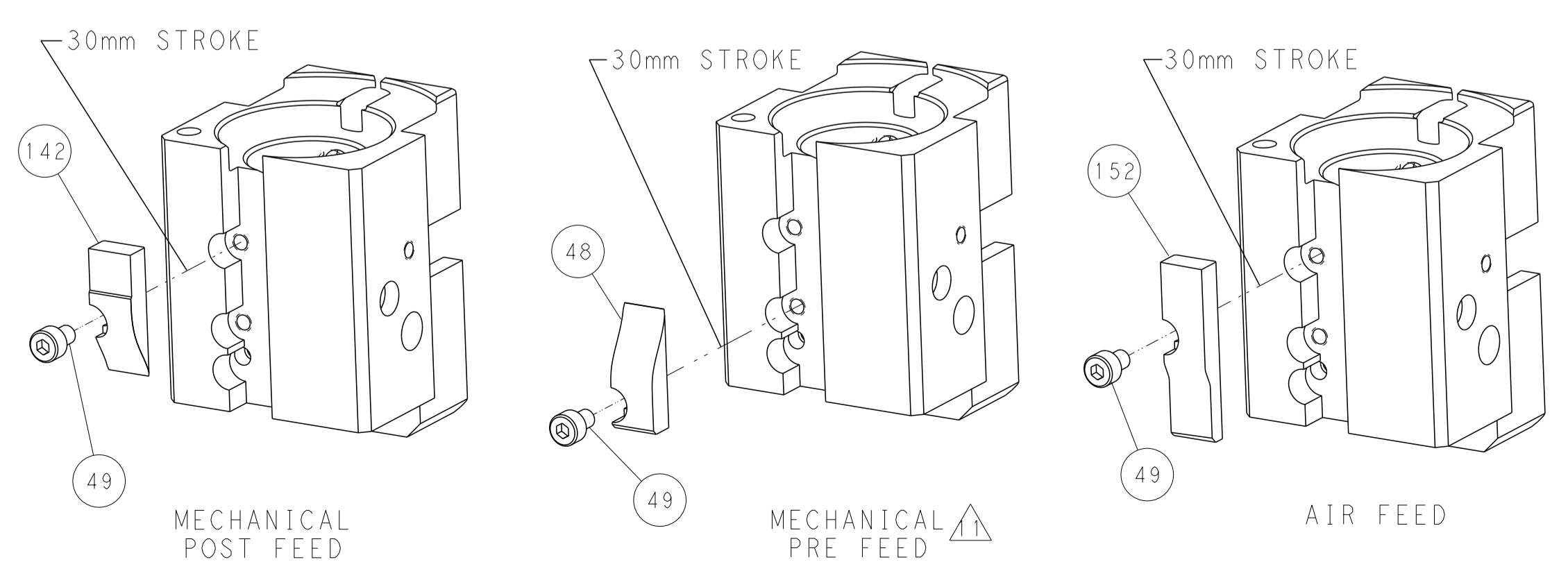
PNEUMATIC



SERVO LATCH PLATE



CAM POSITIONS



DIMENSIONS:		TOLERANCES UNLESS OTHERWISE SPECIFIED:		DWN X. ZHAO 21OCT2014		STE TE Connectivity	
mm	0 PLC ±0.5	1 PLC ±0.5	2 PLC ±0.13	3 PLC ±0.013	4 PLC ±0.001	APVD L. ZHANG 21OCT2014	Harrisburg, PA 17105-3608
MATERIAL:	FINISH:	WEIGHT:	SCALE:	SIZE:	CAGE CODE:	DRAWING NO:	RESTRICTED TO:
			1:1	A1	00779	2150497	
Customer Accessible Production Drawing				SHEET 4 OF 4 REV A			