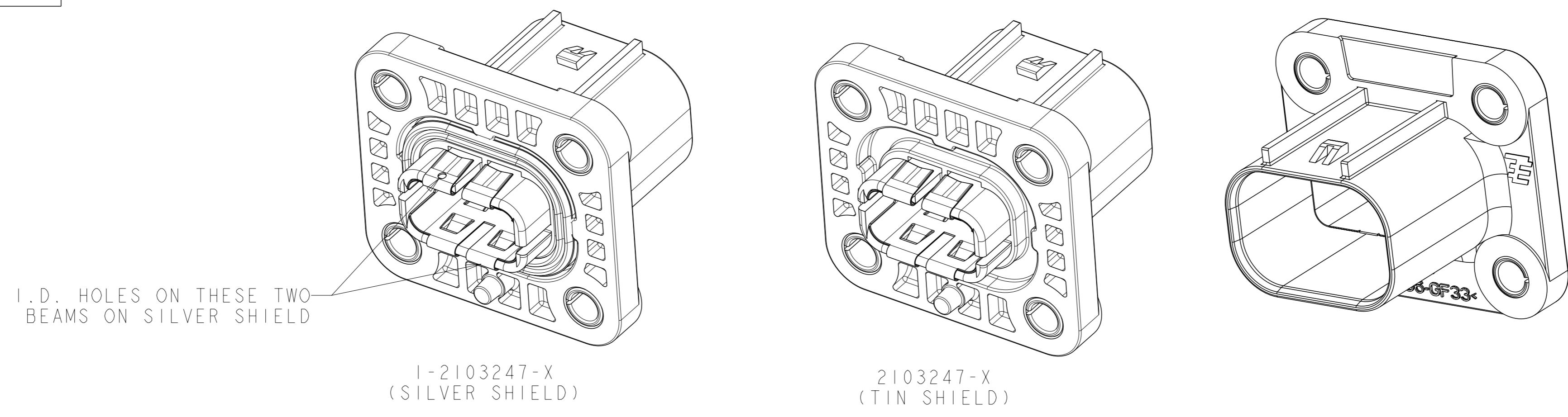


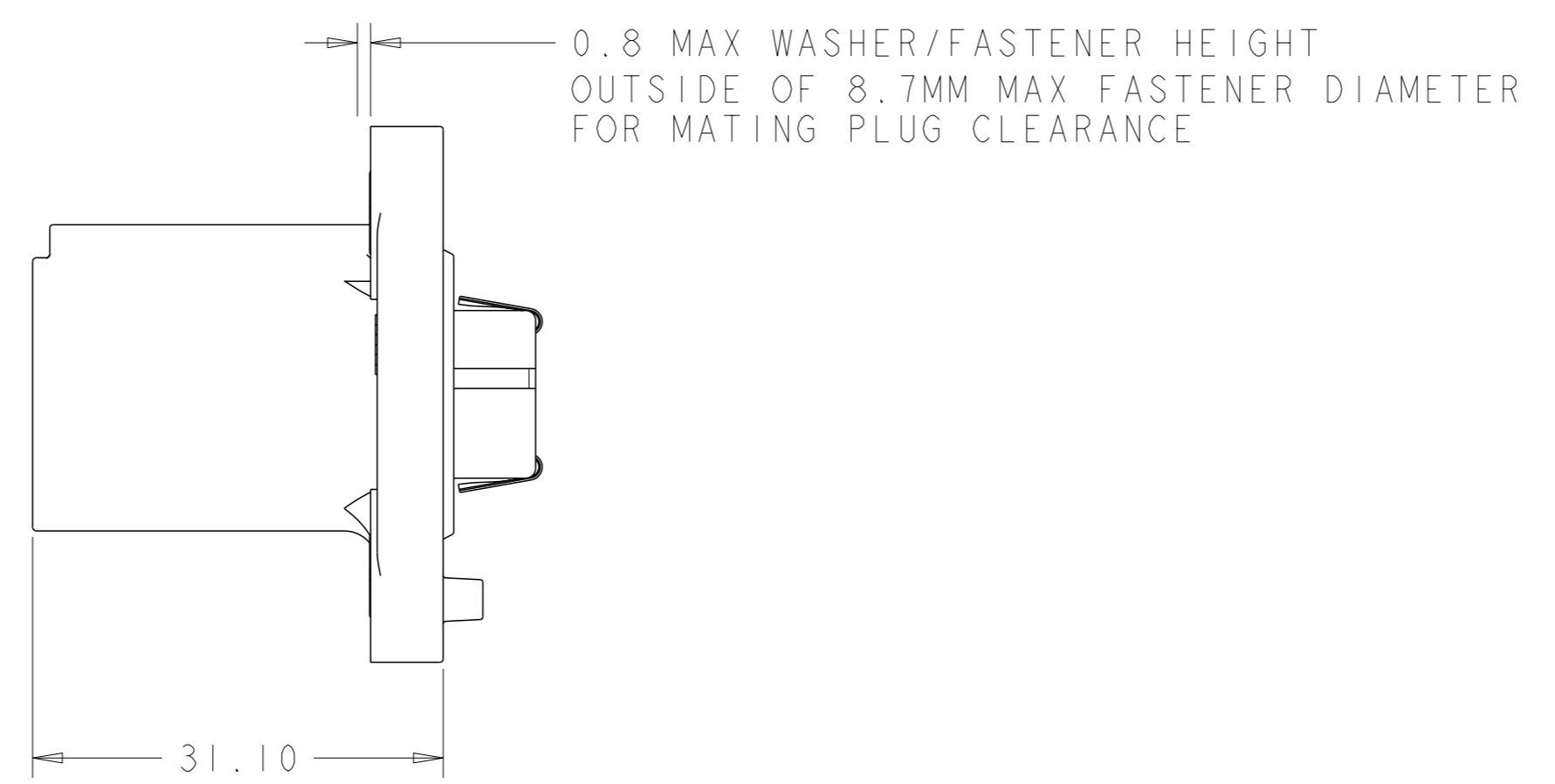
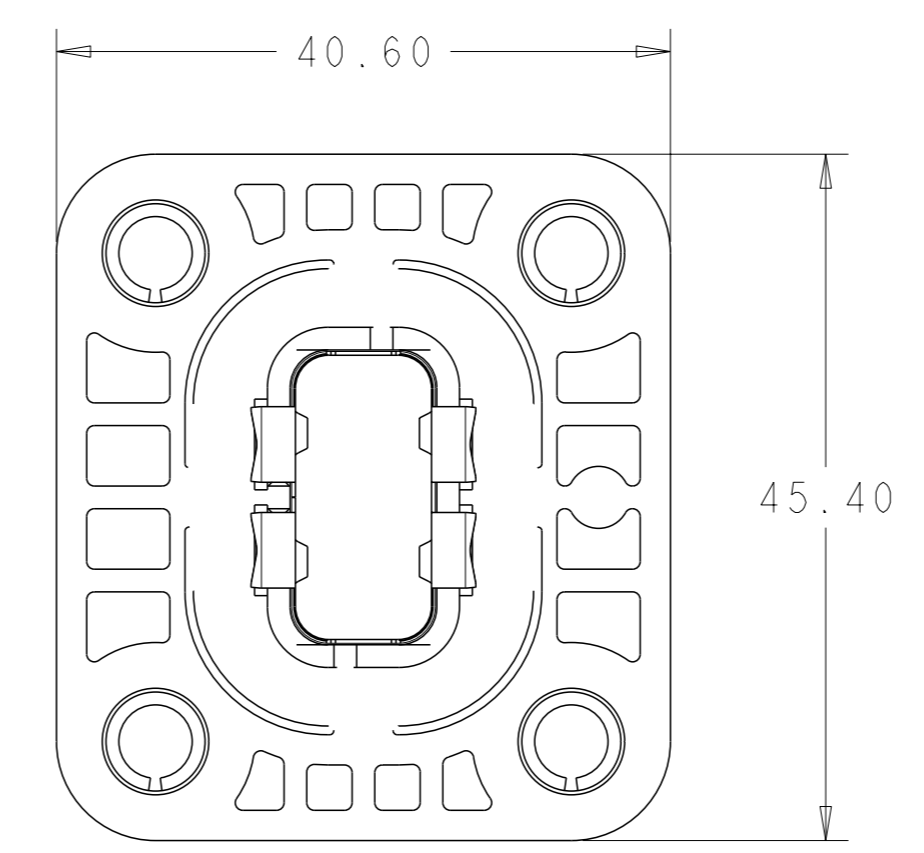
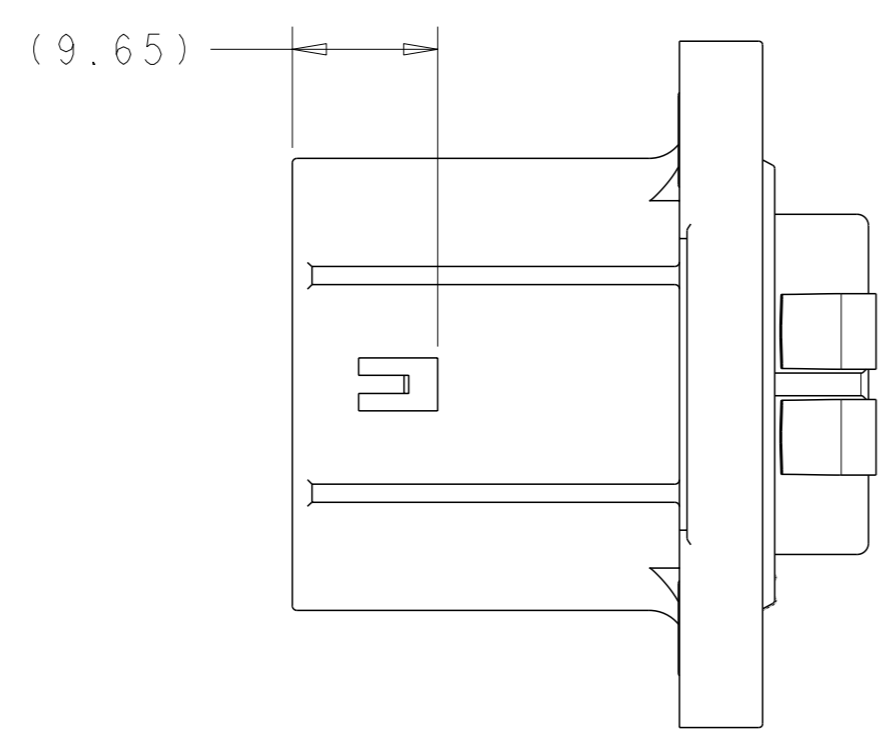
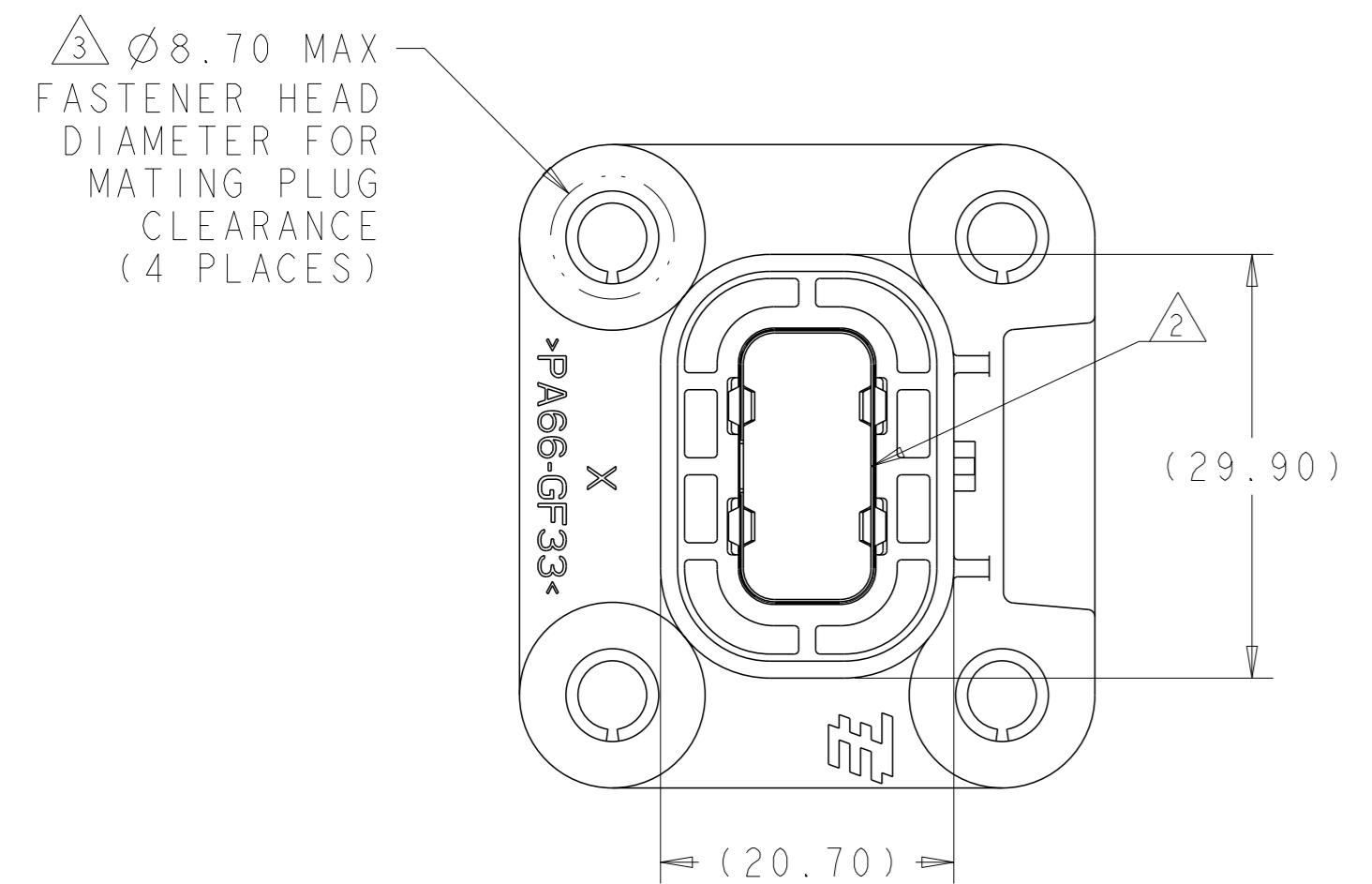
REVISIONS				
P	LYR	DESCRIPTION	DATE	OWN APVD
A1		ECR-13-012661	08AUG2013	TD TD
A2		ECO-15-016378	12NOV2015	DS YS



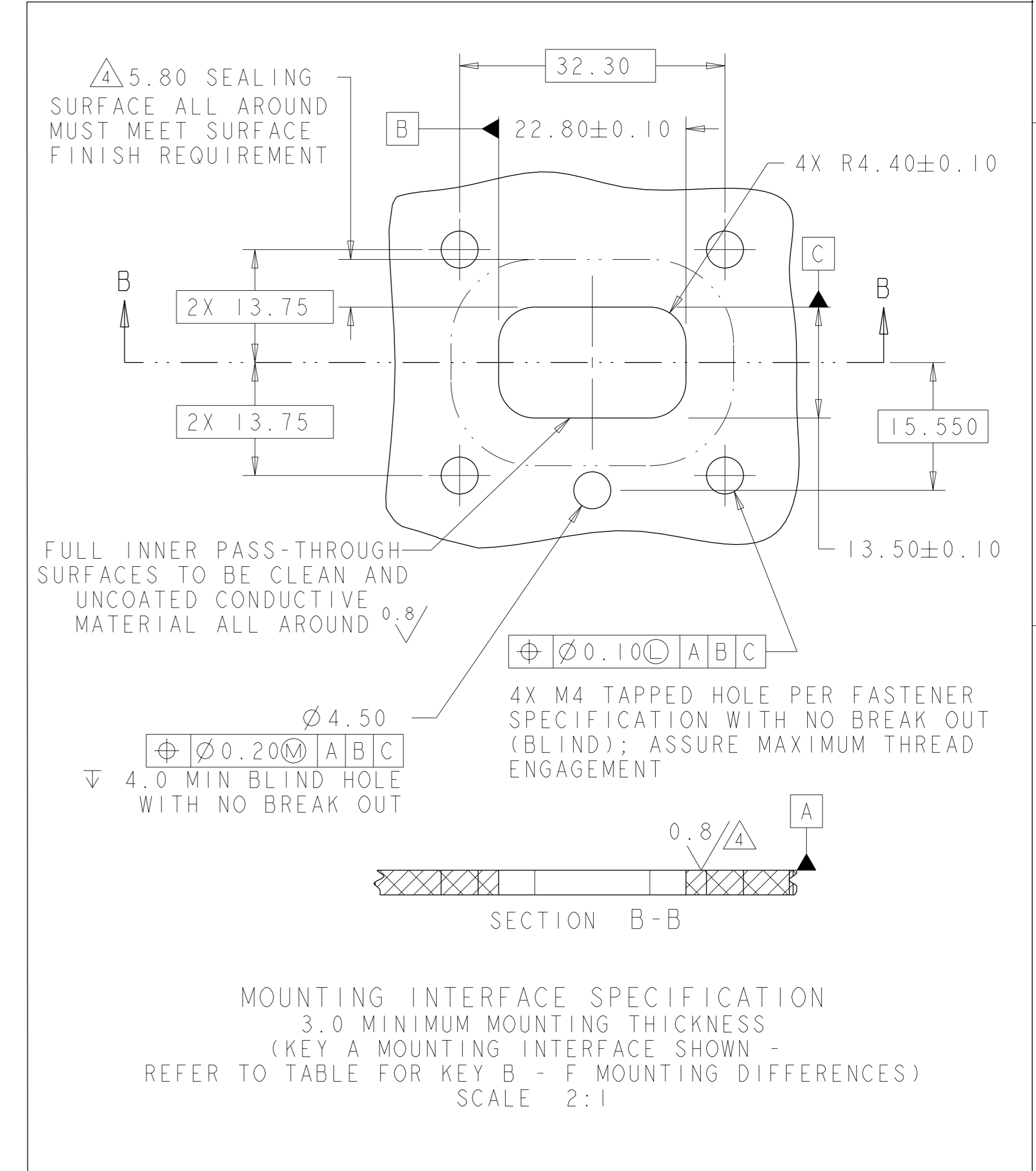
I.D. HOLES ON THESE TWO BEAMS ON SILVER SHIELD

1-2103247-X (SILVER SHIELD)

2103247-X (TIN SHIELD)



- 1 IDENTIFICATION MARKING ON THIS SURFACE CONTAINS ASSEMBLY P/N AND DATE CODE (YYDD). TEXT ORIENTATION, SIZE, AND LOCATION CAN VARY AS LONG AS TEXT IS ON SURFACE SHOWN AND READABLE.
- 2 SHIELD SEAM CAN BE POSITIONED AS SHOWN OR ROTATED 180° FROM POSITION SHOWN.
- 3 THESE DIMENSIONS DEFINE FASTENER SIZE LIMITS FOR PROPER COMPONENT FUNCTIONALITY. END USER MUST ENSURE FASTENER AND/OR WASHER DIAMETER IS 8.6 MM MIN FOR PROPER RETENTION. THESE ARE NOT PRODUCT FEATURES - NO INSPECTION REQUIRED FOR THESE ITEMS.
- 4 SURFACE FINISH APPLIES IN THIS AREA
- 5 NOTE DELETED



SHIELD FINISH	INDEX	PART NO
SILVER	F	1-2103247-6
SILVER	E	1-2103247-5
SILVER	D	1-2103247-4
SILVER	B	1-2103247-2
SILVER	A	1-2103247-1
TIN	F	2103247-6
TIN	E	2103247-5
TIN	D	2103247-4
TIN	B	2103247-2
TIN	A	2103247-1

THIS DRAWING IS A CONTROLLED DOCUMENT.

OWN: A DEHAZAL ZUMAR2012
 CHK: A DEHAZAL ZUMAR2012
 APVD: A DEHAZAL ZUMAR2012

TOLERANCES UNLESS OTHERWISE SPECIFIED:
 DIMENSIONS: mm
 0 PLC ±0.50
 1 PLC ±0.50
 2 PLC ±0.15
 3 PLC ±0.05
 4 PLC ±
 ANGLES FINISH ±3

MATERIAL: -
 WEIGHT: -

CUSTOMER DRAWING

TE Connectivity

NAME: SPLIT HEADER ASSY, HVA 280 2P W/HVIL - PLASTIC CHART DRAWING

SIZE: A1
 CAGE CODE: 00779
 DRAWING NO: 2103247

RESTRICTED TO: -

SCALE: 2:1 SHEET 1 OF 2 REV: A2

REVISIONS				
#	DATE	DESCRIPTION	OWN	APVD
-	-	SEE SHEET 1	-	-

	X-2103247-1 (KEY A)	X-2103247-2 (KEY B)	X-2103247-4 (KEY D)	X-2103247-5 (KEY E)	X-2103247-6 (KEY F)
FRONT VIEW					
SIDE VIEW					
REAR VIEW					
INTERFACE VIEW - MOUNTING SIDE					
	KEY A MOUNTING INTERFACE	KEY B MOUNTING INTERFACE	KEY D MOUNTING INTERFACE	KEY E MOUNTING INTERFACE	KEY F MOUNTING INTERFACE

THIS DRAWING IS A CONTROLLED DOCUMENT.

OWN	A DEHAZAL	ZOMAR2012
CHK	A DEHAZAL	ZOMAR2012
APVD	A DEHAZAL	ZOMAR2012

STE TE Connectivity

NAME: SPLIT HEADER ASSY, HVA 280 2P
 W/HVIL - PLASTIC
 CHART DRAWING

SIZE: A1 CAGE CODE: 100779 DRAWING NO: 2103247
 WEIGHT: -
 MATERIAL: -
 FINISH: -
 CUSTOMER DRAWING

SCALE: 2:1 SHEET 2 OF 2 REV: A2